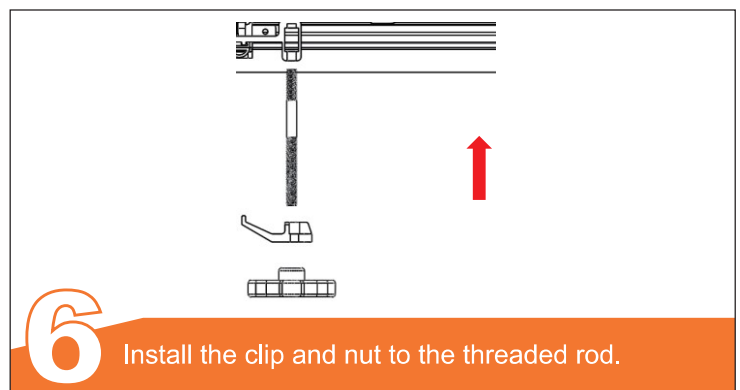
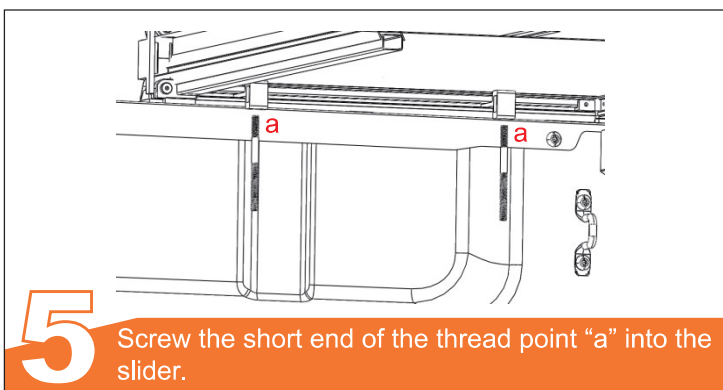
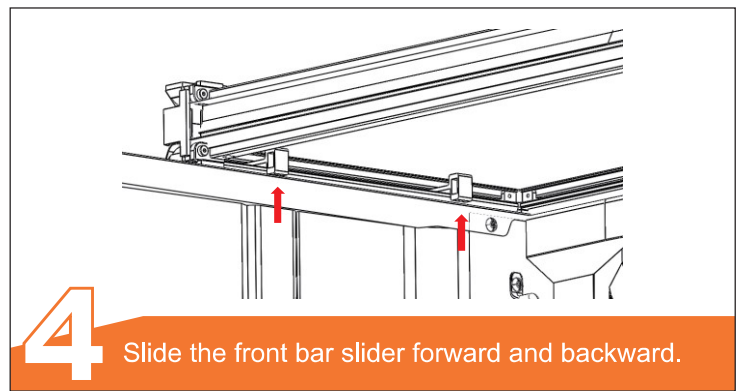
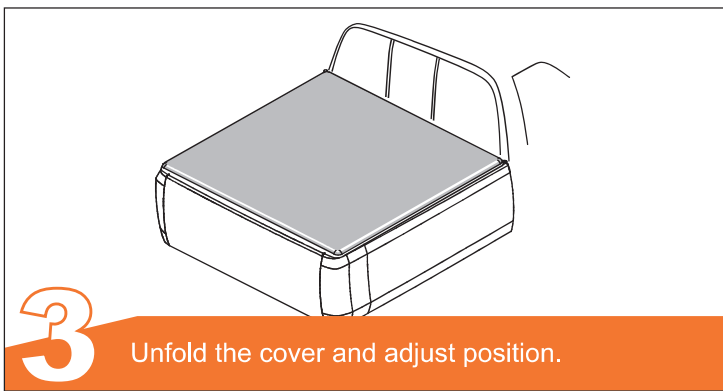
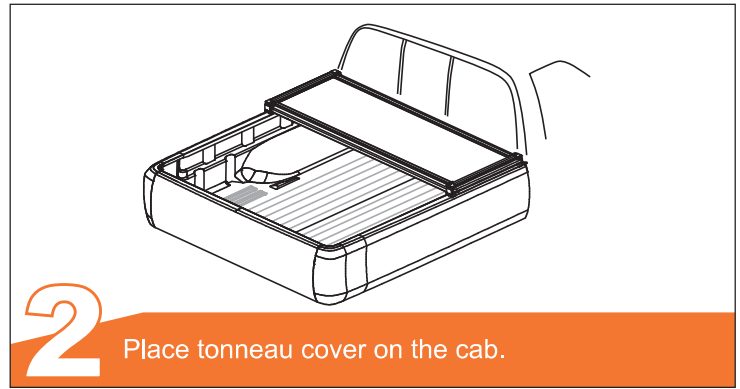
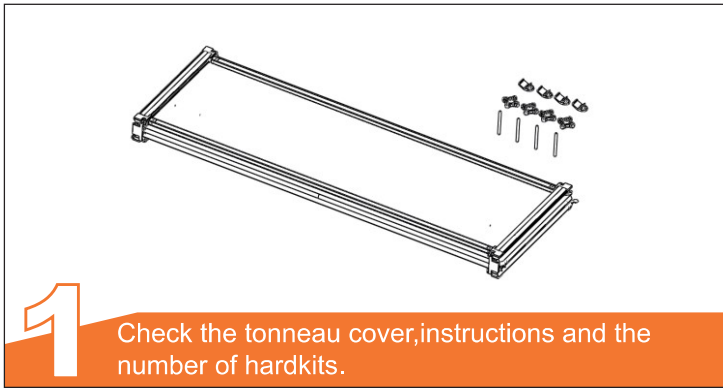
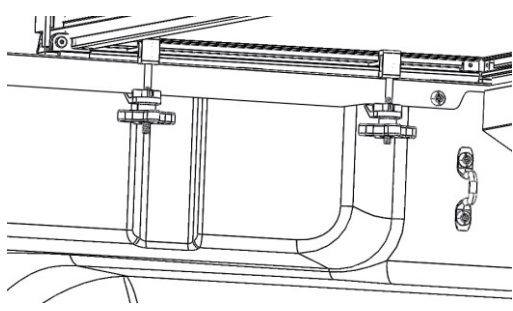
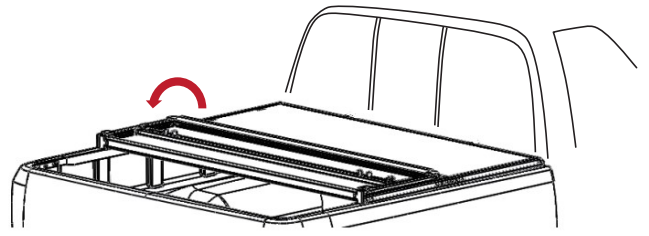


SOFT TRI-FOLD TONNEAU COVER INSTALLATION GUIDE

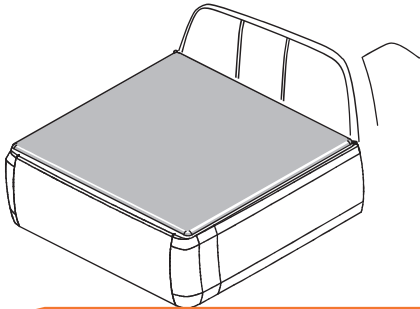




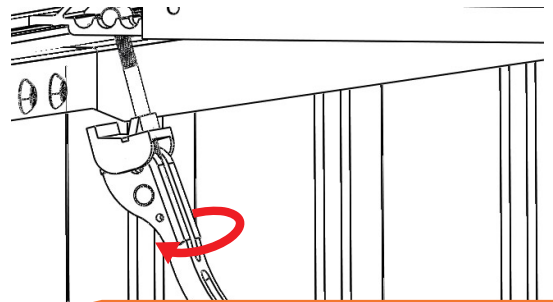
7 Tighten the clip to secure the cover.



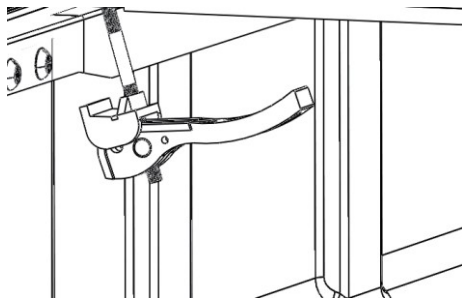
8 Close the cover.



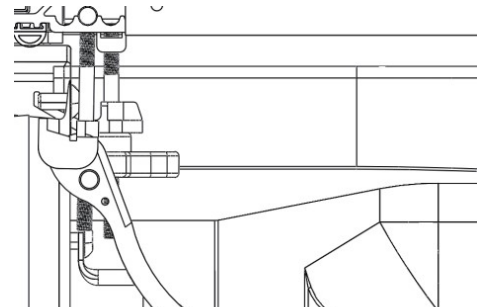
9 Fully close the cover.



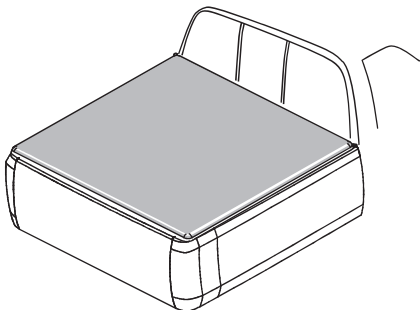
10 Pull the wrench and whirling to adjust the length of the threaded rod to secure against bed flange.



11 Lock the wrench and try to see if it can be completely stuck on the sidebar.



12 Clamp the wrench in the direction shown in the figure.



13 FINISH.