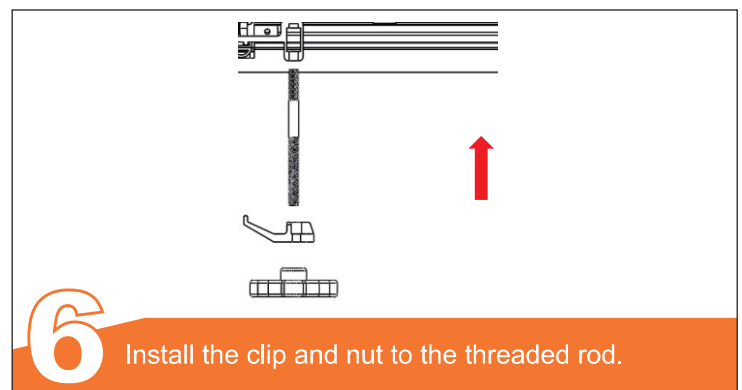
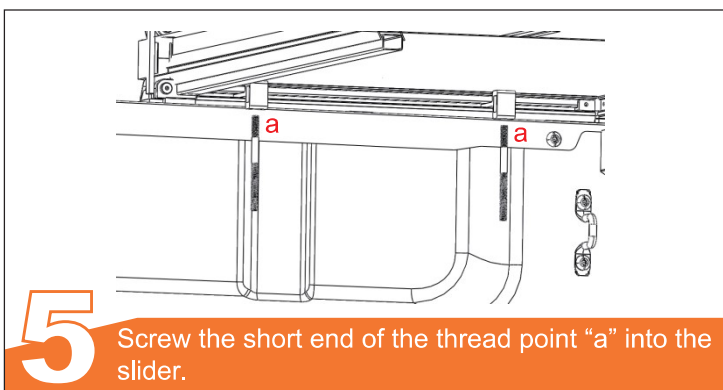
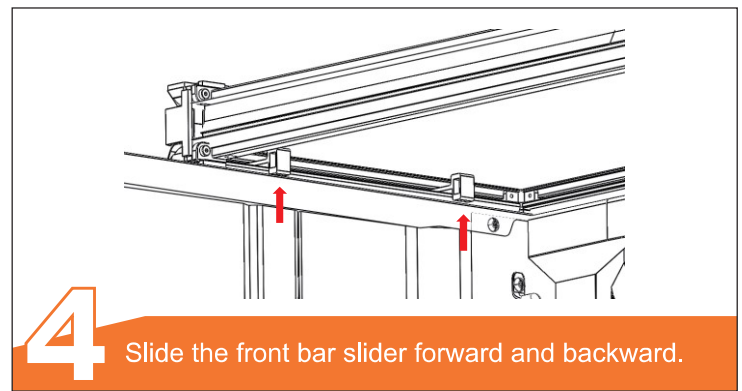
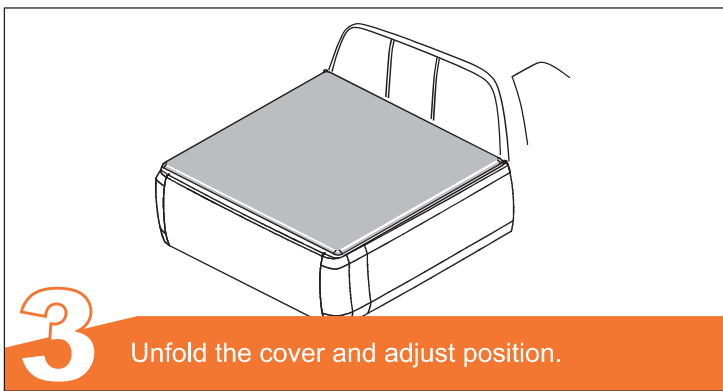
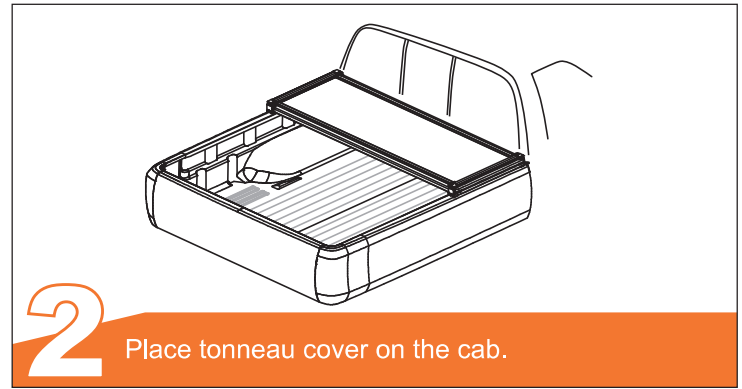
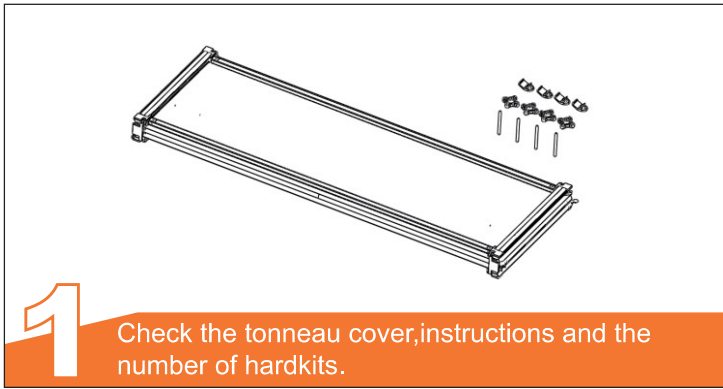
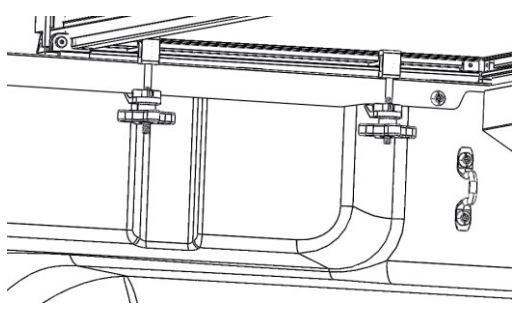


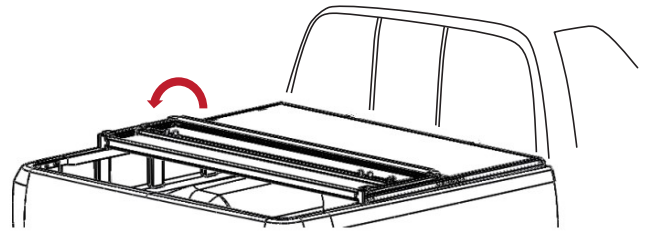
# SOFT TRI-FOLD TONNEAU COVER INSTALLATION GUIDE





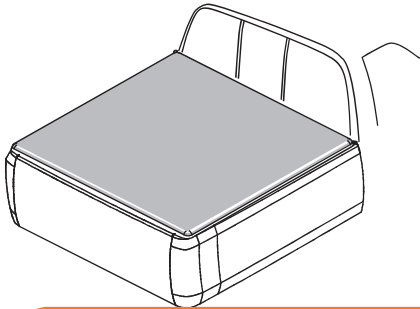
**7**

Tighten the clip to secure the cover.



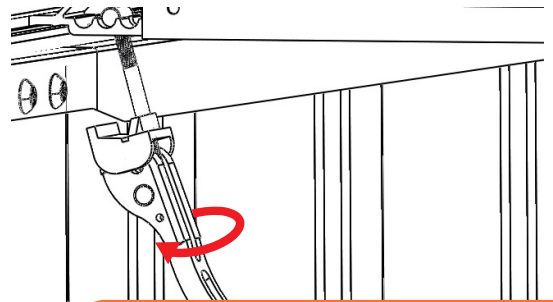
**8**

Close the cover.



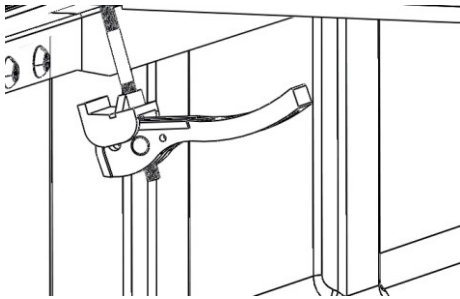
**9**

Fully close the cover.



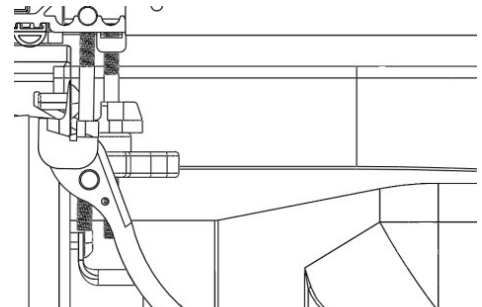
**10**

Pull the wrench and whirling to adjust the length of the threaded rod to secure against bed flange.



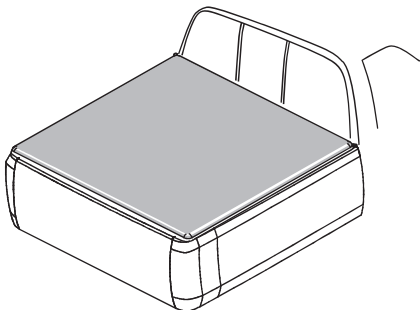
**11**

Lock the wrench and try to see if it can be completely stuck on the sidebar.



**12**

Clamp the wrench in the direction shown in the figure.



**13**

FINISH.