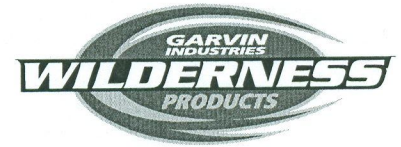




WILDERNESS PRODUCTS

JK ADVENTURE RACK
2007-2012 2 DOOR



PAGE 1 OF 8

PART # 44092

PARTS LIST

TOP SUPPORT BAR AND TOP SUPPORT CROSSBAR KIT PAGE 3

- 2 - TOP SUPPORT BARS (68 1/4")
- 1 - TOP SUPPORT CROSSBAR (40 3/8")
- 6 - 3/8 X 1 1/4 CARRIAGE BOLTS
- 6 - 3/8 USS FLATWASHERS
- 6 - 3/8 NYLON LOCKNUTS

FRONT SUPPORT BRACKET KIT PAGE 3 & 7

- 2 - FRONT SUPPORT BRACKETS (RT & LT)
- 4 - 8MM X 35MM X 1.25P BUTTON HEAD ALLEN BOLTS
- 4 - 5/16 LOCKWASHERS
- 4 - 5/16 NYLON FLATWASHERS
- 8 - 5/16 EXTRA THICK FLATWASHERS
- 2 - 1 3/4 BLACK PLASTIC PLUGS

PAGE 6 & 7

RUBBER BUMP STOP KIT PAGE 8

- 2 - 1 1/2" RUBBER BUMP STOPS
- 2 - 5/16 X 3 ALL THREAD TAP BOLTS
- 4 - 5/16 FLATWASHERS
- 6 - 5/16 NUTS
- 2 - 5/16 VINYL COVERS
- 2 - 3/8 FENDER WASHERS (1 1/2" DIA.)

FRONT AND REAR CONNECTING TUBE KIT

- 1 - FRONT CONNECTING TUBE (28 7/8")
- 1 - REAR CONNECTING TUBE (38")
- 4 - 5/16 X 1 BUTTON HEAD ALLEN BOLTS
- 4 - 5/16 LOCKWASHERS
- 4 - 5/16 EXTRA THICK FLATWASHERS
- 1 - 3/16 ALLEN WRENCH

LOWER SUPPORT BRACKET KIT PAGE 5

- 2 - LOWER SUPPORT BRACKETS (RT & LT)
- 2 - INSIDE THREADED SUPPORT BRACKETS
- 2 - 1/4 X 1 1/4 SQUARE WASHERS
- 2 - 3/8 LOCKWASHERS
- 2 - 3/8 FLATWASHERS (1" DIA.)
- 2 - 3/8 NUTS
- 6 - 5/16 POINTED ALLEN SET SCREWS
- 6 - 5/16 JAM NUTS
- 1 - 5/32 ALLEN WRENCH

REAR SUPPORT BRACKET KIT PAGE 6

- 2 - REAR SUPPORT BRACKETS (RT & LT)
- 2 - 1" X 7/8 SPACERS WITH 7/16 DIA. HOLE
- 2 - 7/16 X 2 1/2 BOLTS
- 4 - 7/16 SAE FLATWASHERS
- 4 - 7/16 X 1/8 NYLON FLATWASHERS
- 2 - 7/16 TAP LOCKNUTS

WEATHER PROOFING

TO HELP WEATHER PROOF THE CONNECTING POINTS OF THE ROOF RACK, WE RECOMEND USING BLACK SILICONE . (NOT SUPPLIED)

Part#44092
Jeep JK Wrangler Adventure Rack

Installation Instructions

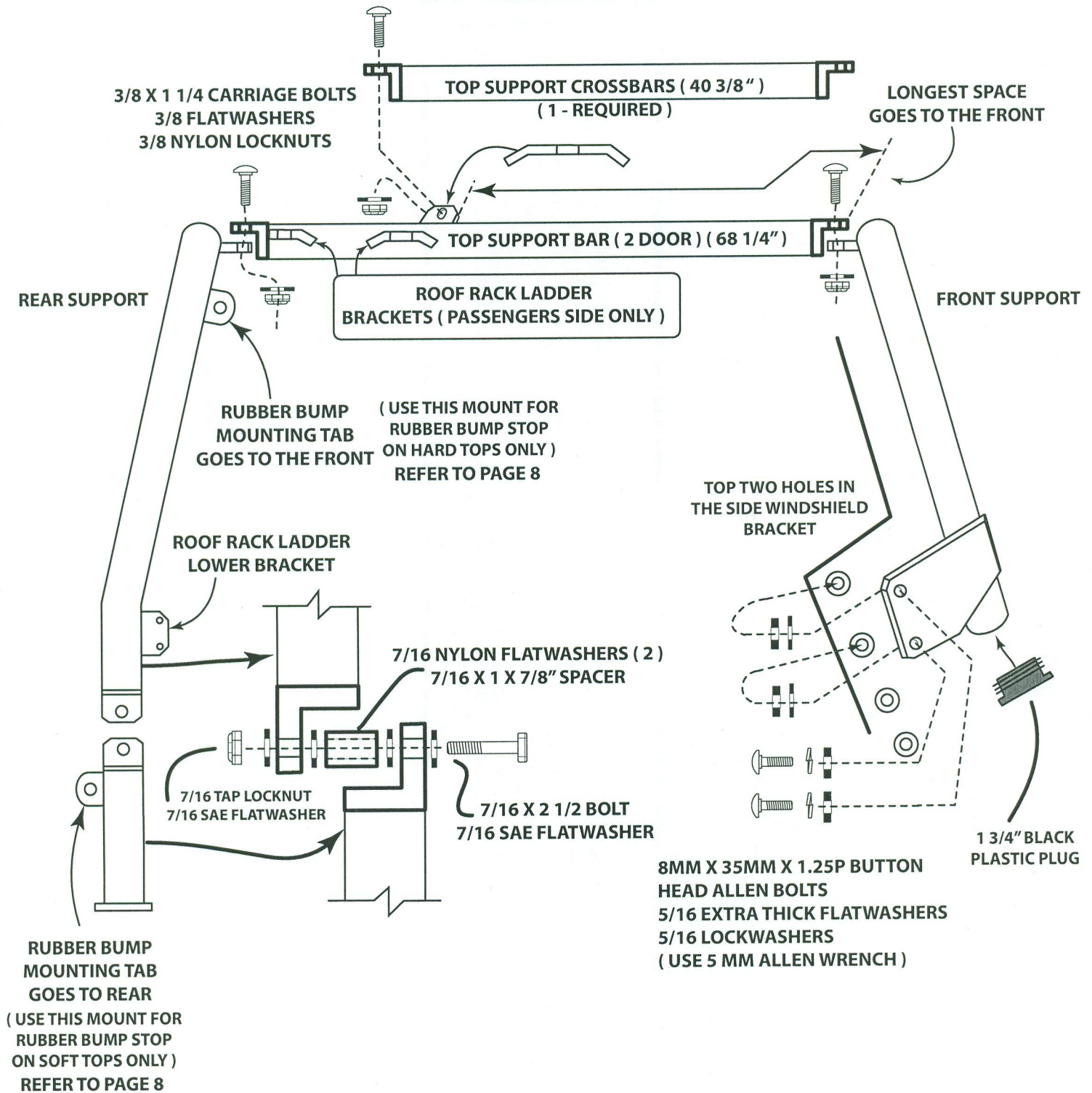
1. Leave all fasteners loose or slightly tight to hold in place. This will make installation easier.
2. The Adventure rack was designed using a stock factory rear bumper. The Garvin Wilderness G2 Series Bumper is compatible with the Adventure Rack. Other aftermarket rear bumpers may require slight modification to work with the rack.
3. For general assembly a passengers side view of the Adventure Rack is drawn on page 3.
4. Remove factory rear bumper.
5. Remove the rear factory tail lights, refer to page 4.
6. Install lower support brackets to inside threaded brackets as shown on page 5. Note! If you have a soft top install the rubber bumpers to the lower supports before installing on vehicle. Refer to page 8.
7. Align and tighten 3/8" dia. nut and lockwasher on lower support bracket. Do not tighten the allen pointed set screws at this time.
8. Install rear support brackets to lower supports as shown on page 6. Slightly tighten to hold in place. Install rubber bump stops to rear supports, refer to page 8.
9. Install rear connecting tube 38" to supports as shown on page 6. Align and slightly tighten to hold in place.
10. Install the 1 3/4" caps into the bottom tube on the front supports as shown on page 3. Install front supports to vehicle as shown on page 7. Leave the mounting bolts loose on both sides to allow for adjustment when connecting the front tube (28 7/8")
11. Install bolts into front connecting tube and slightly tighten all bolts.
12. Align front mounts so they are parallel with the front wind shield and tighten all four mounting bolts (5mm Allen)
13. Install top support bar to front and rear supports. Tabs go inboard and the long side goes to the front, as shown on page 3.
14. Install the top support crossbar to the top support bar as shown on page 3.
15. Align the Adventure Rack and tighten all fasteners.
16. After rack is aligned and all fasteners tightened, use the 5/32 Allen wrench to tighten all of the pointed Allen set screws in the lower support bracket into the lower body flange. Secure with the 5/16 jam nuts.
17. Re-install factory rear bumper.

Weather Proofing Connecting Joints:

- Back out the 5/16 button head allen bolts approx. 1/4" from the tubes. Apply black silicon to the threads and hole. Re-tighten bolt.
- Apply black silicon around the area where the front and rear tubes slide over the supports.
- Touch up all nicks and scratches that normally occur with a black enamel paint.

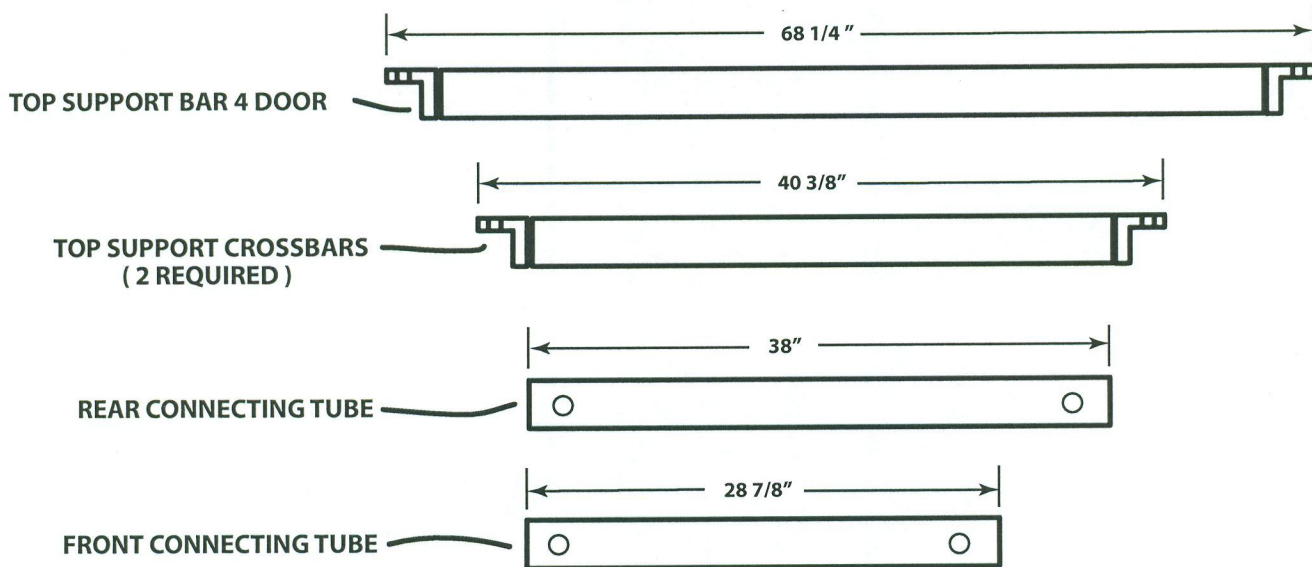
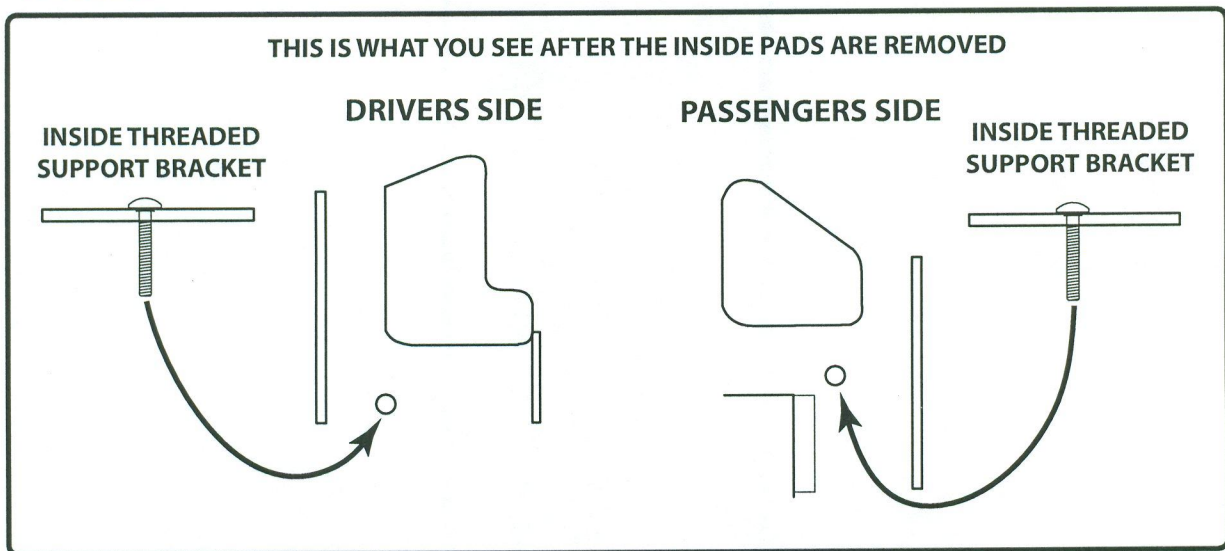
Tilting Back the Adventure Rack:

- Remove the front bolts that connect the top support bar to the front supports and back off the top rubber bump stops.
- From the rear pull back the rack and let it rest on the opened tailgate spare tire or some other support such as a table.



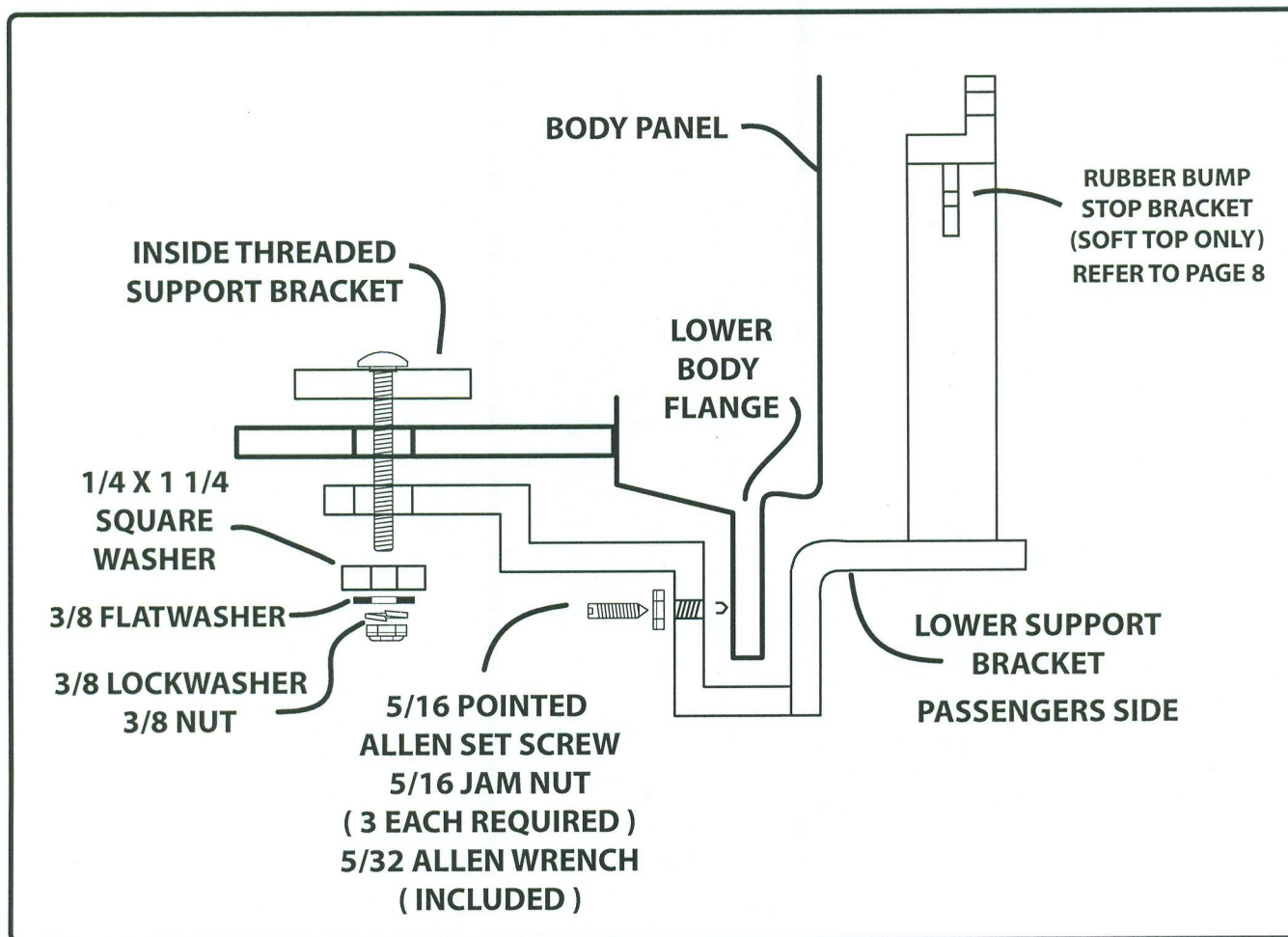
- 1 - REMOVE THE TAILLIGHT FROM EACH SIDE.
- 1a- ON 2012 MODELS OPEN THE TAILGATE TO REMOVE THE ARM ON PASSENGERS SIDE BEHIND THE TAIL LIGHT.
- 2 - REMOVE THE PAD THAT IS IN THE BOTTOM, (2012 MODELS CUT OUT THE SPRAYED IN FOAM THAT COVERS THE HOLE (DRIVERS SIDE ONLY)
- 3 - INSTALL THE INSIDE THREADED SUPPORT BRACKET IN THE SMALL HOLE AS SHOWN, FIGURE A , RE-INSTALL PADS AND TAIL LIGHTS.

FIGURE A



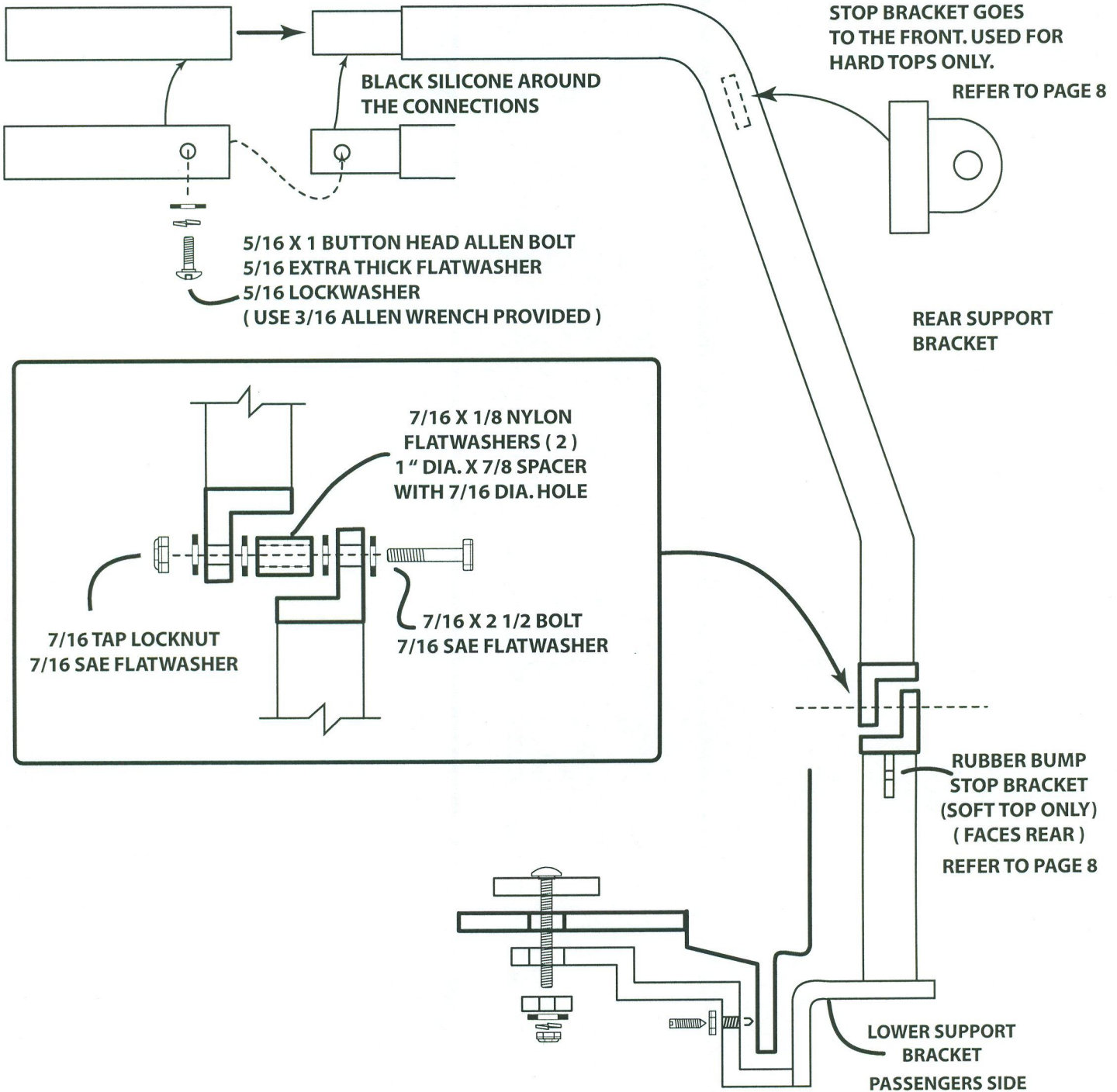
- 4 - INSTALL THE LOWER SUPPORT BRACKETS AS SHOWN , TO THE INSIDE THREADED SUPPORT BRACKETS AND THE BODY FLANGE. ALIGN AND TIGHTEN
- 5 - INSTALL 5/16 ALLEN SET SCREWS AND JAM NUTS, SLIGHTLY TIGHTEN SET SCREWS TO LOWER BODY FLANGE TO HOLD IN PLACE , WILL TIGHTEN LATER AND LOCK WITH JAM NUTS LATER.
- 6 - WHEN INSTALLING THE LOWER SUPPORT BRACKET, THE RUBBER BUMP STOP BRACKET GOES TO THE REAR, AS SHOWN IN FIGURE B.

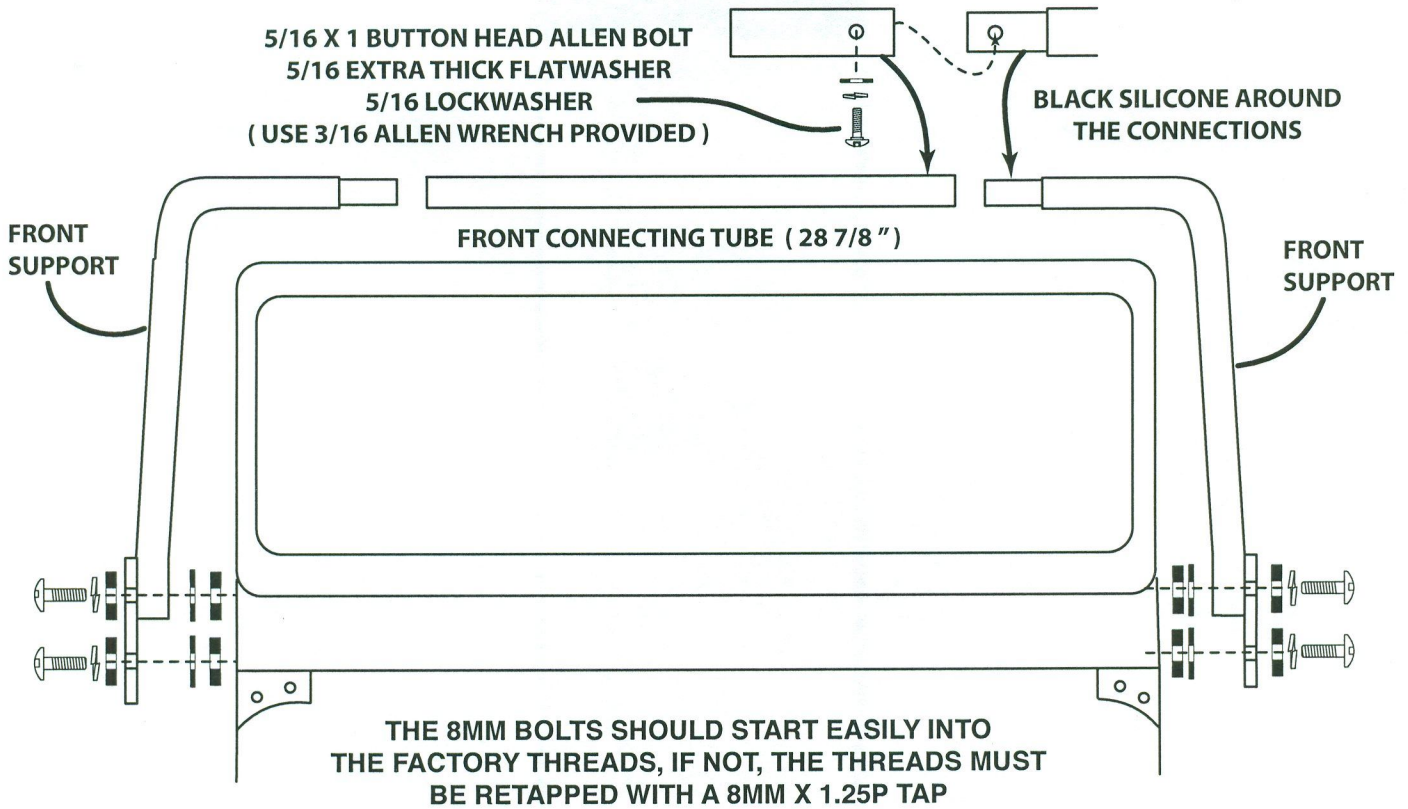
FIGURE B (PASSENGERS SIDE SHOWN)



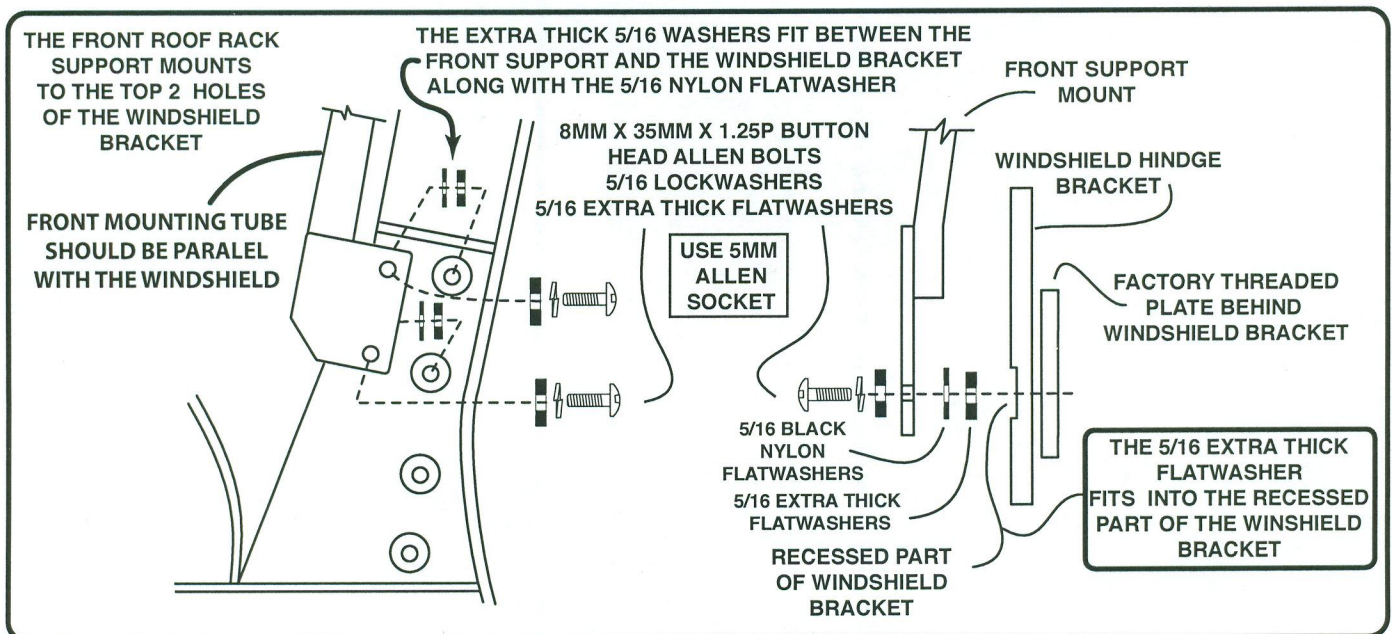
**REAR TOP SUPPORT BRACKET AND REAR CONNECTING TUBE
INSTALLATION DRAWING
(PASSENGERS SIDE SHOWN)**

REAR CONNECTING TUBE 38" LONG

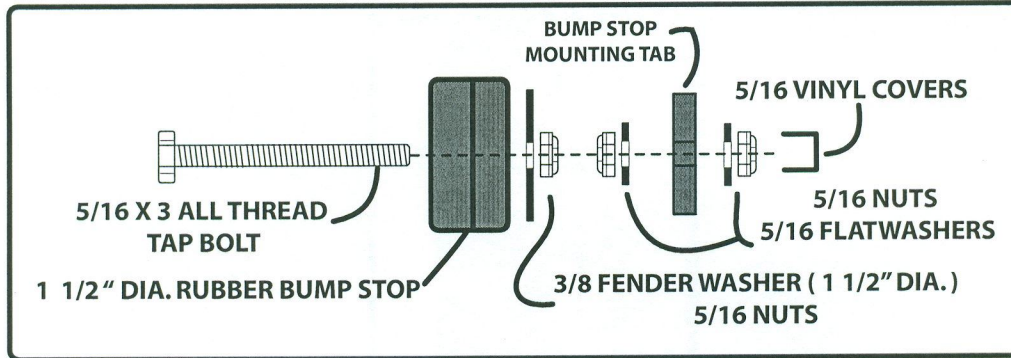




FRONT MOUNTING SUPPORT INSTALLATION

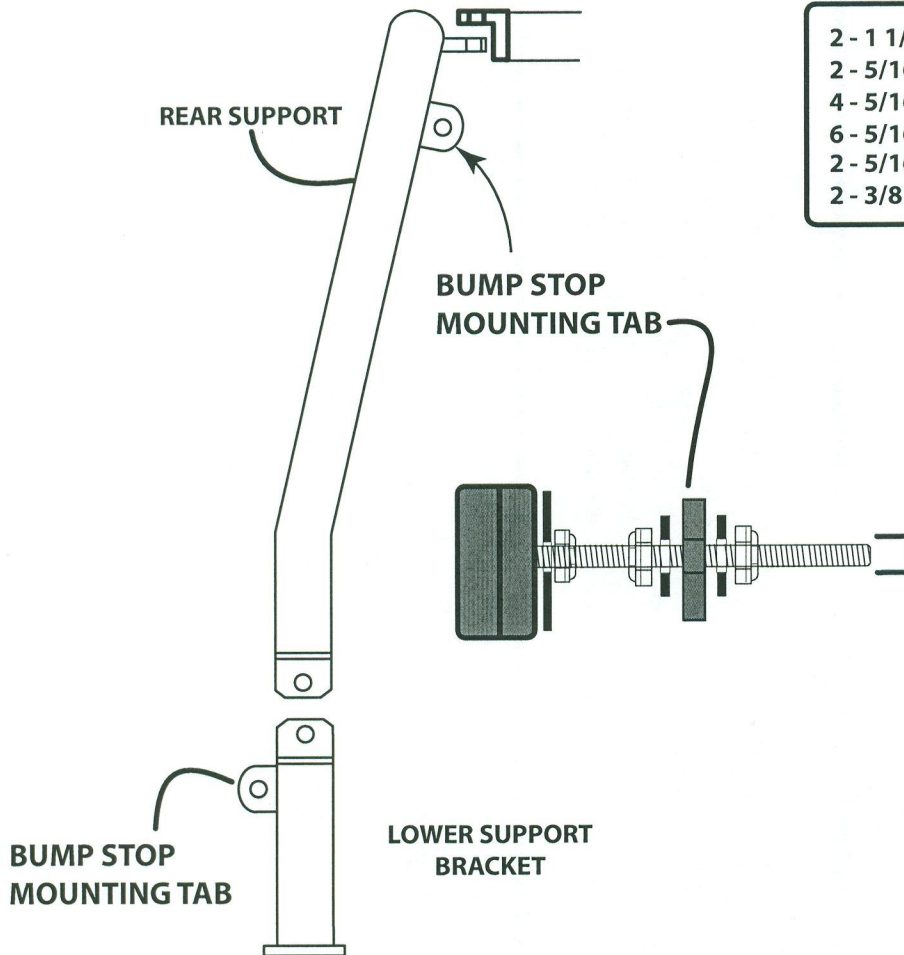


REAR RUBBER BUMP STOP INSTRUCTIONS



PARTS LIST

- 2 - 1 1/2" RUBBER BUMP STOPS
- 2 - 5/16 X 3 ALL THREAD TAP BOLTS
- 4 - 5/16 FLATWASHERS
- 6 - 5/16 NUTS
- 2 - 5/16 VINYL COVERS
- 2 - 3/8 FENDER WASHERS (1 1/2" DIA.)



- 1 - ASSEMBLE RUBBER BUMPER TO TAP BOLT AND TIGHTEN.
- 2 - INSTALL BUMP STOP TO TOP MOUNTING TAB ON FREEDOM TOPS AND BOTTOM TAB ON SOFT TOP MODELS.
- 3 - THE BUMP STOP MUST BE INSTALLED ON THE LOWER SUPPORT BRACKET BEFORE THE BRACKET IS INSTALLED ON VEHICLE.
- 4 - ADJUST THE RUBBER STOP SO THAT IT JUST TOUCHES THE BODY OR FREEDOM TOP. SECURE WITH 5/16 NUTS AND FLATWASHERS.
- 5 - USE SOME VASOLINE JELLY ON THE RUBBER IF A SQUICKING NOISE NOISE IS HEARD, THE RUBBER WILL GET HARD OVER TIME.

PART # 44094

PARTS LIST

**TOP SUPPORT BAR AND
TOP SUPPORT CROSSBARS KIT PAGE 3**

- 2 - TOP SUPPORT BARS (89 1/4")
- 2 - TOP SUPPORT CROSSBARS (40 3/8")
- 8 - 3/8 X 1 1/4 CARRIAGE BOLTS
- 8 - 3/8 USS FLATWASHERS
- 8 - 3/8 NYLON LOCKNUTS

FRONT SUPPORT BRACKET KIT PAGE 3 & 7

- 2 - FRONT SUPPORT BRACKETS (RT & LT)
- 4 - 8MM X 35MM X 1.25P BUTTON HEAD ALLEN BOLTS
- 4 - 5/16 LOCKWASHERS
- 4 - 5/16 NYLON FLATWASHERS
- 8 - 5/16 EXTRA THICK FLATWASHERS
- 2 - 1 3/4 BLACK PLASTIC PLUGS

PAGE 6 & 7

RUBBER BUMP STOP KIT PAGE 8

- 2 - 1 1/2" RUBBER BUMP STOPS
- 2 - 5/16 X 3 ALL THREAD TAP BOLTS
- 4 - 5/16 FLATWASHERS
- 6 - 5/16 NUTS
- 2 - 5/16 VINYL COVERS
- 2 - 3/8 FENDER WASHERS (1 1/2" DIA.)

FRONT AND REAR CONNECTING TUBE KIT

- 1 - FRONT CONNECTING TUBE (28 7/8")
- 1 - REAR CONNECTING TUBE (38")
- 4 - 5/16 X 1 BUTTON HEAD ALLEN BOLTS
- 4 - 5/16 LOCKWASHERS
- 4 - 5/16 EXTRA THICK FLATWASHERS
- 1 - 3/16 ALLEN WRENCH

LOWER SUPPORT BRACKET KIT PAGE 5

- 2 - LOWER SUPPORT BRACKETS (RT & LT)
- 2 - INSIDE THREADED SUPPORT BRACKETS
- 2 - 1/4 X 1 1/4 SQUARE WASHERS
- 2 - 3/8 LOCKWASHERS
- 2 - 3/8 FLATWASHERS (1" DIA.)
- 2 - 3/8 NUTS
- 6 - 5/16 POINTED ALLEN SET SCREWS
- 6 - 5/16 JAM NUTS
- 1 - 5/32 ALLEN WRENCH

REAR SUPPORT BRACKET KIT PAGE 6

- 2 - REAR SUPPORT BRACKETS (RT & LT)
- 2 - 1" X 7/8 SPACERS WITH 7/16 DIA. HOLE
- 2 - 7/16 X 2 1/2 BOLTS
- 4 - 7/16 SAE FLATWASHERS
- 4 - 7/16 X 1/8 NYLON FLATWASHERS
- 2 - 7/16 TAP LOCKNUTS

WEATHER PROOFING

TO HELP WEATHER PROOF THE CONNECTING POINTS OF THE ROOF RACK, WE RECOMEND USING BLACK SILICONE . (NOT SUPPLIED)

Part#44094
Jeep JK Wrangler Adventure Rack

Installation Instructions

1. Leave all fasteners loose or slightly tight to hold in place. This will make installation easier.
2. The Adventure rack was designed using a stock factory rear bumper. The Garvin Wilderness G2 Series Bumper is compatible with the Adventure Rack. Other aftermarket rear bumpers may require slight modification to work with the rack.
3. For general assembly a passengers side view of the Adventure Rack is drawn on page 3.
4. Remove factory rear bumper.
5. Remove the rear factory tail lights, refer to page 4.
6. Install lower support brackets to inside threaded brackets as shown on page 5. Note! If you have a soft top install the rubber bumpers to the lower supports before installing on vehicle. Refer to page 8.
7. Align and tighten 3/8" dia. nut and lockwasher on lower support bracket. Do not tighten the allen pointed set screws at this time.
8. Install rear support brackets to lower supports as shown on page 6. Slightly tighten to hold in place. Install rubber bump stops to rear supports, refer to page 8.
9. Install rear connecting tube 38" to supports as shown on page 6. Align and slightly tighten to hold in place.
10. Install the 1 3/4" caps into the bottom tube on the front supports as shown on page 3. Install front supports to vehicle as shown on page 7. Leave the mounting bolts loose on both sides to allow for adjustment when connecting the front tube (28 7/8")
11. Install bolts into front connecting tube and slightly tighten all bolts.
12. Align front mounts so they are parallel with the front wind shield and tighten all four mounting bolts (5mm Allen)
13. Install top support bar to front and rear supports. Tabs go inboard and the long side goes to the front, as shown on page 3.
14. Install the two top support crossbars to the top support bar as shown on page 3.
15. Align the Adventure Rack and tighten all fasteners.
16. After rack is aligned and all fasteners tightened, use the 5/32 Allen wrench to tighten all of the pointed Allen set screws in the lower support bracket into the lower body flange. Secure with the 5/16 jam nuts.
17. Re-install factory rear bumper.

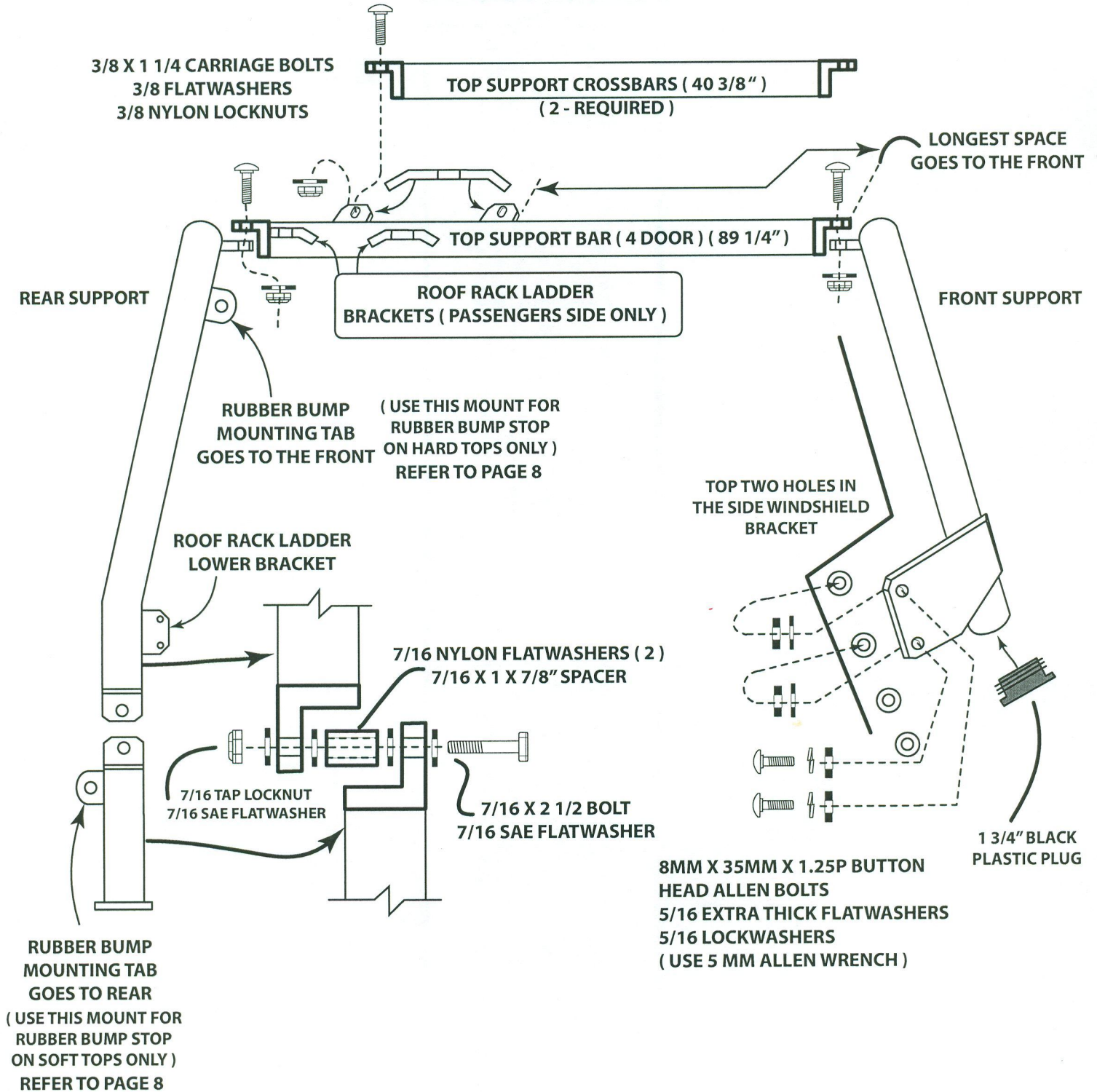
Weather Proofing Connecting Joints:

- Back out the 5/16 button head allen bolts approx. 1/4" from the tubes. Apply black silicon to the threads and hole. Re-tighten bolt.
- Apply black silicon around the area where the front and rear tubes slide over the supports.
- Touch up all nicks and scratches that normally occur with a black enamel paint.

Tilting Back the Adventure Rack:

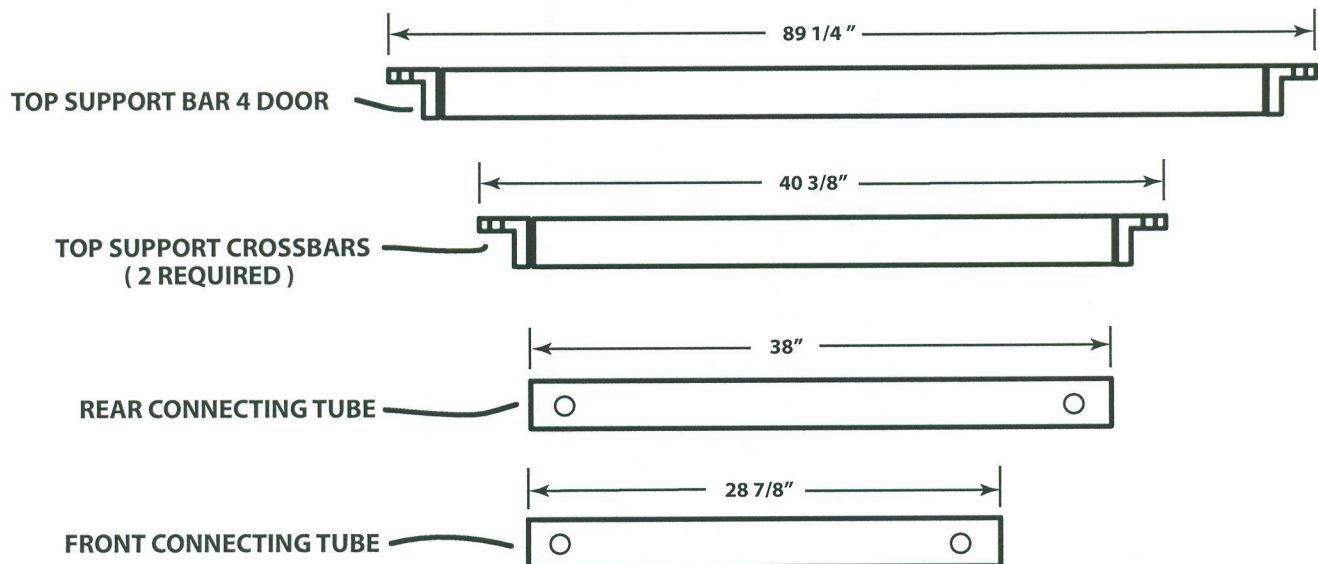
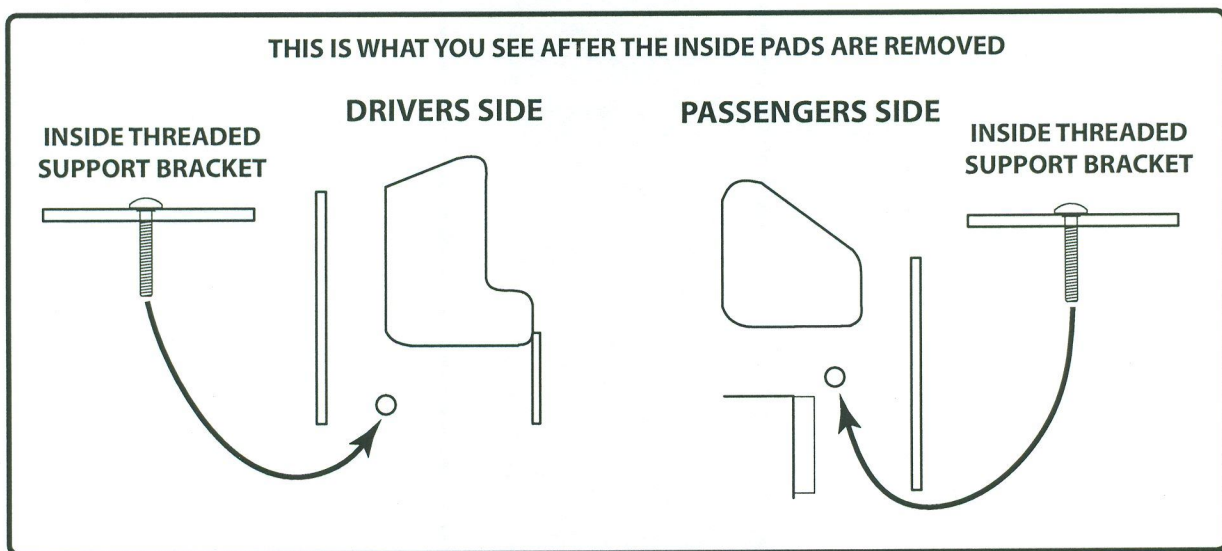
- Remove the front bolts that connect the top support bar to the front supports and back off the top rubber bump stops.
- From the rear pull back the rack and let it rest on the opened tailgate spare tire or some other support such as a table.

WILDERNESS PRODUCTS
JK ADVENTURE RACK
2007-2012 4 DOOR
PART# 44094
GENERAL DRAWING
PASSENGERS SIDE SHOWN



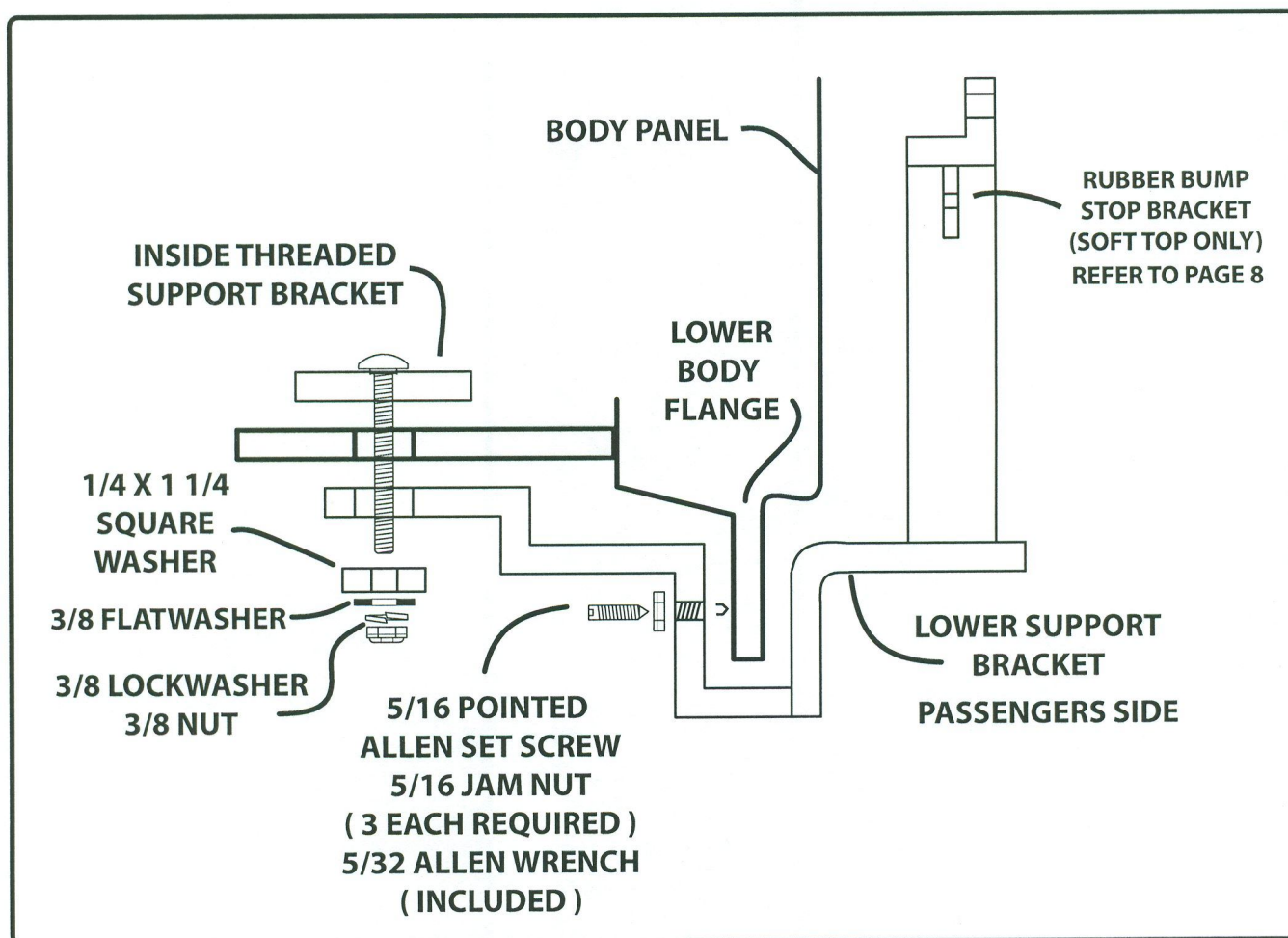
- 1 - REMOVE THE TAILLIGHT FROM EACH SIDE.
- 1a- ON 2012 MODELS OPEN THE TAILGATE TO REMOVE THE ARM ON PASSENGERS SIDE BEHIND THE TAIL LIGHT.
- 2 - REMOVE THE PAD THAT IS IN THE BOTTOM, (2012 MODELS CUT OUT THE SPRAYED IN FOAM THAT COVERS THE HOLE (DRIVERS SIDE ONLY)
- 3 - INSTALL THE INSIDE THREADED SUPPORT BRACKET IN THE SMALL HOLE AS SHOWN, FIGURE A , RE-INSTALL PADS AND TAIL LIGHTS.

FIGURE A



- 4 - INSTALL THE LOWER SUPPORT BRACKETS AS SHOWN , TO THE INSIDE THREADED SUPPORT BRACKETS AND THE BODY FLANGE. ALIGN AND TIGHTEN
- 5 - INSTALL 5/16 ALLEN SET SCREWS AND JAM NUTS, SLIGHTLY TIGHTEN SET SCREWS TO LOWER BODY FLANGE TO HOLD IN PLACE , WILL TIGHTEN LATER AND LOCK WITH JAM NUTS LATER.
- 6 - WHEN INSTALLING THE LOWER SUPPORT BRACKET, THE RUBBER BUMP STOP BRACKET GOES TO THE REAR, AS SHOWN IN FIGURE B.

FIGURE B (PASSENGERS SIDE SHOWN)

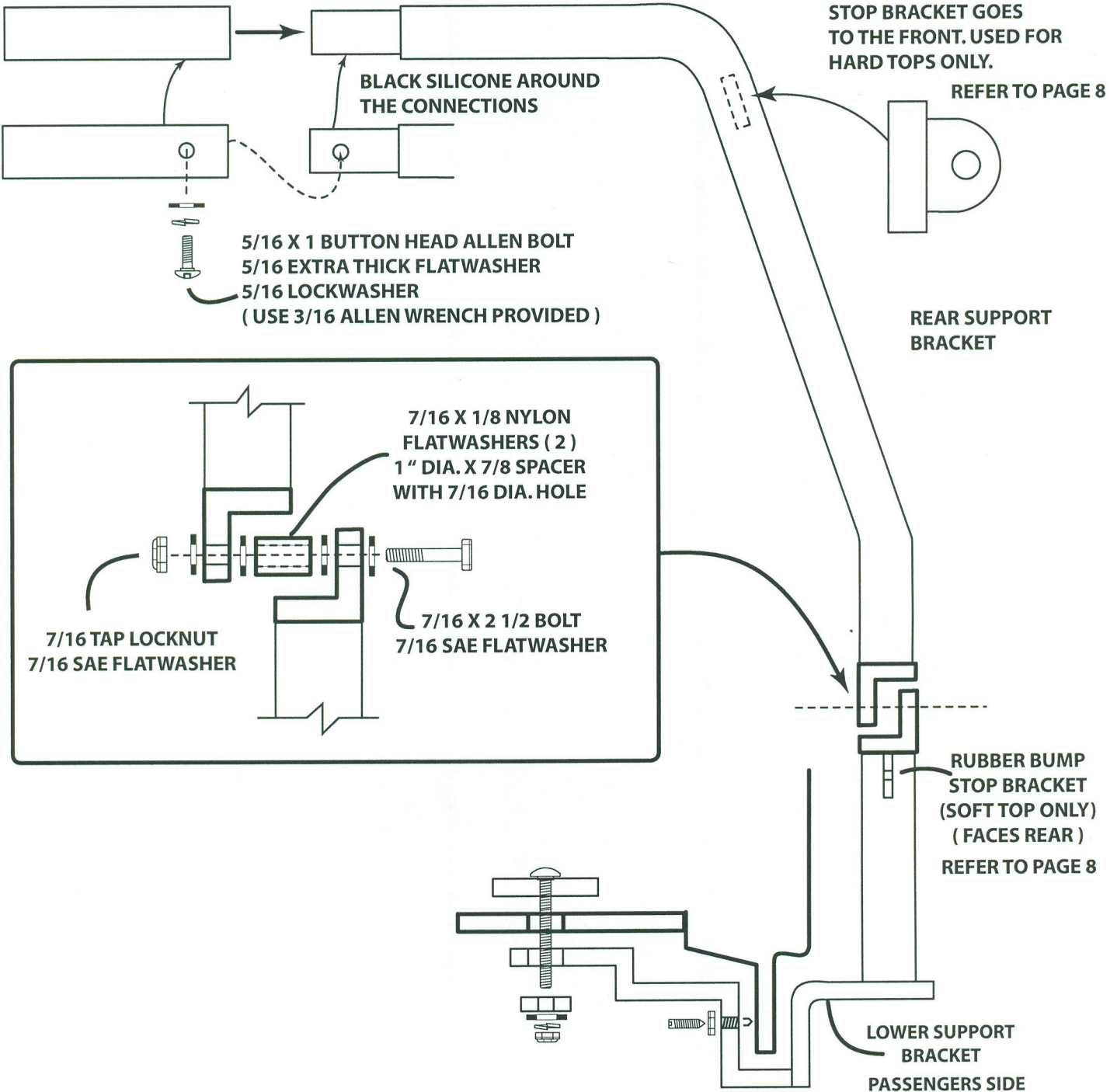


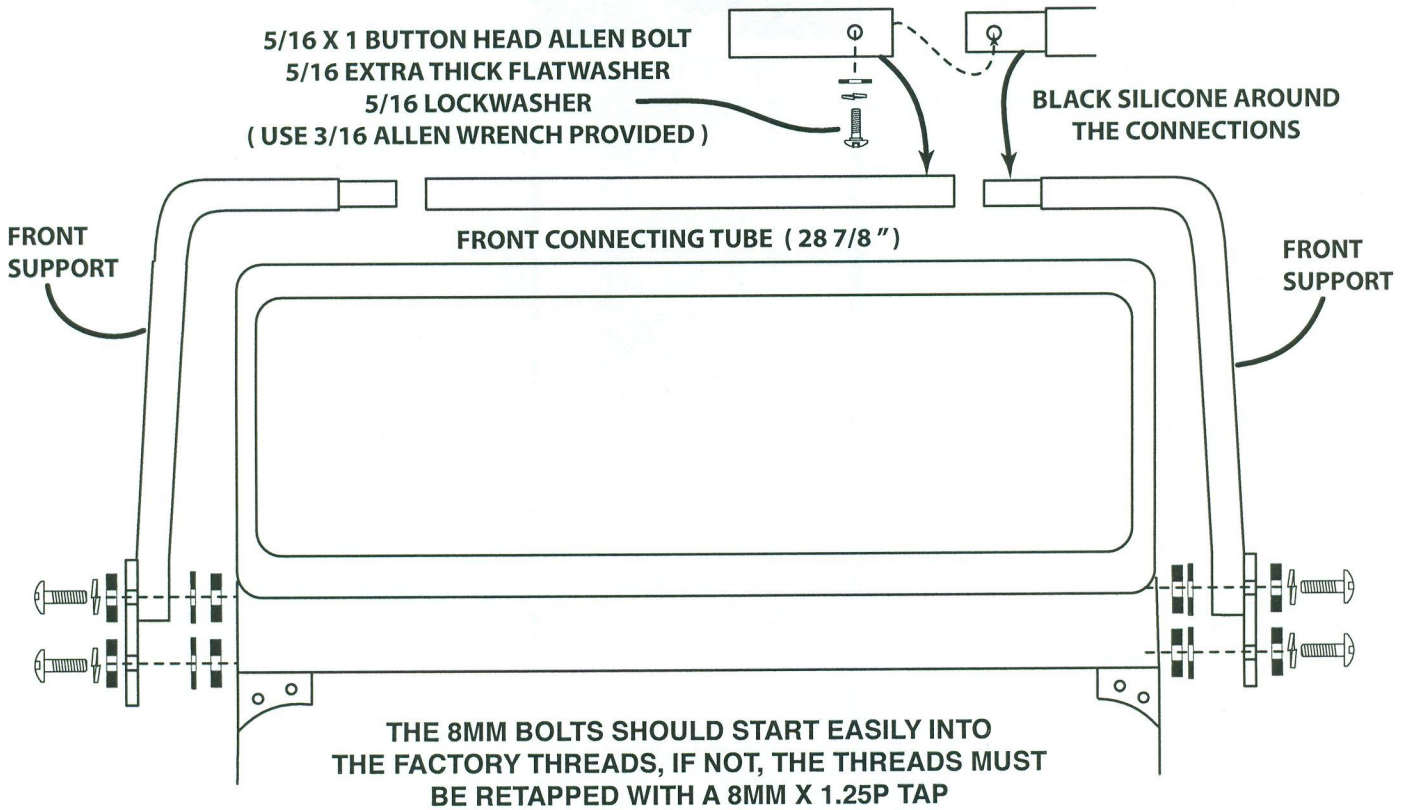
PART# 44094

REAR TOP SUPPORT BRACKET AND REAR CONNECTING TUBE

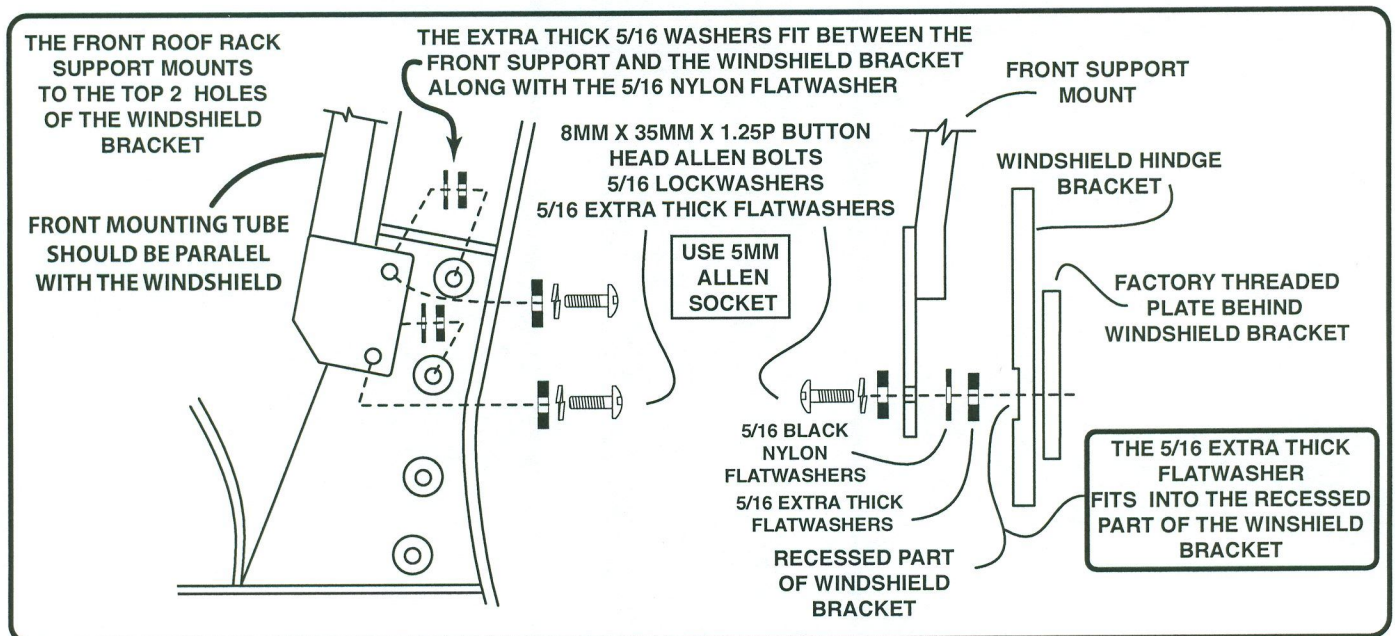
INSTALLATION DRAWING
(PASSENGERS SIDE SHOWN)

REAR CONNECTING TUBE 38" LONG

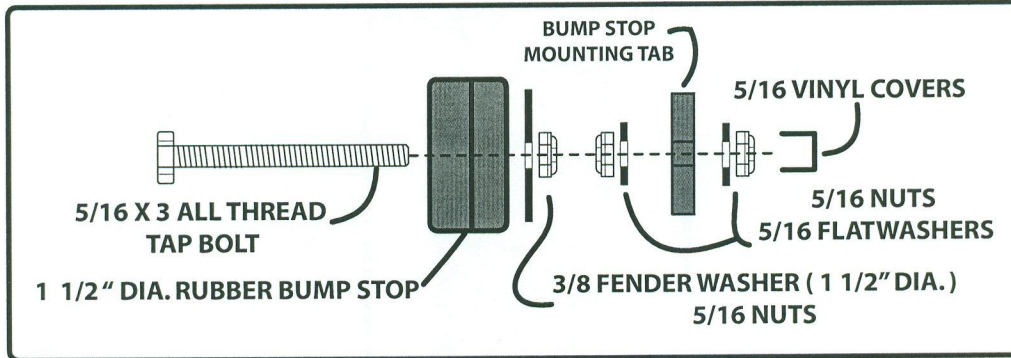




FRONT MOUNTING SUPPORT INSTALLATION

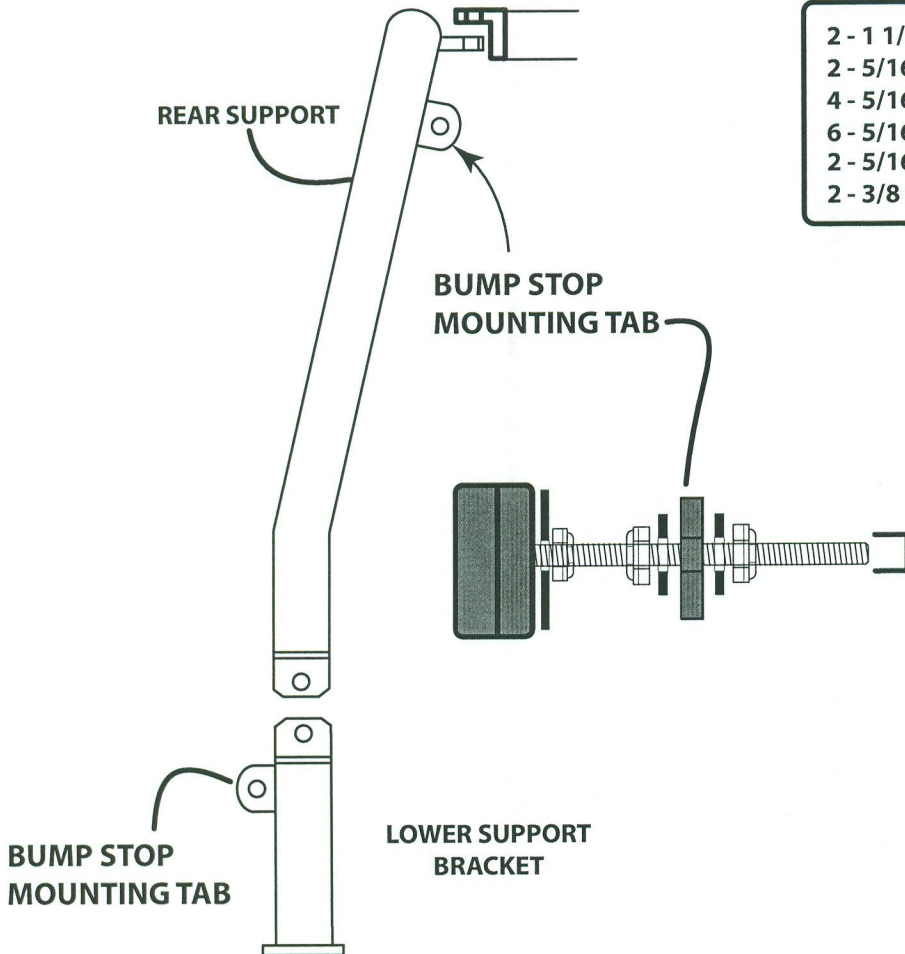


REAR RUBBER BUMP STOP INSTRUCTIONS



PARTS LIST

- 2 - 1 1/2" RUBBER BUMP STOPS
- 2 - 5/16 X 3 ALL THREAD TAP BOLTS
- 4 - 5/16 FLATWASHERS
- 6 - 5/16 NUTS
- 2 - 5/16 VINYL COVERS
- 2 - 3/8 FENDER WASHERS (1 1/2" DIA.)



- 1 - ASSEMBLE RUBBER BUMPER TO TAP BOLT AND TIGHTEN.
- 2 - INSTALL BUMP STOP TO TOP MOUNTING TAB ON FREEDOM TOPS AND BOTTOM TAB ON SOFT TOP MODELS.
- 3 - THE BUMP STOP MUST BE INSTALLED ON THE LOWER SUPPORT BRACKET BEFORE THE BRACKET IS INSTALLED ON VEHICLE.
- 4 - ADJUST THE RUBBER STOP SO THAT IT JUST TOUCHES THE BODY OR FREEDOM TOP. SECURE WITH 5/16 NUTS AND FLATWASHERS.
- 5 - USE SOME VASOLINE JELLY ON THE RUBBER IF A SQUICKING NOISE IS HEARD, THE RUBBER WILL GET HARD OVER TIME.