



OMIX-ADA, Inc.

460 HORIZON DR. SUITE 400 | SUWANEE, GA 30024 | PHONE: 770-614-6101 | FAX: 770-614-6069 | info@omix-ada.com

11540.25

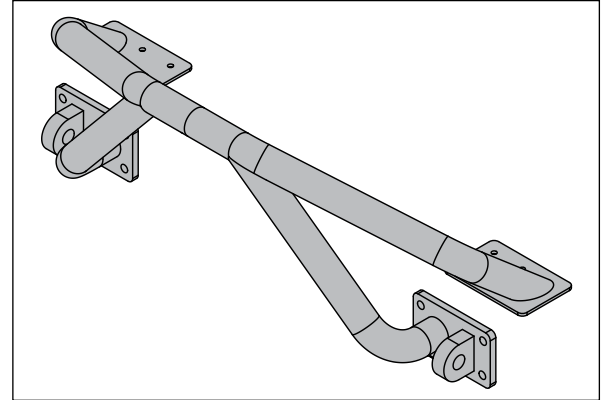
Rugged Ridge XHD Double X Striker

Contents:

- Double X Striker (1)

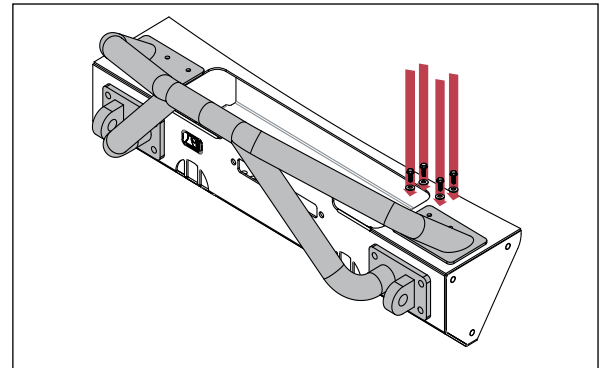
WARNING

To avoid serious injury; never exceed 6.5 ton working load on D-Ring mounts. Use only to assist in vehicle self-recovery; never use D-Ring mounts as towing point. Inspect before use. Replace if damaged or distorted. Striker Bar is not to be used for towing or vehicle recovery.



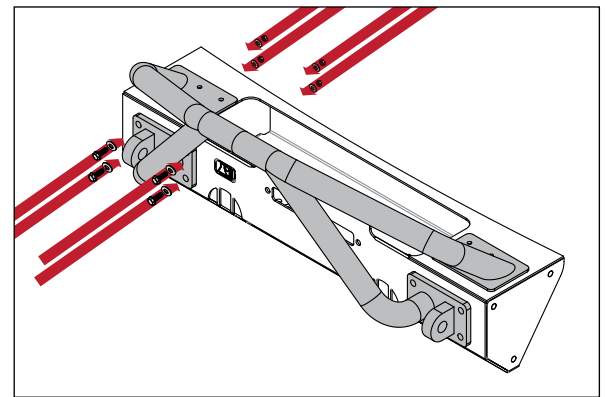
1. If Double X Striker is being added to an existing installation; remove D-Rings and/or any top or front mounted accessories from center section. Center section should be sitting on frame rails but not attached.

2. Place Double X Striker over center section and secure with 8 top bolts and washers (provided with center section). Do not tighten bolts.



4. Install front 8 bolts and washers (provided with center section). Do not tighten bolts.

5. Once all 16 bolts have been started, tighten the front 8 bolts, followed by the top 8 bolts. Installation is now complete.



OMIX-ADA® TECHNICAL SUPPORT

PHONE: M-F 8am - 5pm EST 1-800-449-6649 | EMAIL: techsupport@omix-ada.com

FOR WARRANTY INFORMATION VISIT: www.Omix-Ada.com