











Installation Instructions Supertop NX Twill

Vehicle Application:

- Jeep Wrangler TJ
1997 – 2006
Part Number: 54820

www.Bestop.com - We're here to help! Visit our web site and click on "[Ask a Question](#)". Click here for more [Jeep® Accessories by Bestop](#).

INSTALLATION TIME	SKILL LEVEL
 3 Hours	 2 - Moderately Easy

TOOLS			
 Power Drill 1/8" Bit	 Phillips Screwdriver #1, #2 & #3	 Torx Wrench T30	 Silicone Sealant
 Adjustable Wrench	 Safety Glasses		



Installation Tips

Before you begin installing this assembly, read all instructions thoroughly.

For a smooth fit:

For ease in installation, the product should be installed at temperatures above 72° F. Below this temperature, the fabric may contract an inch or more, making it difficult to fit to the vehicle. It is normal for fabric to contract and wrinkle when stored in the shipping carton. Within a few days after installation, the fabric will relax and the wrinkles will disappear.

CAUTION Safety glasses should be worn at all times while installing this product.

WARNING This product is designed primarily to enhance the appearance of the vehicle and to shield the occupants from ordinary weather conditions. Do not rely in any way on the components of this product to contain occupants within the vehicle, or to protect against injury or death in the event of an accident. This product will not protect the occupants from falling objects. Never operate the vehicle in excess of manufacturer's specifications.

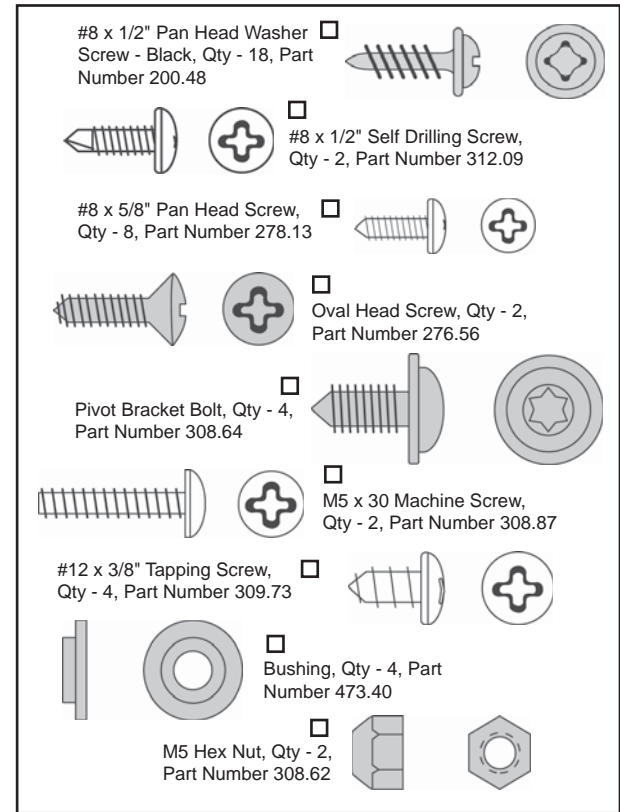
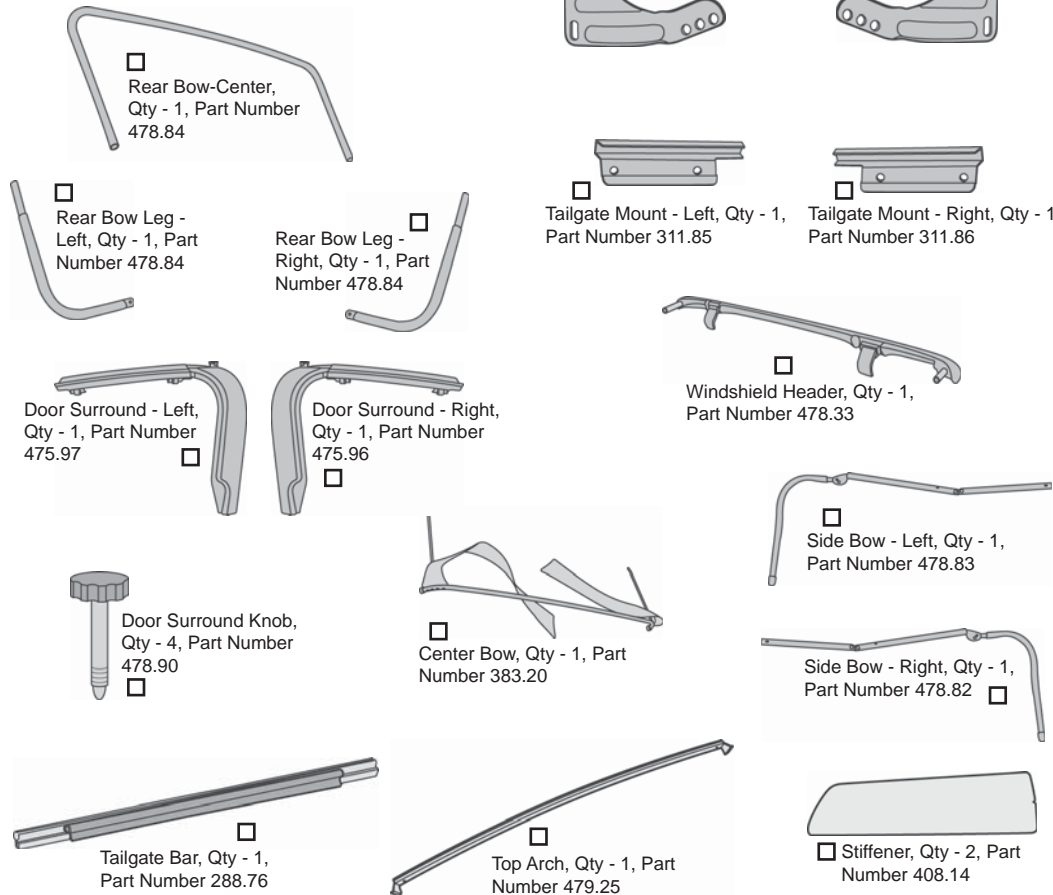
WEAR SEAT BELTS AT ALL TIMES

Read and follow, precisely, all installation instructions provided when installing product. Failure to do so may result in a poor fit and could place occupants of the vehicle in a potentially dangerous situation.

Supertop NX Twill Installation Instructions

Fabric Top	Qty - 1
Quarter Window, Right	Qty - 1
Quarter Window, Left	Qty - 1
Rear Window	Qty - 1

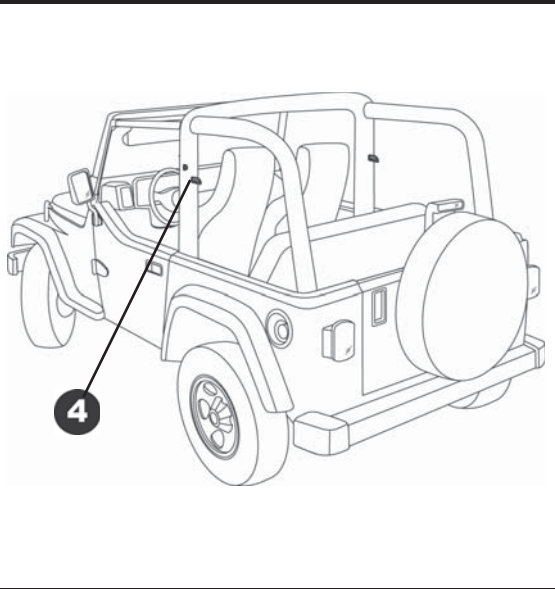
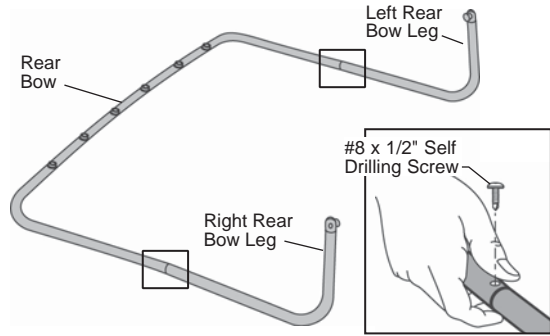
Parts List and Hardware Identification



Supertop NX Twill Installation Instructions

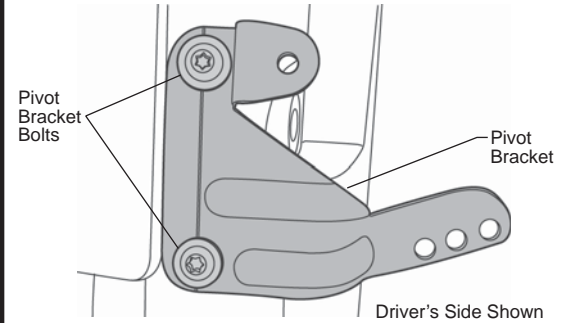
1 Assemble Rear Bow

Orient the Rear Bow Legs with the knobs in the pivot knuckles toward the inside. Slide the Rear Bow Legs and Center section together, aligning the pre-drilled screw holes. Install a #8 x 1/2" Self Drilling Screw, from the parts kit, in each leg.



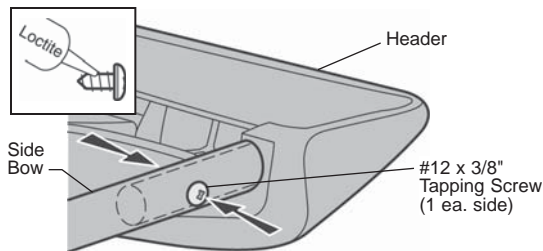
4 Mount Pivot Brackets on Sport Bars

Unzip the vertical padded cover over the sport bar and pull the pad away from the bar to expose the bracket location holes. Orient the Pivot Brackets over the existing holes in the sport bar and install them with the Pivot Bracket Bolts (two bolts per bracket). Zip the padded cover closed.



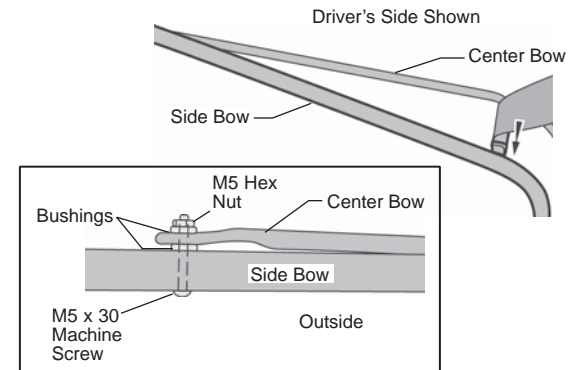
2 Assemble Side Bows to Header

Orient the Side Bows with the knobs in the pivot knuckles toward the outside and the bend pointing up. Slide the other end over the section of tube and into the Header. Install the #12 x 3/8" Tapping Screws, one on each side of the bow, on each side of the header (4 screws). Place a drop of Loctite on the threads of each screw before installing.



3 Secure Center Bow to Side Bow / Header Assembly

Locate the Center Bow with the fabric Stay Pads attached. Lay the bumpers of the Center Bow on top of the Side Bows and align the holes in the Center Bow with the holes in the Side Bows. Push an M5 x 30 Machine Screw through the Side Bow from the outside. Install a Bushing with the shoulder facing away from the Side Bow. Slide the rod of the Center Bow over the screw and install a second Bushing with the shoulder facing into the hole in the Center Bow. Install an M5 Hex Nut. Tighten the assembly so that the Center Bow is allowed to rotate freely.

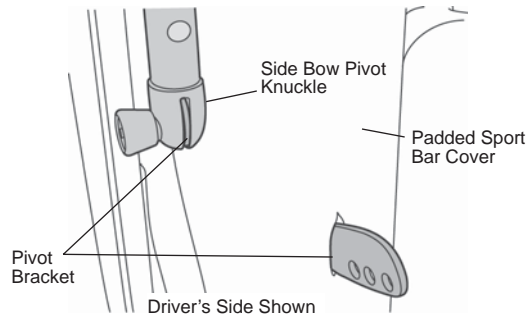


Supertop NX Twill Installation Instructions

5 Mount Header Assembly to Pivot Bracket

Install the Side Bow Pivot Knuckles onto the upper flange of the Pivot Bracket. Align the knuckle with the bracket and snap it into place.

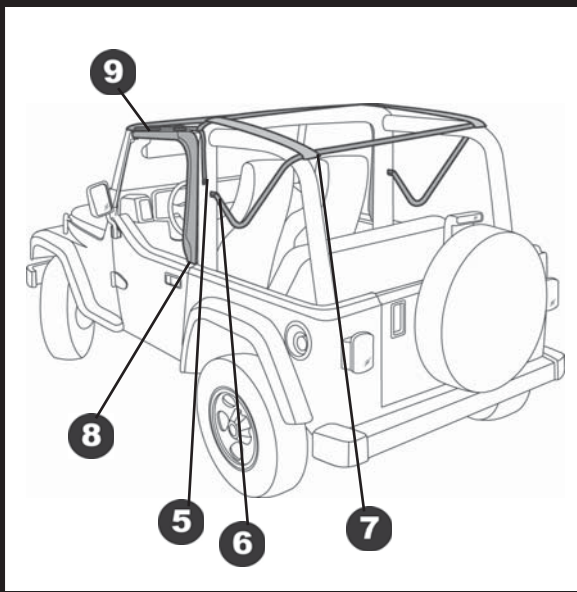
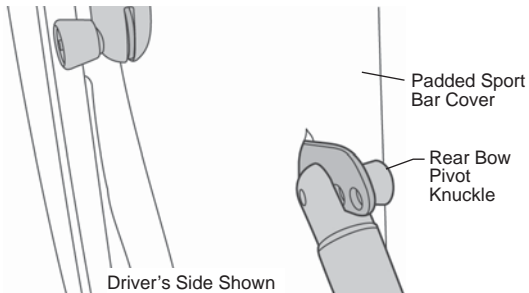
NOTE For 97 to 02 vehicles equipped with factory installed Pivot Brackets, replace with new Bracket from Kit for proper fit.



6 Mount Rear Bow Assembly to Pivot Bracket

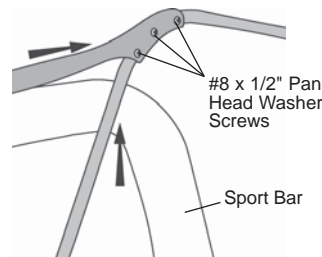
Install the Rear Bow Pivot Knuckle Assemblies onto the lower flange of the Pivot Bracket. Align the knuckle with the bracket and snap it into place.

If you have a new top, install the Rear Bow Pivot in the front hole.



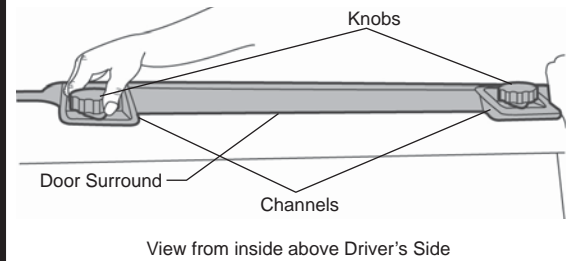
7 Secure Stay Pad to Rear Bow

Rotate the front bow assembly forward, laying the header on top of the windshield. Raise the Rear Bow and pull the fabric Stay Pad attached to the Center Bow straight back to the Rear Bow, without twisting. Align the holes in the Stay Pad with the holes in the corner of the Rear Bow. Install #8 x 1/2" Pan Head Washer Screws in the holes on each side.



9 Install Door Surround Knobs

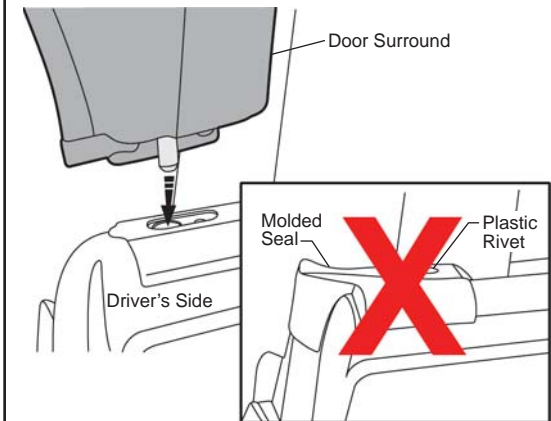
Press the channels along the top of the Door Surround around the horizontal sport bar, above the door opening. Insert two Knobs into the Door Surround and tighten them down.



8 Install Door Surrounds

If your vehicle has molded seals on the belt rail, remove them by pulling up on the plastic rivet.

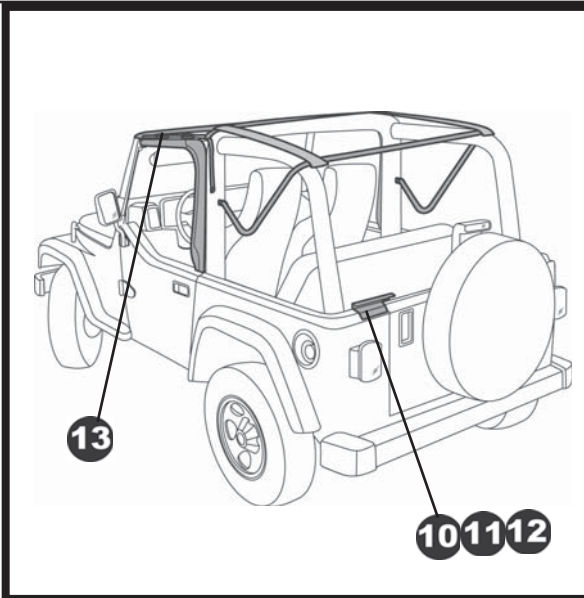
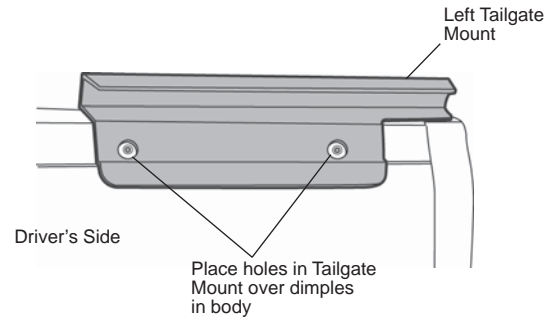
Locate the left and right Door Surrounds. Insert the pin in the bottom of the Door Surround into the hole in the belt rail behind the door.



Supertop NX Twill Installation Instructions

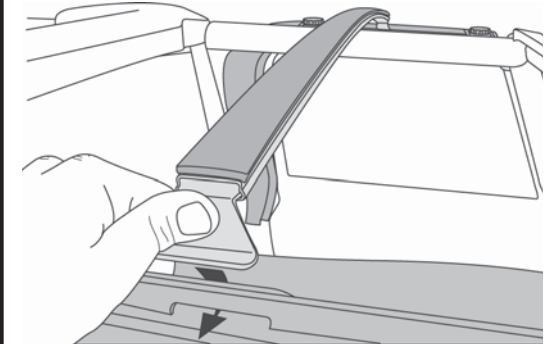
10 Orient Tailgate Mounts

Locate the left and right Tailgate Mounts. Place the holes in the mounts over the dimples in the vehicle body. Mark the hole locations.



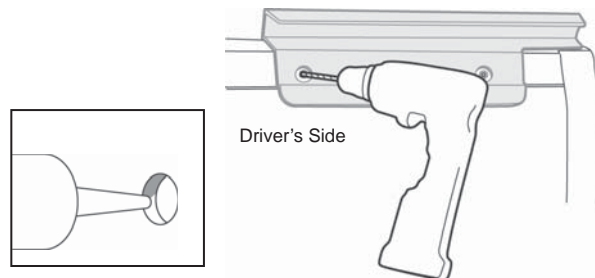
13 Install Top Arch

Remove the paper backing from the Top Arch. Insert one end of the top arch in to the slot in the middle of one of the Door Surrounds. Push the other end inward to flex the bow and insert it into the slot on the other side of the vehicle.



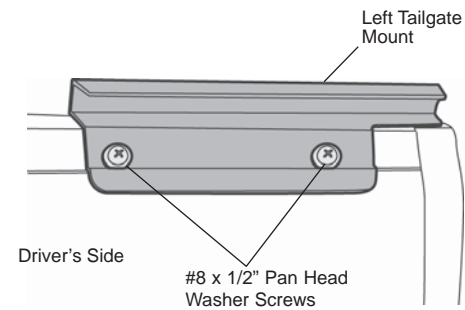
11 Drill Holes

Drill a 1/8" hole at the marked locations. Deburr the holes and seal the edges of the holes with Silicone Sealant.



12 Install Tailgate Mounts

Install the Tailgate Mounts with two #8 x 1/2" Pan Head Washer Screws for each mount.

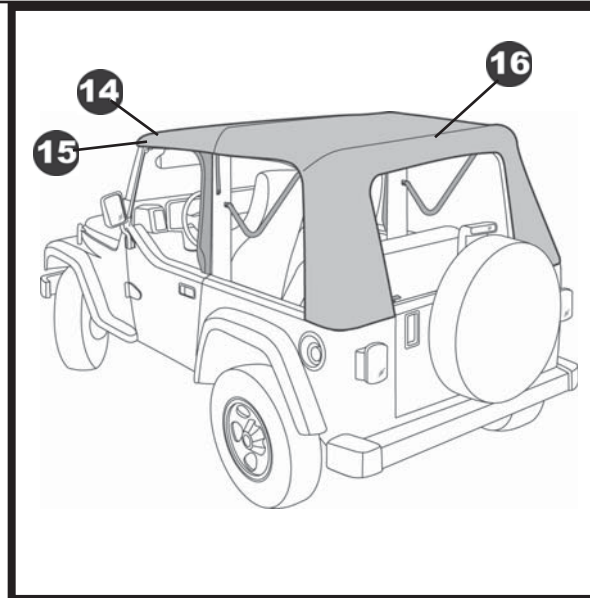
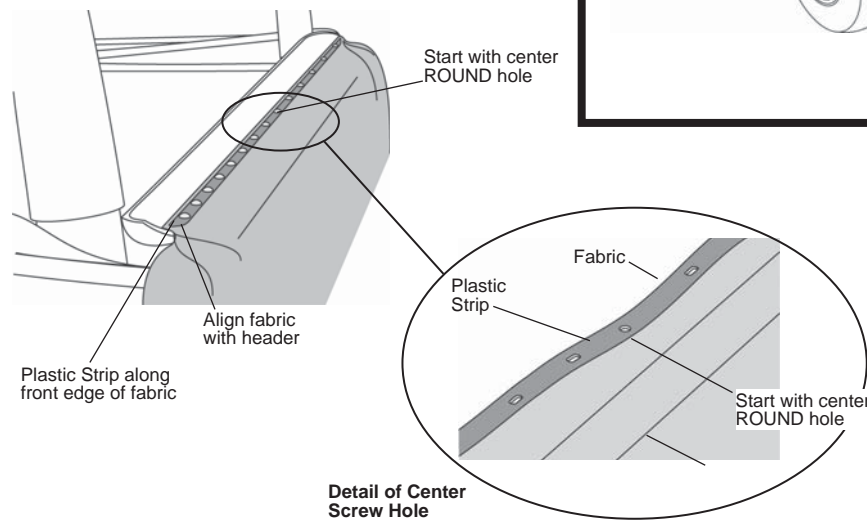


Supertop NX Twill Installation Instructions

14 Install Top Fabric on Header

In order to install the top fabric, make sure that all the Bows are in the folded down position on the rear of the vehicle.

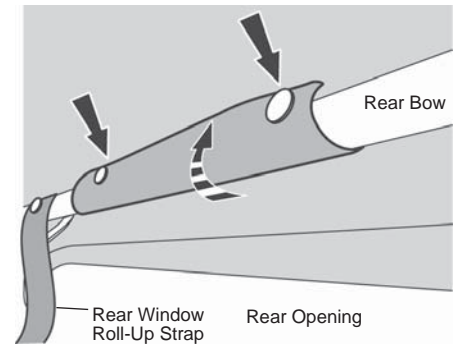
Lay the top fabric with the plastic strip facing up and aligned with the front edge of the header. Locate the round hole that marks the center of the plastic strip (all other holes are slotted). Install a #8 x 1/2" Pan Head Washer Screw in the round hole to secure the fabric to the header as well as to center the top. Then proceed to install screws in the remaining seven holes along the front of the header.



16 Snap Flaps to Rear Bow

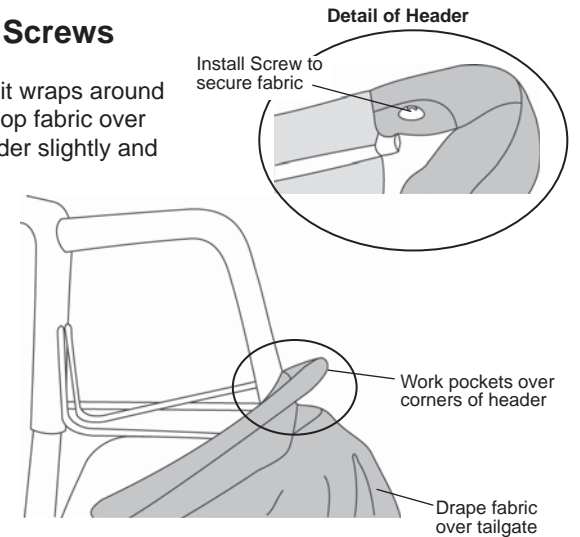
Raise the header and bow assembly toward the windshield and into position.

Inside the top, snap the fabric to the Rear Bow (four snaps). Snap the Rear Window Roll-Up Straps to the outer snap on the bow on each side.



15 Install Corner Screws

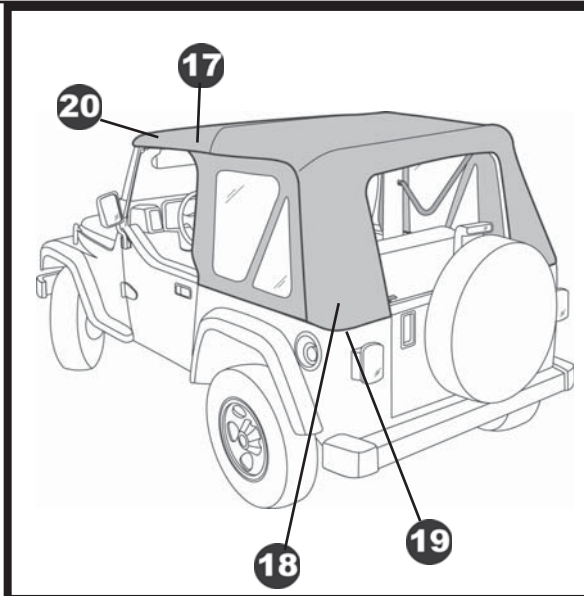
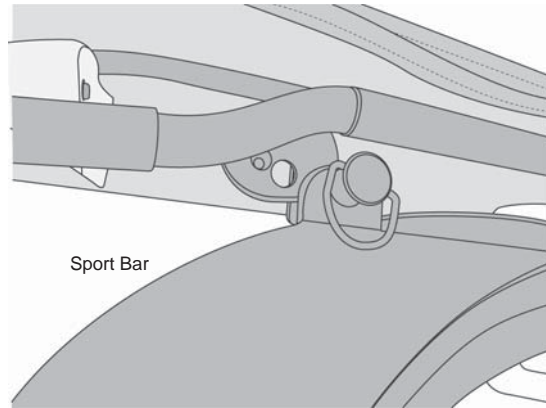
Flip the fabric over so that it wraps around the header and drape the top fabric over the tailgate. Raise the header slightly and work the pockets in the fabric over the corners of the header. Install an oval head screw in each corner to secure the fabric to the header.



Supertop NX Twill Installation Instructions

17 Secure Side Bow to Door Surround

Clip the locking block on the Side Bow into the rail on the Door Surround.

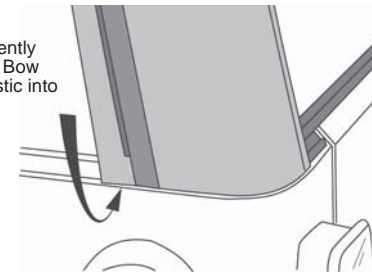


19 Secure Rear Corners

Make sure that the Center Bow is centered in the hook and loop flap inside the top. Do not fasten the flap at this time.

Pull down gently on the Rear Bow and work the plastic sewn to the rear corners of the top into the retainer on the vehicle.

Pull down gently on the Rear Bow and slip plastic into retainer



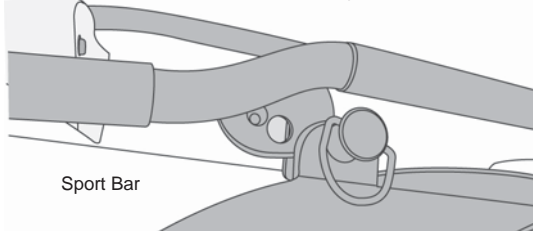
18 Install Plastic Corner Stiffeners

Open the zipper inside the rear corner of the top and install a plastic stiffener in the pocket. Repeat this on both sides of the vehicle.

Install Plastic Stiffener in Pocket

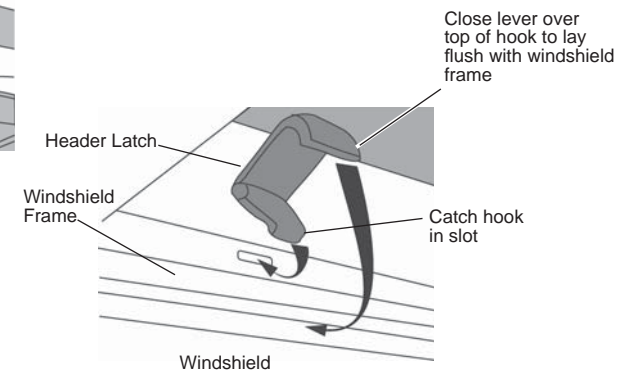


NOTE Make sure the Side bow is latched to the Door surround before you latch the header.



20 Secure Header to Windshield

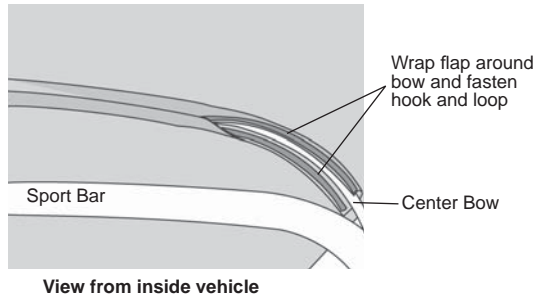
Close the header latches to secure the front of the top to the windshield. Catch the hook in the slot in the windshield frame and then close the lever over it so that it lays flat against the windshield frame.



Supertop NX Twill Installation Instructions

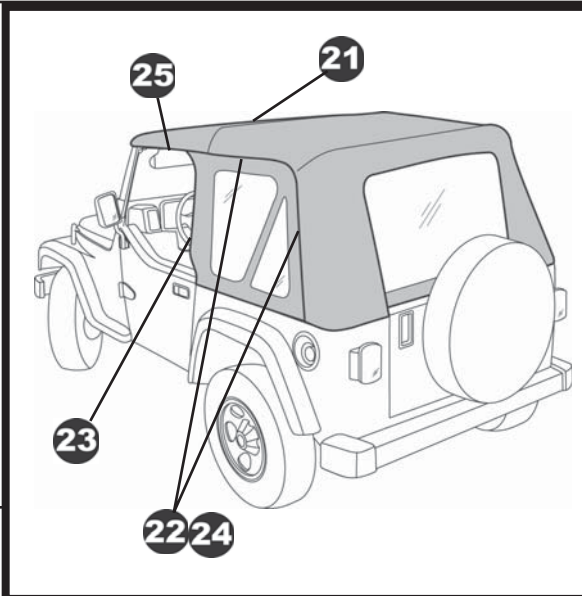
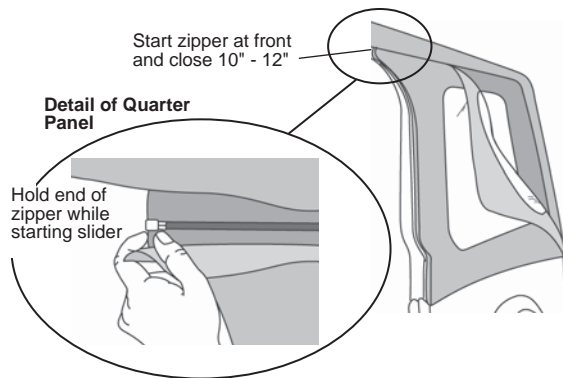
21 Secure Center Bow

Wrap the hook and loop flap inside the top around the Center Bow and fasten it to itself.



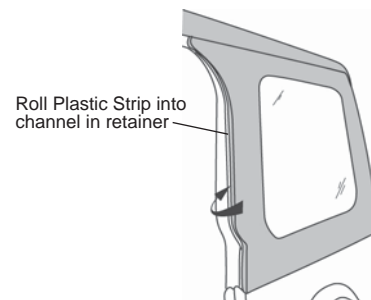
22 Attach Quarter Panel Zippers

Locate the left and right Quarter Panels and orient them with the zipper along the top and rear of the panel. Start the zipper at the front top corner of the Quarter Panel, next to the door. Hold the end of the zipper and close the zipper slider 10" - 12" along the top of the panel.



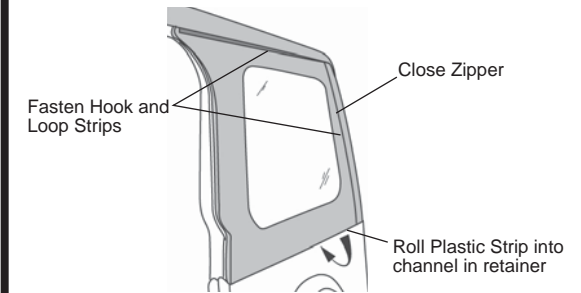
23 Secure Front of Quarter Panels

Roll the plastic along the front of the Quarter Panel into the channel of the Door Surround on the vehicle.



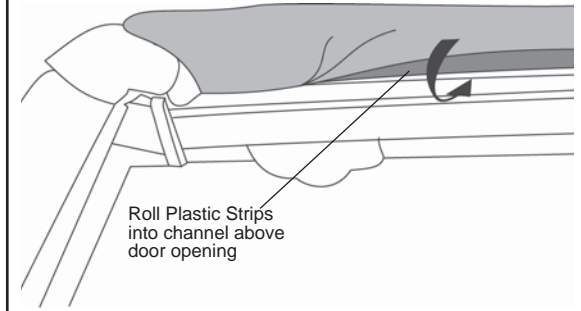
24 Secure Quarter Panels

Close the zippers on the Quarter Panels the rest of the way to the lower rear corner of the panel. Start at the rear and roll the plastic along the bottom of the panel into the retainer on the vehicle. Then fasten the hook and loop strips along the top and rear of the panel to the top.



25 Secure Top above Door Openings

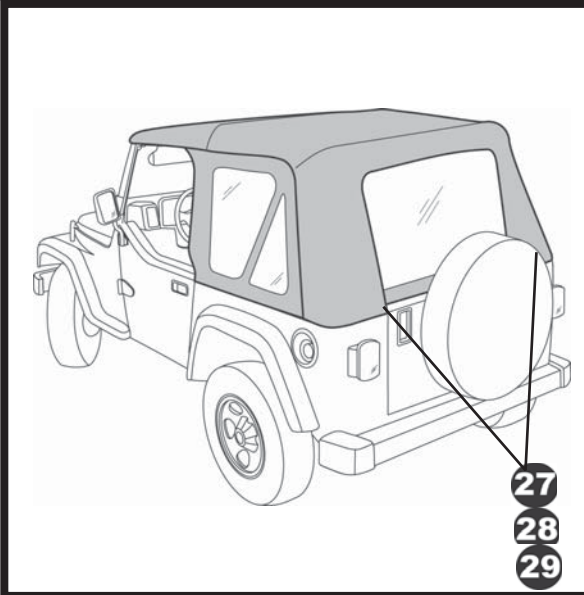
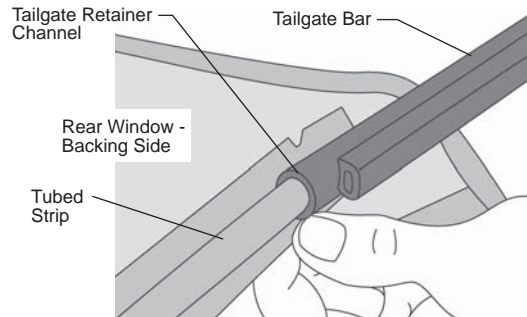
Locate the two plastic strips sewn to the sides of the top, above each door. Slip the strips into the channel in the Door Surround above the door opening. It is easiest to insert the front plastic strip into the channel first.



Supertop NX Twill Installation Instructions

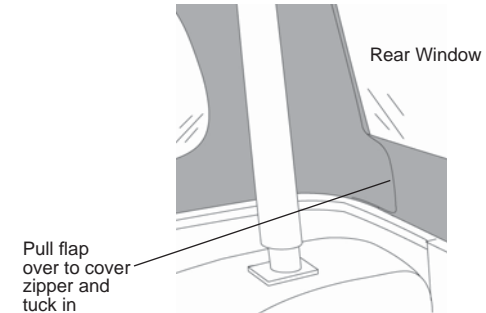
26 Install Tailgate Bar on Rear Window

Remove the Rear Window from the box and lay it flat with the backing side up. Locate the Tailgate Bar set aside in Step One. The bar has a "C" shaped channel, when viewed from the end. Orient the bar with the round seal down and slide the "C" channel on the retainer onto the tubed strip sewn to the backing side of the Rear Window.



29 Rear Window Flaps

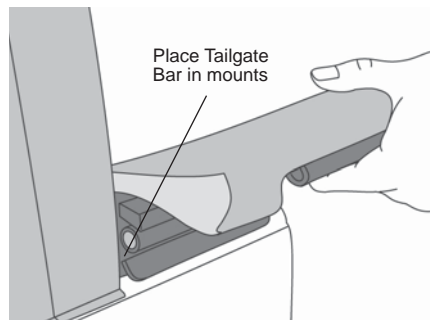
Inside the top locate the flaps sewn to the top on each side of the rear window opening. Pull the flaps over to cover the zipper and tuck them in.



View from inside top

27 Install Tailgate Bar on Vehicle

Insert the Tailgate Bar into the mounts on each side of the tailgate opening with the vinyl side of the Rear Window toward the outside of the vehicle.

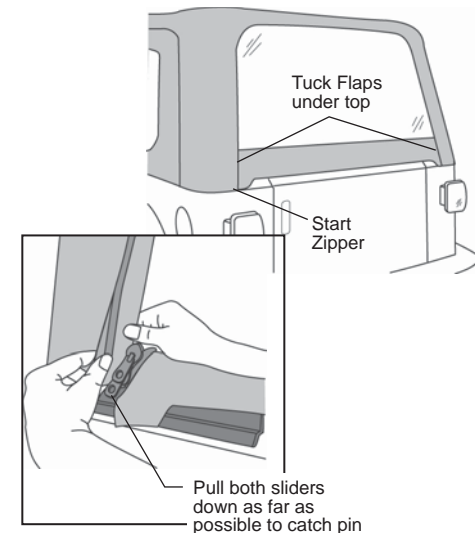


28 Secure Rear Window Zippers

To start the zipper, pull the two sliders as far down as possible on the driver's side of the window in order to catch the sliders to the pin.

Once the zipper is caught, start the top slider 1/2". Then hold up the top of the window with one hand and close the zipper with the other. The zipper is sandwiched between layers of fabric in the corners so be careful not to catch extra fabric in the zipper. Close the zipper.

Make sure that the Tailgate Bar is centered and is securely in the mounts. Then tuck the flaps on the Rear Window under the tailgate mounts.



Supertop NX Twill Installation Instructions



WARNING

When operating the vehicle without the Quarter Windows, the

Rear Window should be rolled up and secured with the elastic garters for proper ventilation.

30 To Fold the Top Down Remove Quarter Panels and Rear Window

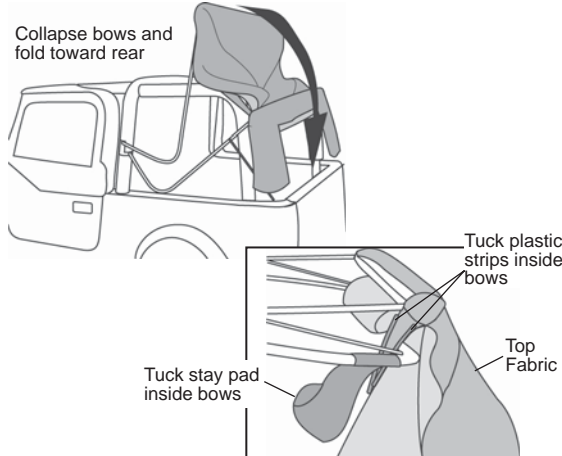
Remove the Quarter Panels and the Rear Window. To remove the Quarter Windows, unzip the rear and top zippers. Release the plastic strip from the retainer. Release the Hook and Loop Fasteners from around the Vertical Retainer.

To roll up the Rear Window, remove the Tailgate Bar and open the zippers on each side of the window to the top. Start at the bottom and roll the window to the inside. Avoid wrinkles in the fabric and window. Secure it in place with the elastic garters inside of the top.

31 To Fold the Top Down Collapse Top

Release the front of the top from the windshield. Raise the front of the deck and collapse the rear bows, tucking the two plastic strips above the door openings and the stay pad on the rear bow inside of the bows. Wrap the fabric around the bows, then tuck the rear legs of the top under the bows.

Collapse bows and fold toward rear

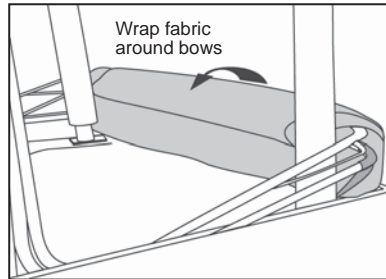


Tuck plastic strips inside bows

Top Fabric

Tuck stay pad inside bows

Wrap fabric around bows



Supertop NX Twill Installation Instructions

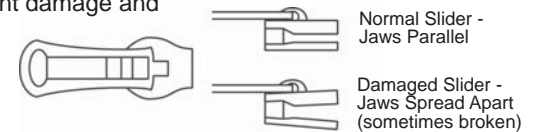
Care and Maintenance of your Bestop Product

Your Bestop product is made of the finest materials available. To keep it looking new and for the maximum possible life, it will need periodic cleaning and maintenance.

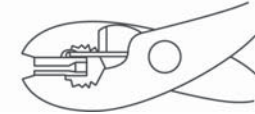
Fabric: The fabric should be washed often using soap, warm water and a soft bristle brush. Rinse with clear water to remove all traces of soap. Bestop recommends using 303 CONVERTIBLE TOP Cleaning & Care Kit (part no. 30520) which is specially formulated to provide a total cleaning and protection system.

Windows: Keep windows clean to avoid scratching. DO NOT use a brush on the windows! Wash with a water-soaked cloth or sponge and a mild dishwashing detergent. Bestop recommends Bestop Vinyl Window Cleaner (part no. 11203-00), which safely cleans and protects vinyl windows and helps prevent UV damage. NEVER WIPE THE WINDOWS WHEN THEY ARE DRY. Be careful when cleaning snow or frost from the vinyl windows since they are easily scratched and may crack at low temperatures. DO NOT roll the sides or rear window in cold weather. The windows become stiff and will crack. Cracks caused by misuse in cold temperatures are not covered under warranty.

Zippers: Keeping zippers cleaned and lubricated with Bestop's Zipper Cleaner (part no. 11206-00) will help prevent damage and keep the zippers in smooth working condition. If a zipper opens behind the slider, the slider may have been spread apart. This problem can usually be repaired by using an ordinary pair of pliers to bring the sides back into parallel. Return slider to the end of the zipper in the normal Open position. Squeeze lightly at first and test the zipper. If the zipper continues to remain open squeeze more firmly with the pliers and try the zipper again. Repeat this procedure until the zipper operates correctly.



Water: Seeping through at the seams may be stopped by applying 3-M Scotchgard® on the inside of the seams. Rips in the fabric may be repaired with Bondex® iron on patches. Iron the patches to the Inside of the top, carefully following the Bondex® instructions.



Snaps: Keep snaps cleaned and lubricated with silicone to help prevent snaps from sticking to the studs. If a snap does become stuck to a stud, use a screwdriver and GENTLY pry apart to prevent permanent damage to the snap or the top fabric.

Supertop NX Twill Installation Instructions

BESTOP TWILL SOFT TOP LIMITED LIFETIME WARRANTY

As long as the original purchaser owns the vehicle upon which the top was originally installed.

We warrant our product to be free from defects in material and workmanship, for the terms specified below, provided there has been normal use and proper maintenance. This warranty applies to the original purchaser only. All remedies under this warranty are limited to the repair or replacement of any item or items found by the factory to be defective within the time period specified. If you have a warranty claim, first you must call our factory at the number below for instructions. You must retain proof of purchase and submit a copy with any items returned for warranty work. Upon completion of warranty work, if any, we will return the repaired or replaced item or items to you freight prepaid. Damage to our products caused by accidents, fire, vandalism, negligence, misinstallation, misuse, Acts of God, or by defective parts not manufactured by us, is not covered under this warranty.

What's covered?

All defects in materials or workmanship on Bestop Twill products. This warranty does not apply to other Bestop products.

This warranty and any implied warranties including merchantability and fitness for a particular purpose, lasts as long as the original retail purchaser owns the vehicle upon which the product is installed. The warranty expires should the product be removed from the original vehicle or if the original vehicle is transferred to another owner. This warranty is not transferable.

What Bestop will do.

During the warranty period as written above, Bestop shall, at its option, either repair or replace any defective product at no charge. Bestop will not pay for labor charges associated with installation or removal of the product. Should a specific product be discontinued, Bestop may, at its option replace the discontinued product with a current product or like product.

The Warranty does not cover:

Damage, defect, or malfunction caused by misuse, abuse, accident, fire, improper installation, modification, improper or inadequate maintenance, or hazards, or acts of God. Incidental or consequential damages are not covered under this warranty. Some states do not allow exclusion or limitation, so this may not apply to you. This warranty gives you specific legal rights, and you may have other rights which vary from state to state.

Warranty Service:

Retain your proof of purchase. Proof of purchase must accompany any warranty claim. A defective item should be returned to the place of purchase. Bestop's Customer Service may be contacted for help determining whether a product is defective. Bestop Customer Service may be reached a 1-800-845-3567, or via e-mail at cs@bestop.com.

Some states do not allow limitations on how long an implied warranty lasts, or the exclusion or limitation of incidental or consequential damages, so the above limitations or exclusions may not apply to you. This warranty gives you specific legal rights, and you may also have other rights which vary from state to state.



For further information or request for warranty work, please contact:
Bestop Inc., Customer Service
Toll-Free: (800) 845-3567
Main: (303) 465-1755
E-mail: csbestop@Bestop.com
Website: www.Bestop.com