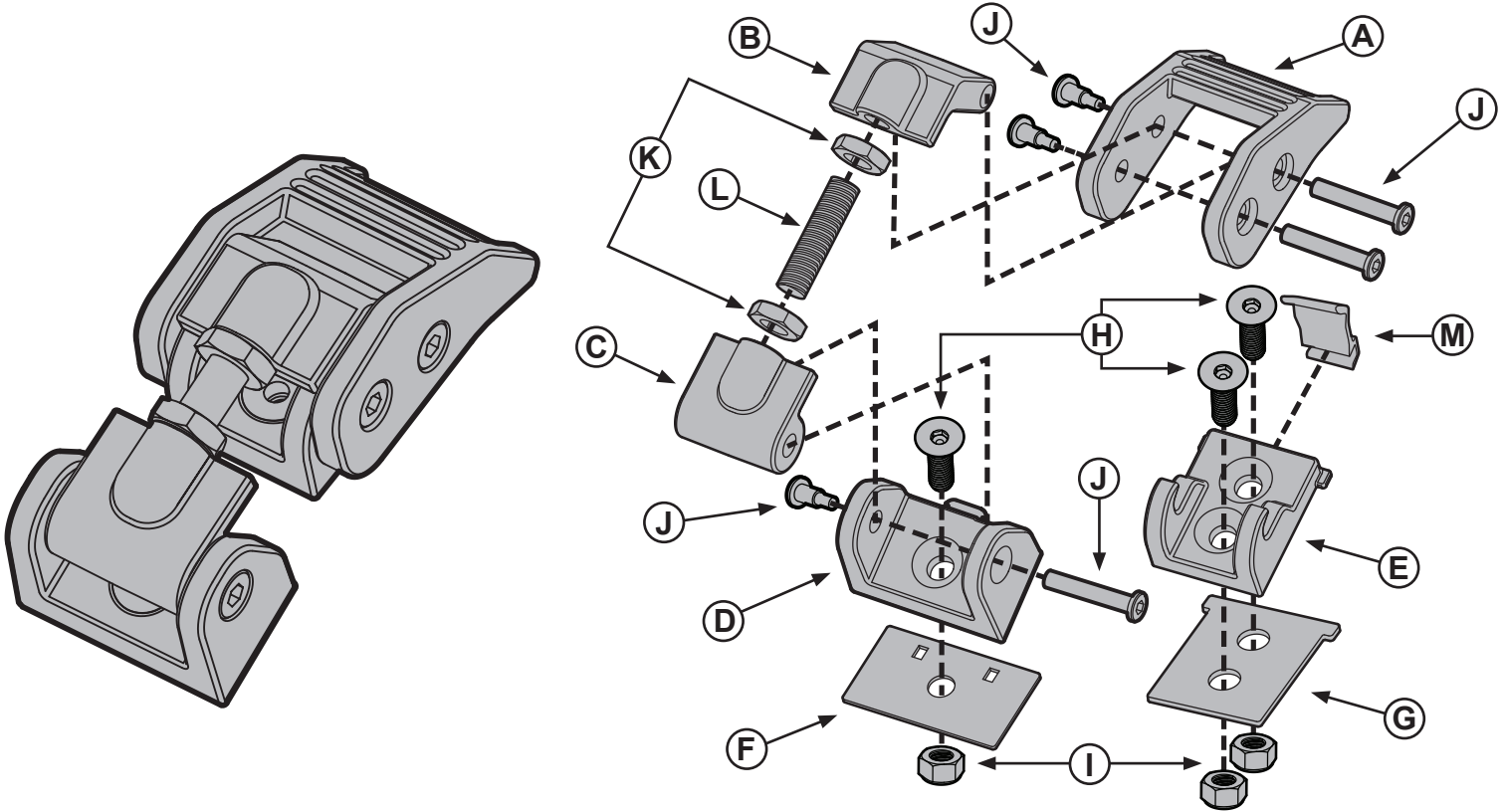




OMIX-ADA, Inc.

11210.11 (Black)  
 11116.07 (Silver)  
 11116.70 (Gun Metal)

# JEEP® JK ALUMINUM HOOD CATCH PATENT PENDING



**Contents:**

- A - Latch
- B - Latch Joint
- C - Pivot Base Joint
- D - Pivot Base
- E - Catch
- F - Pivot Base Gasket
- G - Catch Gasket
- H - Flat Head Bolts
- I - Lock Nuts
- J - Binding Posts
- K - Jam Nuts
- L - Adjustment Rod
- M - Safety Snap

**Suggested Tools:**

- Basic Hand Tools

**OMIX-ADA® TECHNICAL SUPPORT**

**PHONE:** M-F 8am - 5pm EST 1-800-449-6649 | **EMAIL:** techsupport@omix-ada.com

**FOR WARRANTY INFORMATION VISIT:** [www.Omix-Ada.com](http://www.Omix-Ada.com)



OMIX-ADA, Inc.



11210.11 (Black)  
11116.07 (Silver)  
11116.70 (Gun Metal)

# JEEP® JK ALUMINUM HOOD CATCH PATENT PENDING

1. Remove the factory hood catch.

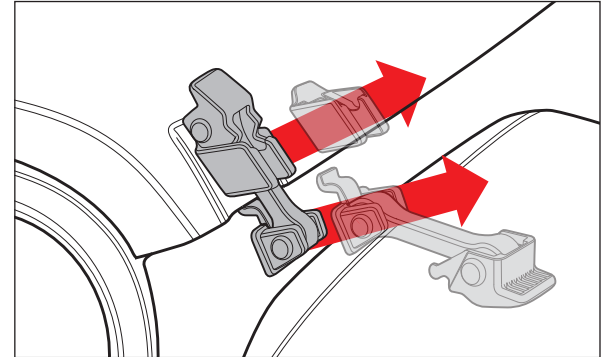


Figure 1

2. Pull/remove the hood bumper from the factory hood catch.

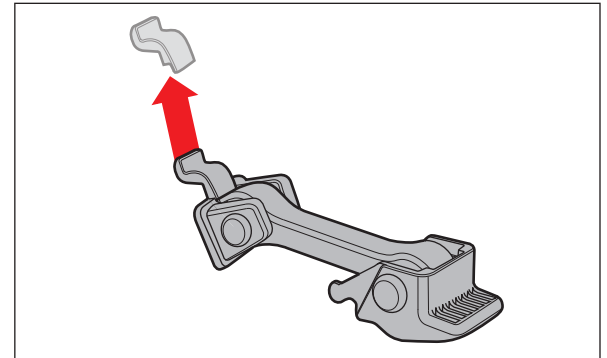


Figure 1

3. Remove the pivot base from the Aluminum Hood Catch assembly.

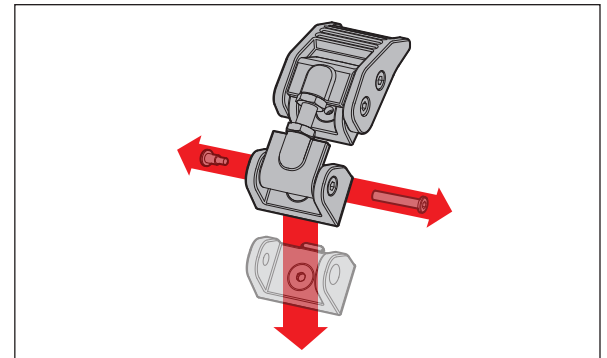


Figure 1

4. Attach the hood bumper (Removed in Step 2) to the pivot base.

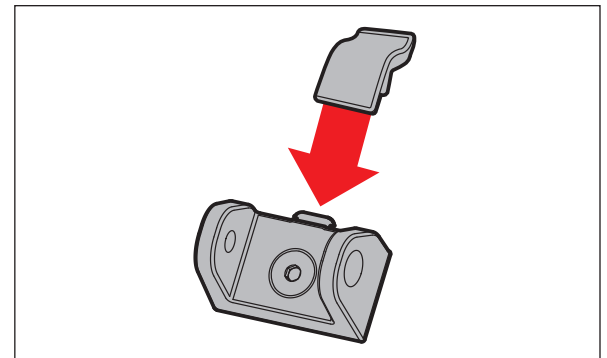


Figure 1



OMIX-ADA, Inc.



11210.11 (Black)  
11116.07 (Silver)  
11116.70 (Gun Metal)

# JEEP® JK ALUMINUM HOOD CATCH PATENT PENDING

5. Fasten the catch to the hood. Fasten the pivot base to the fender.

**NOTICE** Be sure safety snap is securely attached to catch.

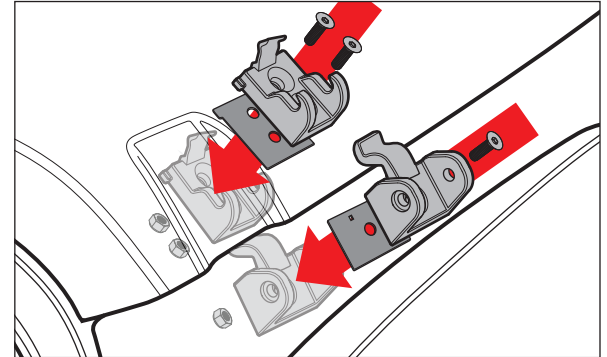


Figure 1

6. Re-attach the Aluminum Hood Catch assembly to the pivot base using the binding posts removed in Step 3.

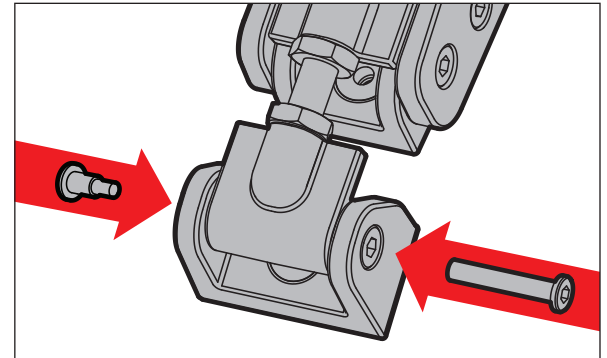


Figure 1

7. Adjust the Aluminum Hood Catch by first releasing the latch. With jam nuts loose, rotate latch clockwise to increase tension or counter clockwise to decrease tension. When adjusted properly, hood should contact and slightly compress the hood bumper.

**NOTICE** Be sure adjustment rod has thread engagement equal or greater to 3 threads on each end. Operating vehicle with inadequate thread engagement could result in damage to vehicle.

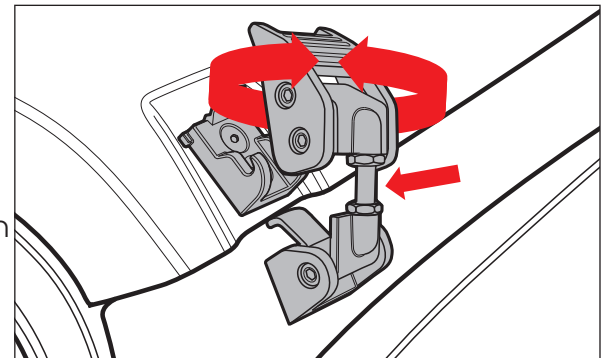


Figure 1

8. Your Aluminum Hood Catch is installed and road ready!

