



# Installation Instructions Sailcloth Replace-a-top™ with Tinted Windows

Upper Door Skins not included

## Vehicle Application

- Jeep Wrangler Unlimited (JK) 4 Door  
2007 and newer  
Part Number: 79137

[www.Bestop.com](http://www.Bestop.com) - We're here to help! Visit our web site and click on ["Ask a Question"](#). Click here for more [Jeep Accessories by Bestop](#).

<b>INSTALLATION TIME</b>	<b>SKILL LEVEL</b>
1 1/2 Hours	2 - Moderately Difficult

**TOOLS**

Phillips Screwdriver	Masking Tape	Safety Glasses



**CAUTION** Safety glasses should be worn at all times while installing this product.

**Installation Tips**  
Before you begin installing this assembly, read all instructions thoroughly.

**For a smooth fit:**  
For ease in installation, the product should be installed at temperatures above 72° F. Below this temperature, the fabric may contract an inch or more, making it difficult to fit to the vehicle. It is normal for fabric to contract and wrinkle when stored in the shipping carton. Within a few days after the installation, the fabric will relax and the wrinkles will disappear.

**WARNING** This product is designed primarily to enhance the appearance of the vehicle and to shield the occupants from ordinary weather conditions. Do not rely in any way on the components of this product to contain occupants within the vehicle, or to protect against injury or death in the event of an accident. This product will not protect the occupants from falling objects. Never operate the vehicle in excess of manufacturer's specifications.

**WEAR SEAT BELTS AT ALL TIMES**

Read and follow, precisely, all installation instructions provided when installing product. Failure to do so may result in a poor fit and could place occupants of the vehicle in a potentially dangerous situation.

# Sailcloth Replace-a-top™ with Tinted Windows – Installation Instructions

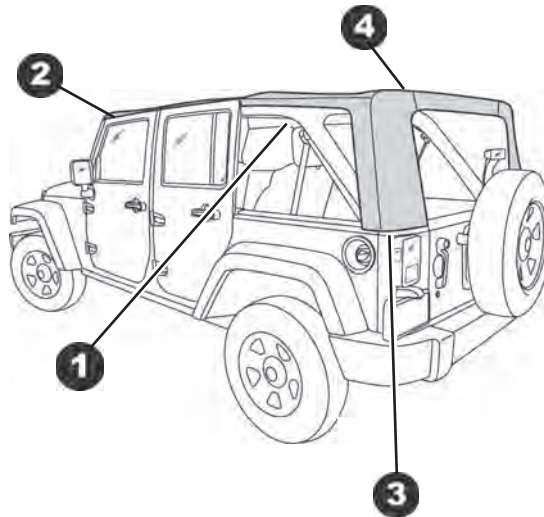
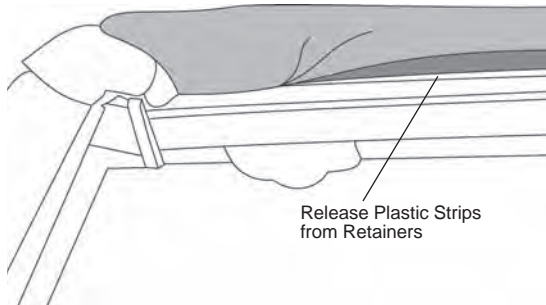
## Parts List

Fabric Top	Qty - 1
Quarter Window, Right	Qty - 1
Quarter Window, Left	Qty - 1
Rear Window	Qty - 1
Elastic Garter	Qty - 2

### 1 Remove Quarter Windows and Rear Window

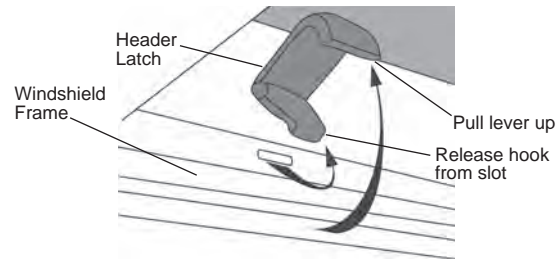
Remove the Quarter Windows and the Rear Window. Remove the metal Tailgate Bar from the bottom of the Rear Window and set it aside.

Release the plastic strip sewn to the top above the doors. Pull down and out to slip the plastic out of the channel.



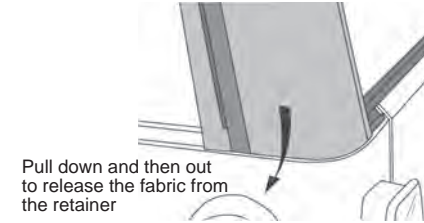
### 2 Release Windshield Latches

Release the latch that secures the header to the windshield. Pull up on the lever and then down and out to release the hook from the slot in the windshield frame.



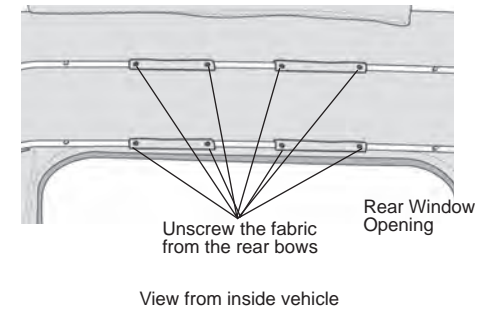
### 3 Release Rear Corners

Release the rear corners of the top. Pull gently down and then out to release the plastic strip from the retainer on the vehicle.



### 4 Release Rear 2 Bows

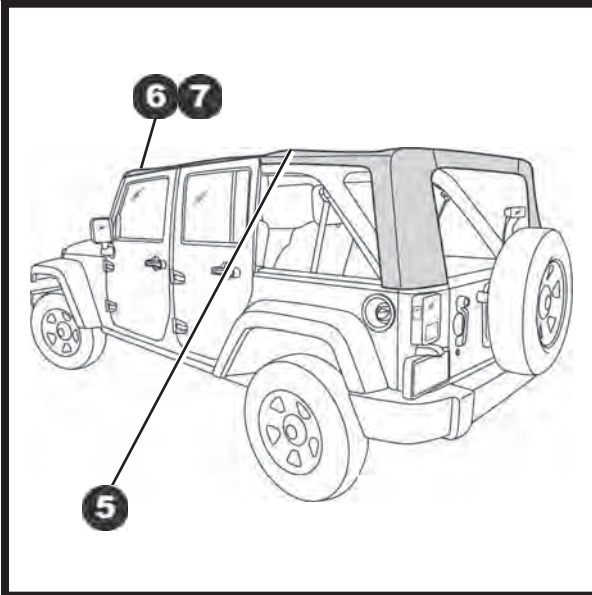
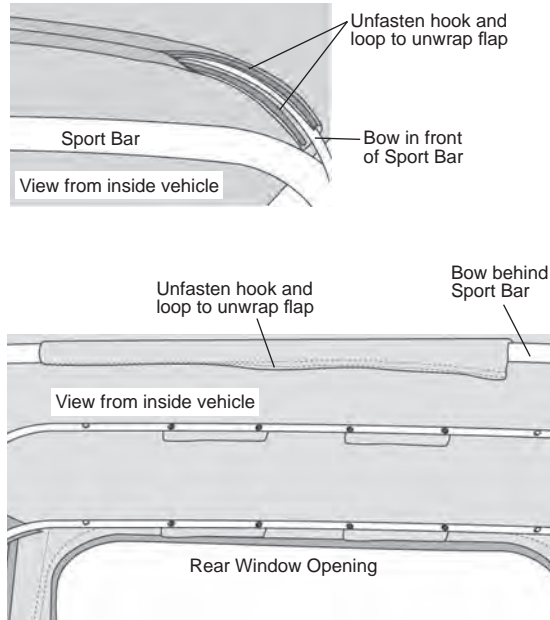
Use a phillips screwdriver to remove the four screws that attach the flaps in the top to the two Rear Bows. Set the screws aside to be reused later. Allow the bows to drop onto the tailgate.



# Sailcloth Replace-a-top™ with Tinted Windows – Installation Instructions

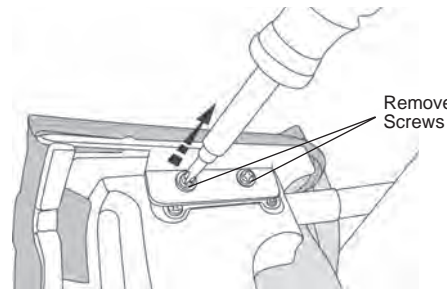
## 5 Unfasten Center Bows

Unfasten the hook and loop flaps around the Bows on each side of the sport bar.



## 6 Remove Header Screws

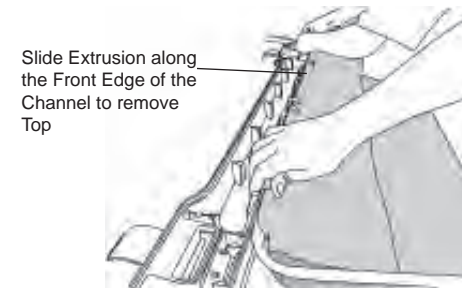
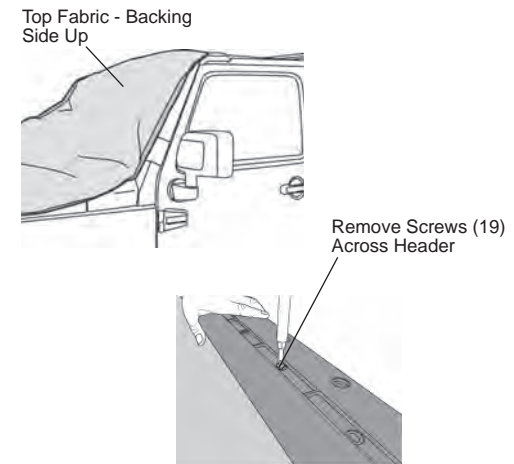
Collapse the bow assembly down onto the tailgate. With the bow assembly laying on the tailgate, remove the screws that fasten the fabric to the corners of the lower header. Set the screws aside for use in installing the new fabric.



## 7 Remove Top Fabric

Raise the bow assembly and lock the header to the windshield.

Drape the top fabric, backing side up, over the hood and windshield. Remove the nineteen (19) screws that secure the fabric to the upper and lower headers. Set the screws aside for use in installing the new top. Slide the extrusion along the front edge of the top out of the channel in the lower header and remove the old top from the vehicle.



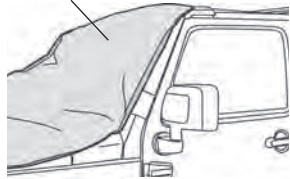
# Sailcloth Replace-a-top™ with Tinted Windows – Installation Instructions

## 8 Install Top Fabric

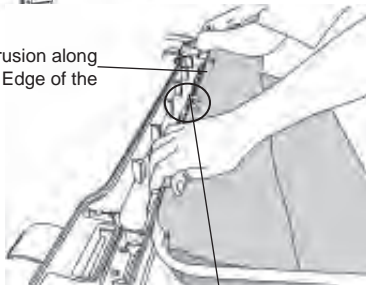
Raise the bow assembly and lock the header to the windshield.

Drape the top fabric, backing side up, over the hood and windshield. Slide the extrusion along the front edge of the top into the channel in the lower header. Line up the center notch in the fabric with the center notch in the header. Use masking tape to help hold the fabric in place along the lower header.

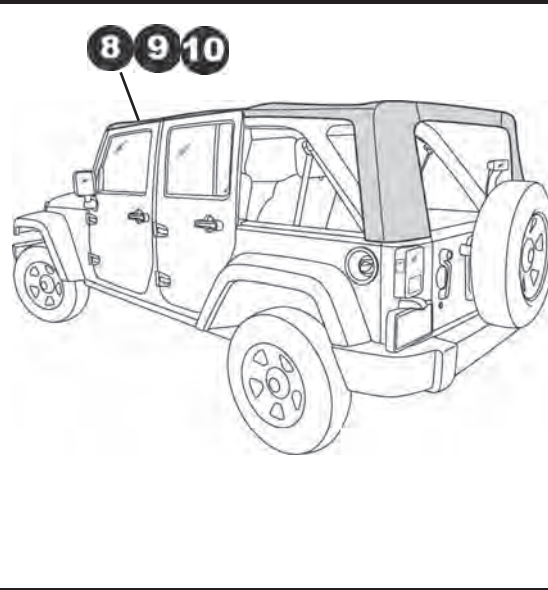
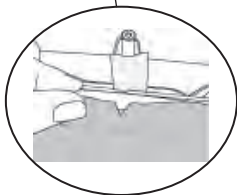
Top Fabric - Backing Side Up



Slide Extrusion along the Front Edge of the Channel

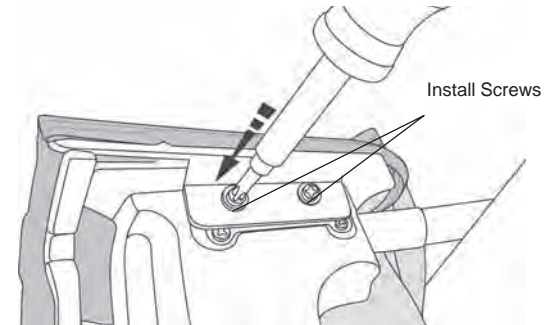


Line up the Center Notch in the Fabric with the Center Notch in the Header



## 10 Install Corner Screws

Wrap the fabric around the header and raise the header slightly to work the pockets in the fabric over the corners of the header. Install the screws removed in Step 6 in each corner to secure the fabric to the header.

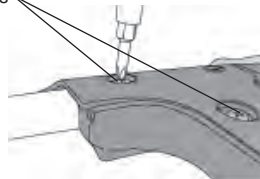


## 9 Install Top Fabric

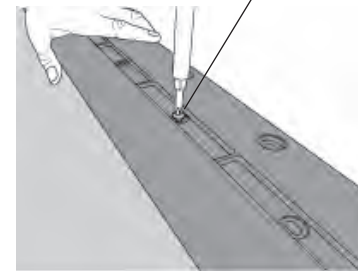
Close the upper header over the fabric, sandwiching the fabric. Reinstall the four (4) corner screws. Then install the nineteen (19) screws across the header.

Lower the bow assembly to the rear of the vehicle.

Reinstall Corner Screws



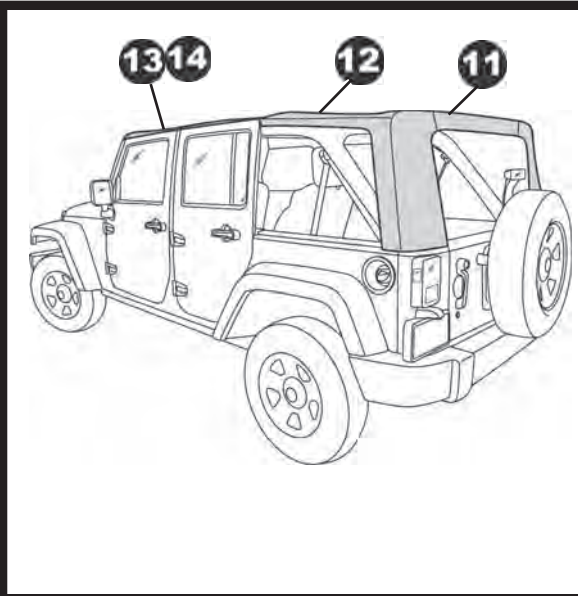
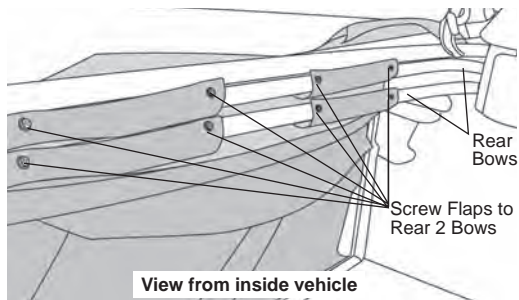
Install Screws Across Header



# Sailcloth Replace-a-top™ with Tinted Windows – Installation Instructions

## 11 Attach Top to Rear 2 Bows

Raise the header and bow slightly to allow you to attach the rear bow flaps, that are inside the top above the rear window opening, to the rear bow. Use the screws that were removed in Step 5 to secure the flaps to the bow. Then secure the flaps to the bow in front of the rear bow.



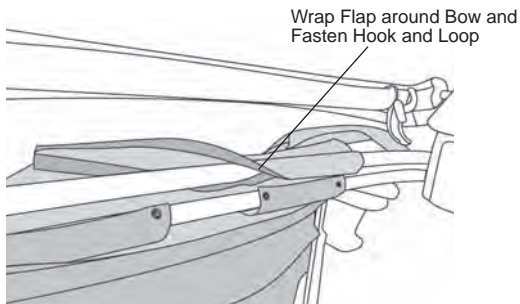
## 13 Install Bow Assembly

Open the Top Assembly and drape it over the cab of the vehicle.

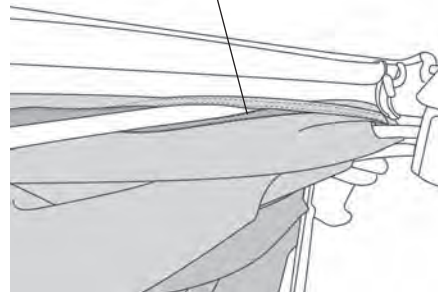


## 12 Secure Center Bows

Wrap the hook and loop flaps around the Bow in the center of the top.

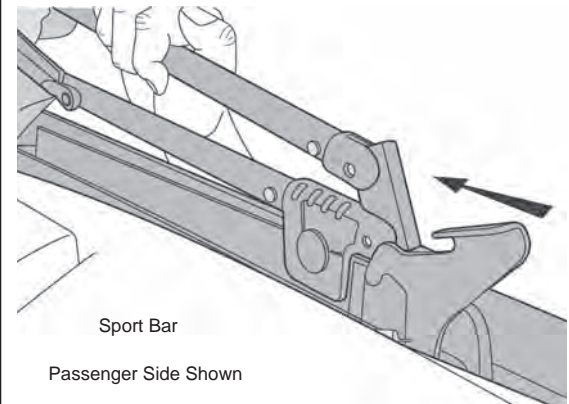


Wrap Flap around Bow and Fasten Hook and Loop



## 14 Secure Bow Assembly

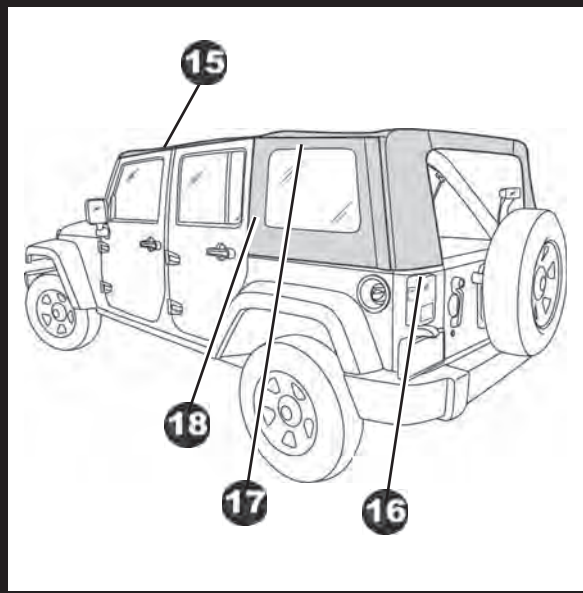
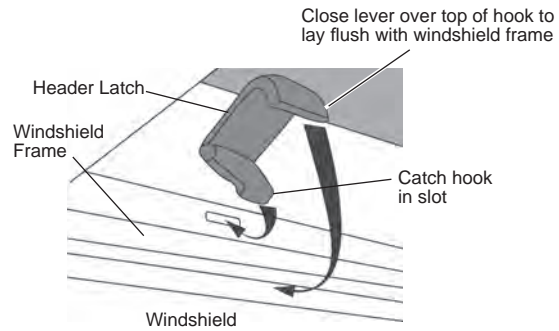
Slide the Pivot Assembly on the Top along the track above the door until it latches into place.



# Sailcloth Replace-a-top™ with Tinted Windows – Installation Instructions

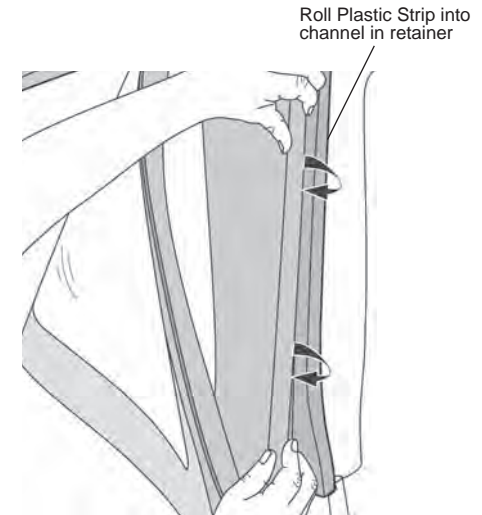
## 15 Secure Header to Windshield

Close the header latches to secure the front of the top to the windshield. Catch the hook in the slot in the windshield frame and then close the lever over it so that it lays flat against the windshield frame.



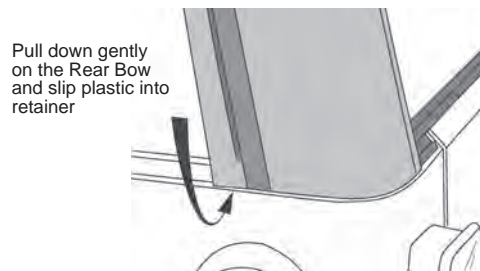
## 18 Secure Front of Quarter Window

Roll the plastic strip along the front of the Quarter Window into the channel in the Door Surround.



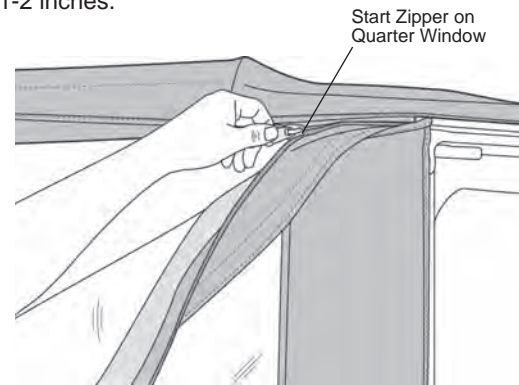
## 16 Secure Rear Corners

Pull down gently on the Rear Bow and work the plastic sewn to the rear corners of the top into the retainer on the vehicle.



## 17 Attach Quarter Window Zippers

Start the zipper on the Quarter Window and close it 1-2 inches.

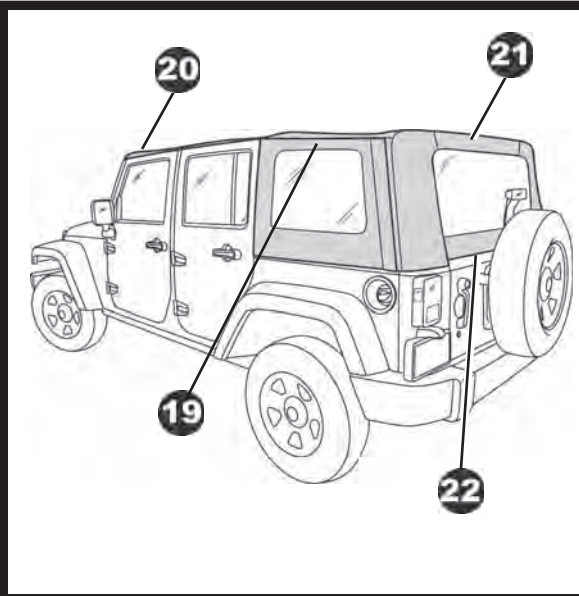
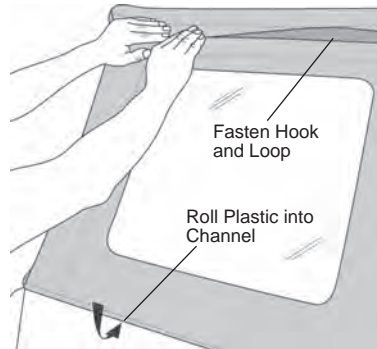


# Sailcloth Replace-a-top™ with Tinted Windows – Installation Instructions

## 19 Secure Quarter Window

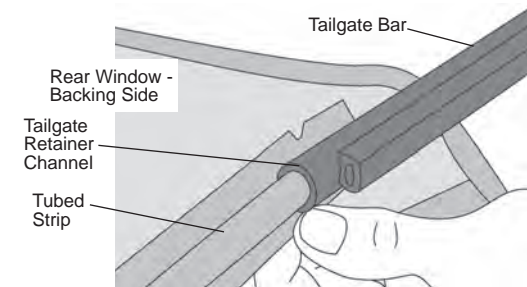
Close the zipper and slip the plastic along the bottom of the Side Window into the channel on the vehicle.

Fasten the hook and loop strip above the window to the top.



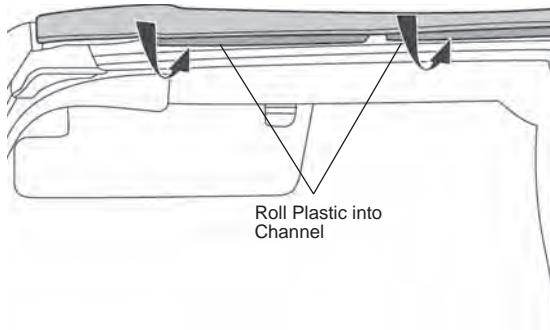
## 22 Install Tailgate Bar on Rear Window

Remove the Rear Window from the box and lay it flat with the backing side up. Locate the Tailgate Bar set aside in Step One. The bar has a “C” shaped channel, when viewed from the end. Orient the bar with the round seal down and slide the “C” channel on the retainer onto the tubed strip sewn to the backing side of the Rear Window.



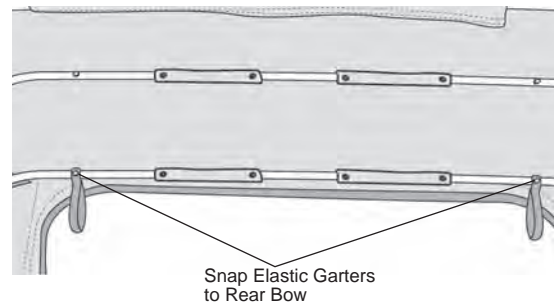
## 20 Secure Top above Door Openings

Slip the plastic strips above the doors into the channel on the vehicle.



## 21 Install Elastic Garters

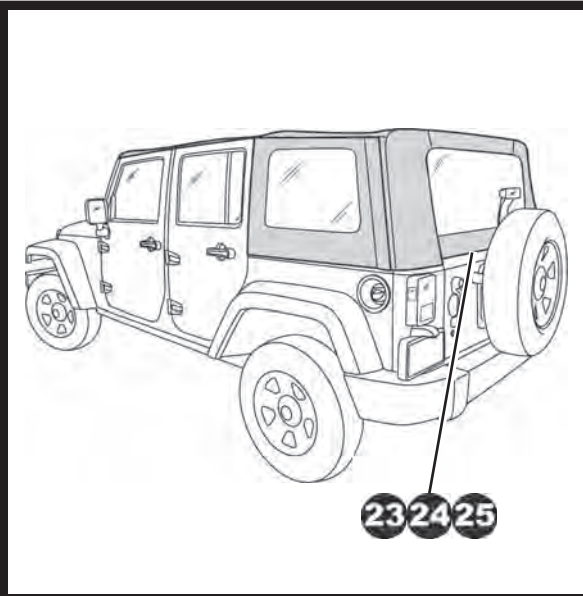
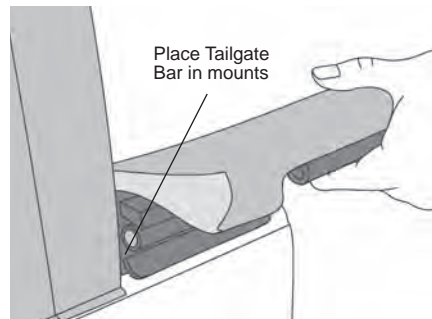
Snap the Elastic Garters to the snaps on the Rear Bow above the rear window opening.



## Sailcloth Replace-a-top™ with Tinted Windows – Installation Instructions

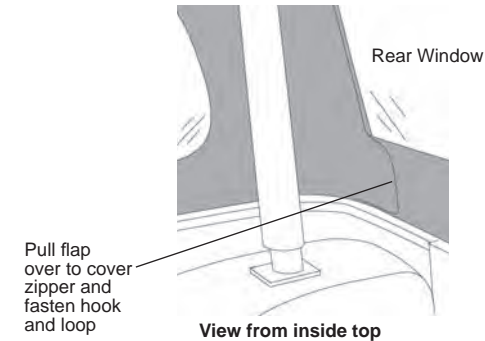
### 23 Install Tailgate Bar on Vehicle

Insert the Tailgate Bar into the mounts on each side of the tailgate opening with the vinyl side of the Rear Window toward the outside of the vehicle.



### 25 Secure Rear Window Flaps

Inside the top locate the flaps sewn to the top on each side of the rear window opening. Pull the flaps over to cover the zipper and fasten the hook strip on the top flap to the loop on the Rear Window.

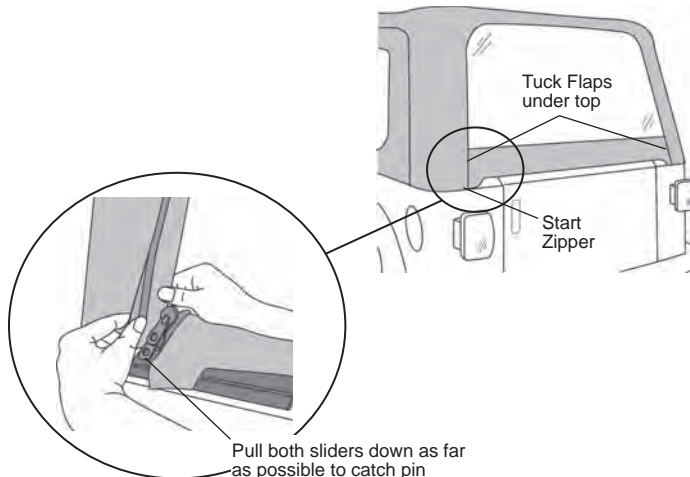


### 24 Secure Rear Window Zippers

To start the zipper, pull the two sliders as far down as possible on the driver's side of the window in order to catch the sliders to the pin.

Once the zipper is caught, start the top slider 1/2". Then hold up the top of the window with one hand and close the zipper with the other. The zipper is sandwiched between layers of fabric in the corners so be careful not to catch extra fabric in the zipper. Close the zipper.

Make sure that the Tailgate Bar is centered and is securely in the mounts. Then tuck the flaps on the Rear Window under the top fabric.





## Sailcloth Replace-a-top™ with Tinted Windows – Installation Instructions

**! WARNING** When operating the vehicle without the Quarter Windows, the Rear Window should be rolled up and secured with the elastic garters for proper ventilation.

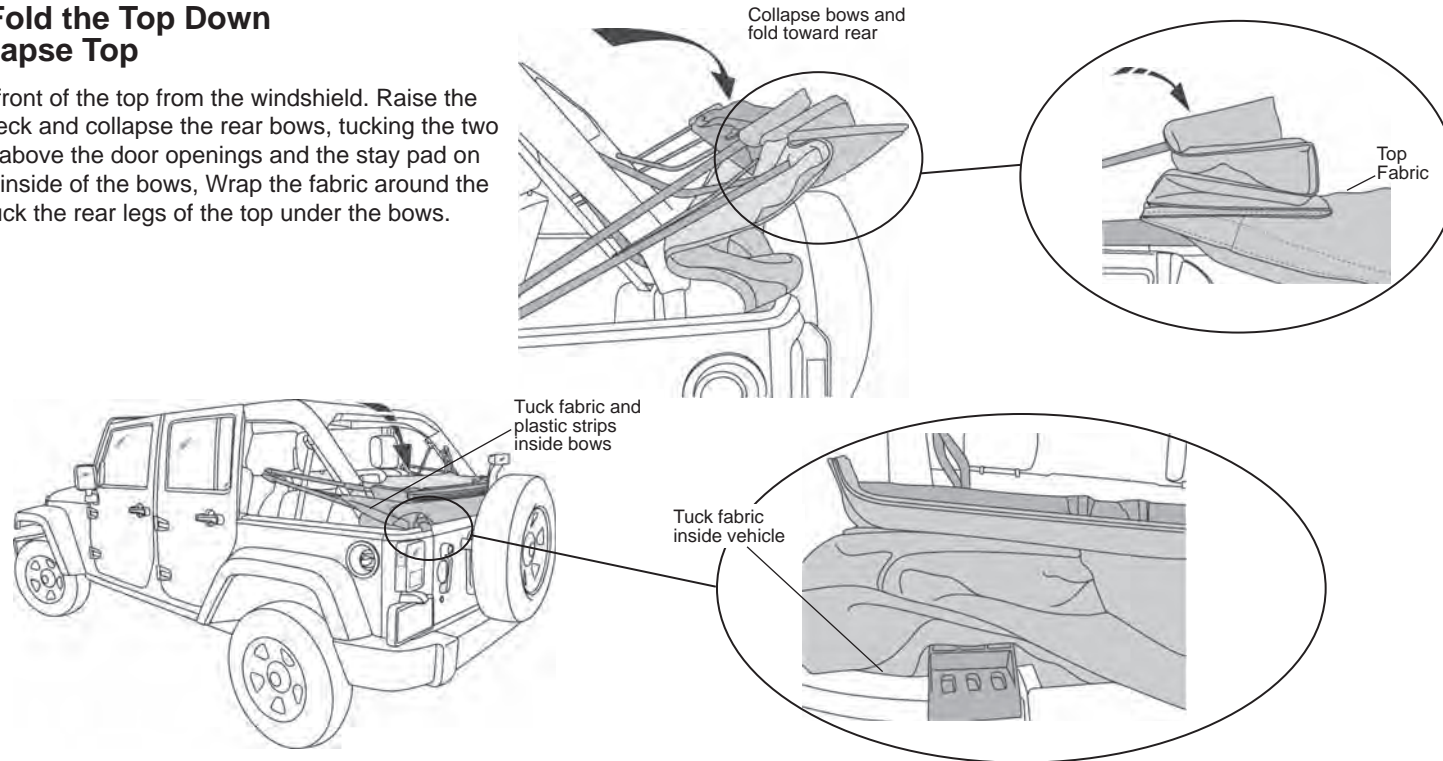
### 26 To Fold the Top Down Remove Quarter Windows and Rear Window

Remove the Quarter Panels and the Rear Window. To remove the Quarter Windows, release the hook and loop and unzip the rear and top zippers. Release the plastic strip from the retainer along the bottom and front of the panel.

To roll up the Rear Window, remove the Tailgate Bar and open the zippers on each side of the window to the top. Start at the bottom and roll the window to the inside. Avoid wrinkles in the fabric and window. Secure it in place with the elastic garters inside of the top.

### 27 To Fold the Top Down Collapse Top

Release the front of the top from the windshield. Raise the front of the deck and collapse the rear bows, tucking the two plastic strips above the door openings and the stay pad on the rear bow inside of the bows. Wrap the fabric around the bows, then tuck the rear legs of the top under the bows.



## Sailcloth Replace-a-top™ with Tinted Windows – Installation Instructions

---

### Care and Maintenance of your New Top

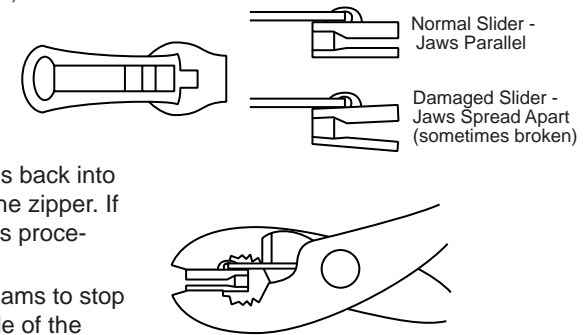
Your top is made of the finest materials available. To keep it looking new and for the maximum possible wear, it will need periodic cleaning and maintenance.

**Washing:** The fabric should be washed often using soap, warm water and a soft bristle brush. Rinse with clear water to remove all traces of soap.

**Zippers:** Keeping the zipper cleaned and lubricated with a silicone lubricant will help prevent damage and keep the zippers in a smooth working condition. If a zipper opens behind the slider, the slider may have been spread apart. This problem can usually be repaired by using an ordinary pair of pliers to bring the sides back into parallel. Return slider to the end of the zipper in the normal Open position. Squeeze lightly at first and test the zipper. If the zipper continues to remain open squeeze more firmly with the pliers and try the zipper again. Repeat this procedure until the zipper operates correctly.

**Water:** In the event of seeping through the seams, 3M Scotchgard® may be applied on the inside of the seams to stop the seepage. Rips in the fabric may be repaired with Bondex® iron on patches. Iron the patches to the Inside of the top, carefully following the Bondex® instructions.

**Snaps:** Keep snaps cleaned and lubricated with silicone to help prevent snaps from sticking to the studs. If a snap does become stuck to a stud, use a screwdriver and GENTLY pry apart to prevent permanent damage to the snap or the top fabric.



---

### Limited Warranty

We warrant our product to be free from defects in material and workmanship, for the terms specified below, provided there has been normal use and proper maintenance. This warranty applies to the original purchaser only. All remedies under this warranty are limited to the repair or replacement of any item or items found by the factory to be defective within the time period specified.


If you have a warranty claim, first you must call our factory at the number below for instructions. You must retain proof of purchase and submit a copy with any items returned for warranty work. Upon completion of warranty work, if any, we will return the repaired or replaced item or items to you freight prepaid. Damage to our products caused by accidents, fire, vandalism, negligence, misinstallation, misuse, Acts of God, or by defective parts not manufactured by us, is not covered under this warranty.

THE WARRANTY TIME PERIOD IS AS FOLLOWS: ALL "SOFT GOODS" MANUFACTURED BY OUR COMPANY (USING PRIMARILY VINYL, PLASTICS, AND/OR FOAM): ONE YEAR FROM DATE OF PURCHASE.

ANY IMPLIED WARRANTIES OF MERCHANTABILITY AND/OR FITNESS FOR A PARTICULAR PURPOSE CREATED HEREBY ARE LIMITED IN DURATION TO THE SAME DURATION AND SCOPE AS THE EXPRESS WRITTEN WARRANTY. OUR COMPANY SHALL NOT BE LIABLE FOR ANY INCIDENTAL OR CONSEQUENTIAL DAMAGE.

Some states do not allow limitations on how long an implied warranty lasts, or the exclusion or limitation of incidental or consequential damages, so the above limitations or exclusions may not apply to you.

This warranty gives you specific legal rights, and you may also have other rights which vary from state to state.

 For further information or request for warranty work, please contact:  
Bestop Inc. Customer Service  
(800) 845-3567  
(303) 465-1755