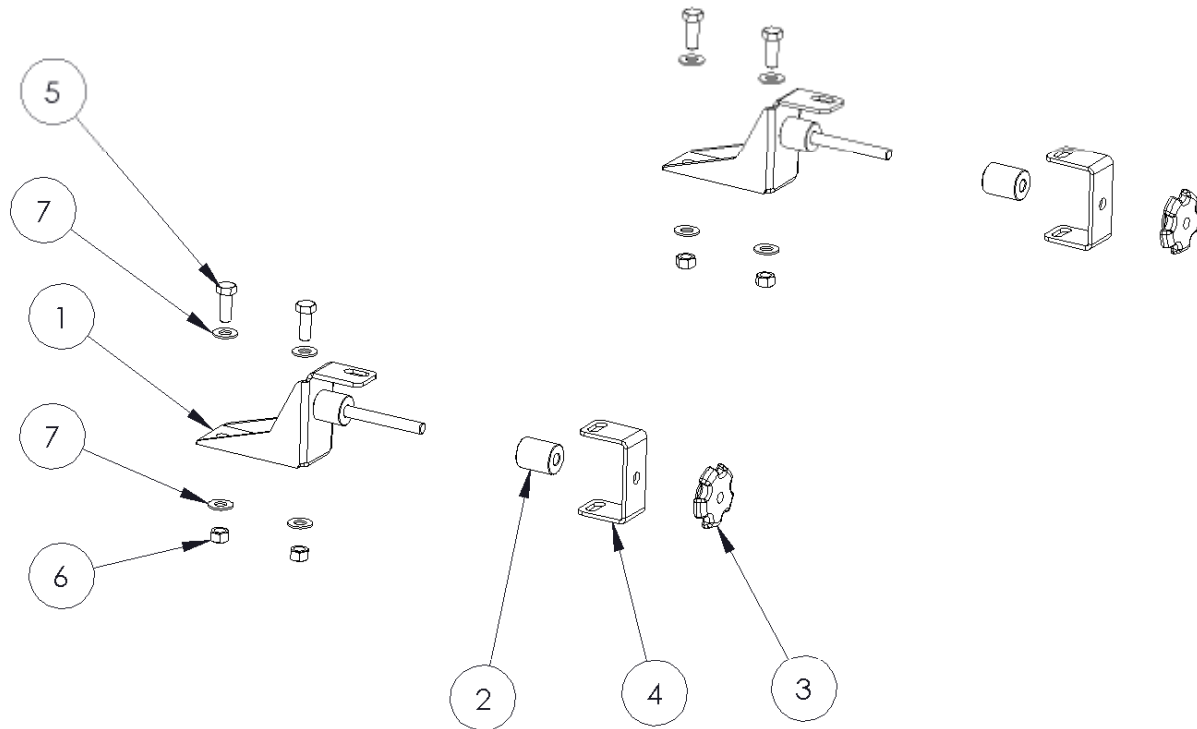


130872
07-10 JEEP JK HI LIFT JACK MOUNT

**OFF CAMBER
FABRICATIONS**

by: **MBRP** INC.



1. HI LIFT JACK MOUNTING BRACKET ASSEMBLY [2PCS]
2. RUBBER SLEEVE [2PCS]
3. HAND KNOB [2PCS]
4. RETAINER [2PCS]
5. 3/8"x1" BOLT [4PCS]
6. 3/8" NYLOC NUT [4PCS]
7. 3/8" FLAT WASHER [8PCS]

PLEASE READ BEFORE STARTING INSTALLATION

While MBRP Inc. has made every effort to ensure that all components of this kit are of superior quality and properly packaged, it is the installer's responsibility to ensure the following before starting:

- that ALL components shown above are present.
- that ALL mating components fit together.
- that there are no damaged components.
- that the kit you have purchased is appropriate for your year and model of vehicle.
- that the kit will not interfere with any modifications previously installed or planned.
- that you have read and understand these instructions.

If you have any questions or are uncertain about any aspect of the installation of this kit on your vehicle please contact your dealer before commencing installation.

OFF CAMBER FABRICATIONS

by: **MBRP** INC.

2007-2010 Jeep JK Hi Lift Jack Mount



Figure 1



Figure 2



Figure 3

NOTE:

This kit requires the installation of **Off Camber Fabrications** Roof Rack Kit # 130717 or # 130927 prior to installation of this **Hi Lift Jack Mount Kit # 130872**. If you have installed or are installing the Cargo Basket Kit # 130822, please refer to step 5.

1. Mount the **Hi Lift Jack Mounting Bracket Assemblies** onto the Rear Crossmember of your Roof Rack and secure with the supplied **3/8" Bolts, 3/8" Flat Washers, and 3/8" Nyloc Nuts**. Be sure the studs face the rear of the Jeep.

Refer to Figure 1.

2. Slide the **Rubber Sleeves** over the studs on the **Hi Lift Jack Mounting Bracket Assemblies**.

Refer to Figure 2.

3. Install your Hi Lift Jack onto the Jeep by sliding the studs on the **Hi Lift Jack Mounting Bracket Assemblies** through the holes on the beam of the Hi Lift Jack. Check for clearance between the hardtop and the Lifting Pad of the Hi Lift Jack. It may be necessary to mount the Hi Lift Jack with the Lifting Pad facing up.

Refer to Figure 3.

**OFF CAMBER
FABRICATIONS**
by: **MBRP** Inc.



Figure 4

4. Install the **Retainers** over the studs on the **Hi Lift Jack Mounting Bracket Assemblies** followed by the supplied **Hand Knobs** and tighten.
Refer to Figure 4.

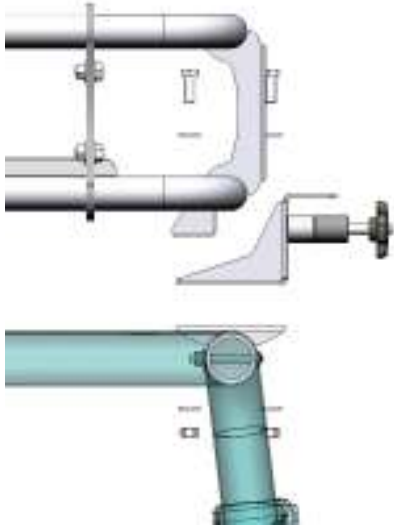


Figure 5

5. Installation of this kit with the Cargo **Basket Kit # 130822** requires installation as shown.
Refer to Figure 5.



Congratulations! You are finished. We are sure that you will enjoy this
Off Camber Fabrications product by **MBRP Inc.**