

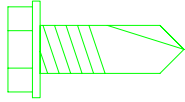


INSTALLATION INSTRUCTIONS

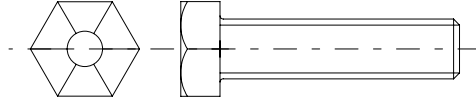
TJ Console Part #044

Please read and fill out the enclosed warranty registration card to activate your warranty.

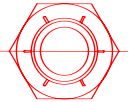
Shipping Package



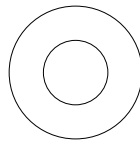
(2) 1/4 x 3/4" Self Tapping Screws



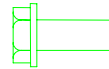
(2) 5/16-18 X 1 1/4" Bolts



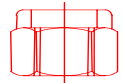
(2) 5/16 Locknuts



(4) 5/16" Washers



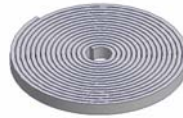
(4) 10-32x1/2 Screws



(2) 10-32 Nylock nuts



(2) #10 Washers



Neoprene seal

Tools Needed

- (1) 1/2" wrench or ratchet, socket, and extension
- (1) 1/2" wrench
- (1) 3/8" wrench or ratchet, socket, and extension
- (1) 5/16" Wrench
- 3/8" drill bit
- Electric drill
- Silicone sealant (not necessary but recommended)

Installation

1. Please read all instructions before starting installation.
2. It is recommended to use silicone sealant on any mounting points to vehicle body to prevent future rust problems.
3. Removing one or both of the seats will make installation easier.
4. Apply the rubber seal to the underside of the lid. (SEE FIGURE 1)
5. If you do not have a factory console, remove the rubber emergency brake cover. Save these screw because you may reuse some of them.
6. Attach the drink holder to the rear of the console using (2) 10-32 x 1/2" bolts, (2) 10-32 nylock nuts and (2) #10 washers.

Warning! Make sure that there is nothing under the vehicle that will be damaged by the drill bit when drilling.

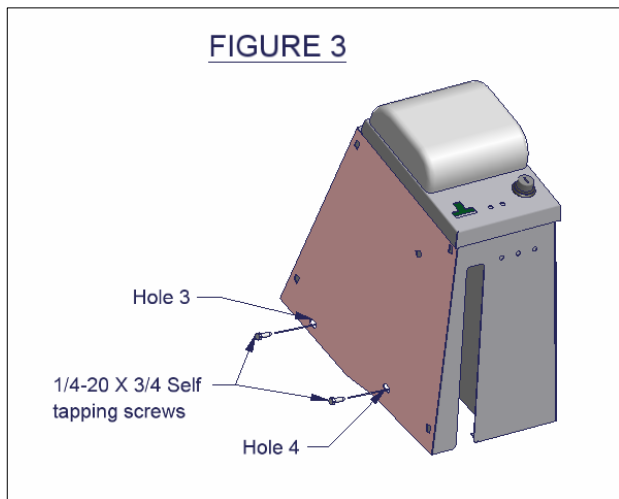
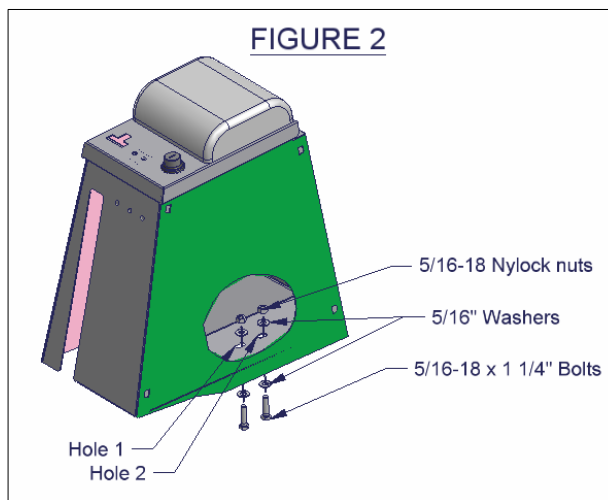
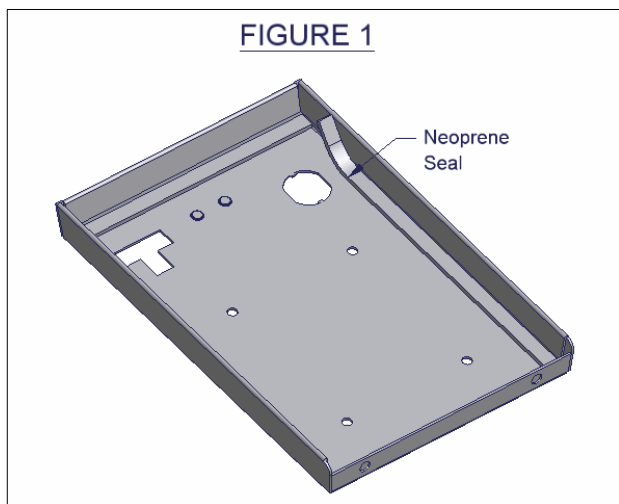
7. Drill out the two original mounting holes (HOLES 1 AND 2 IN FIGURE 2), located on the floor of the vehicle, to 3/8" diameter.
8. Install the Tuffy console by guiding the console over the emergency brake, Be careful not to tear the seats.
9. Insert the (2) 1/4-20 x 3/4" self tapping screws in the holes (HOLES 3 AND 4 IN FIGURE 3) on the passengers side of the console.

10. Bolt the console down using the (2) 5/16" bolts, (2) 5/16" nuts, and (4) 5/16" washers (IN HOLES 1 AND 2 IN FIGURE 2); push at least one bolt up from the bottom for added security.
11. Make sure emergency brake is operating properly. Adjustment by a qualified mechanic may be necessary.
12. Check lock operation. The rubber seal will need to be compressed initially and will wear-in with time.
13. Lock it up!

ATTENTION:

FREQUENT LUBRICATION IS NECESSARY ON THE LOCKING SYSTEM

The pushbutton lock contains an "O" ring seal to protect the interior from dust and water. If this mechanism is not lubricated regularly it will become difficult to operate and it may not return to its home position preventing the key from operating the lock. If this happens simply pull up on the pushbutton to manually bring it back to its home position. Lubricate the pushbutton with a light lubricant such as silicone spray. The pushbutton may have to be periodically disassembled and cleaned.



Call (970) 564-1762 for Technical Support