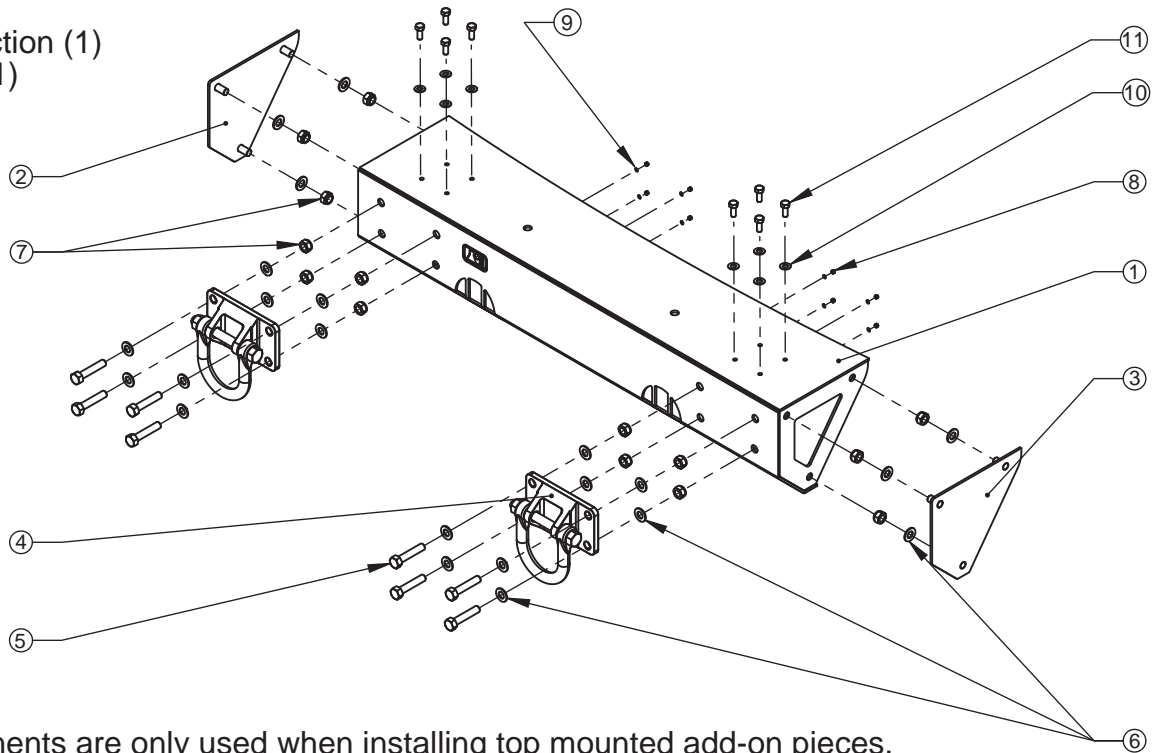


Jeep® JK Wrangler Modular HD Front Bumper - No Winch

Contents:

1. Bumper Center Section (1)
2. Right Stubby End (1)
3. Left Stubby End (1)
4. D-Ring (2)
5. M12 x 60 Bolt (8)
6. M12 Washer (22)
7. M12 Lock Nut (14)
8. M3 Lock Nut (8)
9. M3 Washer (8)
10. M8 Washer (8) *
11. M8 x 20 Bolt (8) *



* Note - These components are only used when installing top mounted add-on pieces.

1. Disconnect fog lights by twisting the plug in the rear of them. Remove 4 nuts per frame horn that hold the original front bumper to the vehicle. Remove original bumper.
2. Install the original fog lights into the Center Section from the back (Figure 2a). Use the (8) M3 lock nuts and M3 washers to secure them (Figure 2b).

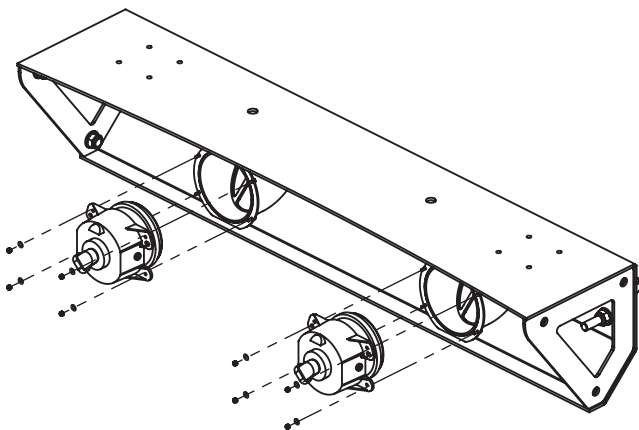


Figure 2a

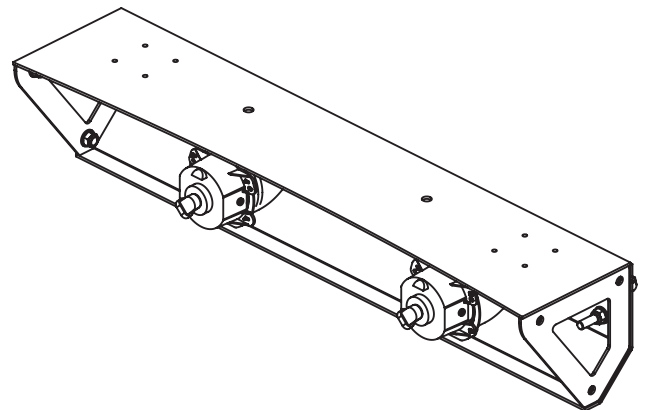


Figure 2b

3. Install Ends using (3) 12mm washers and (3) 12mm lock nuts per side (Figure 3a). Once all nuts have been started, tighten them (Figure 3b).
Note - if installing optional ends, substitute them for the Stubby Ends shown.

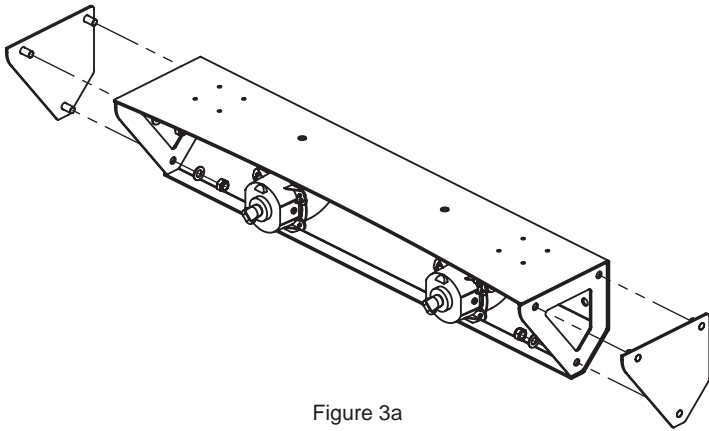


Figure 3a

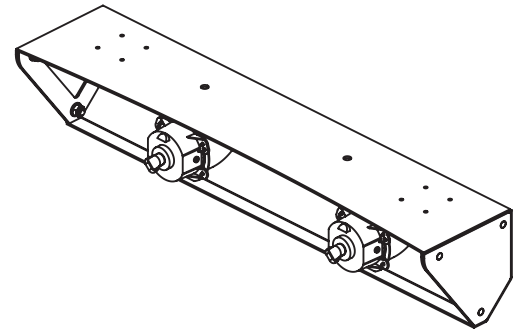
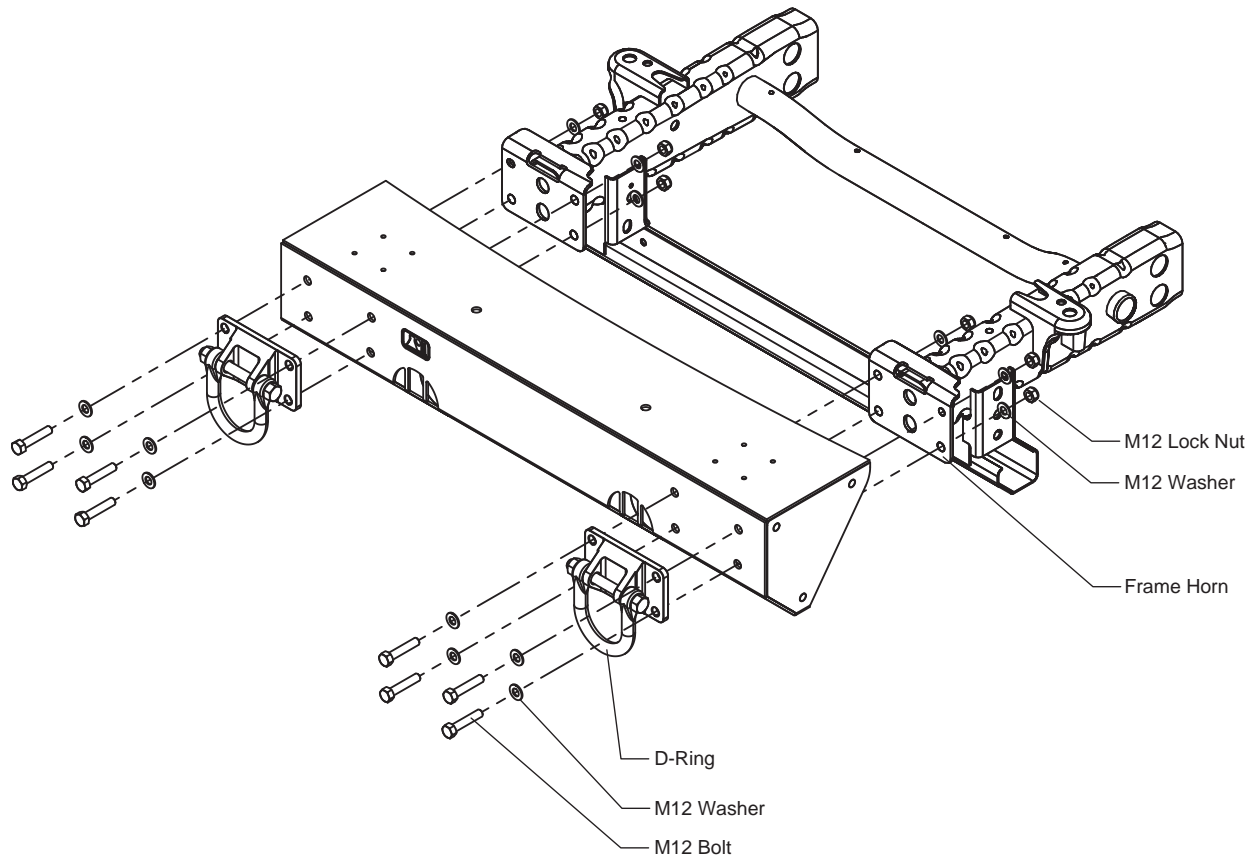
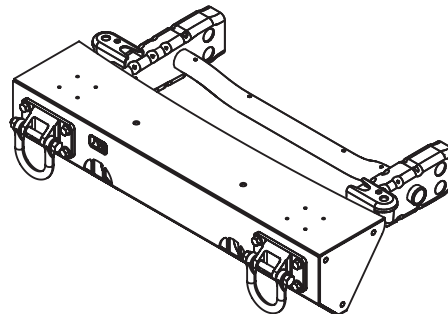


Figure 3b

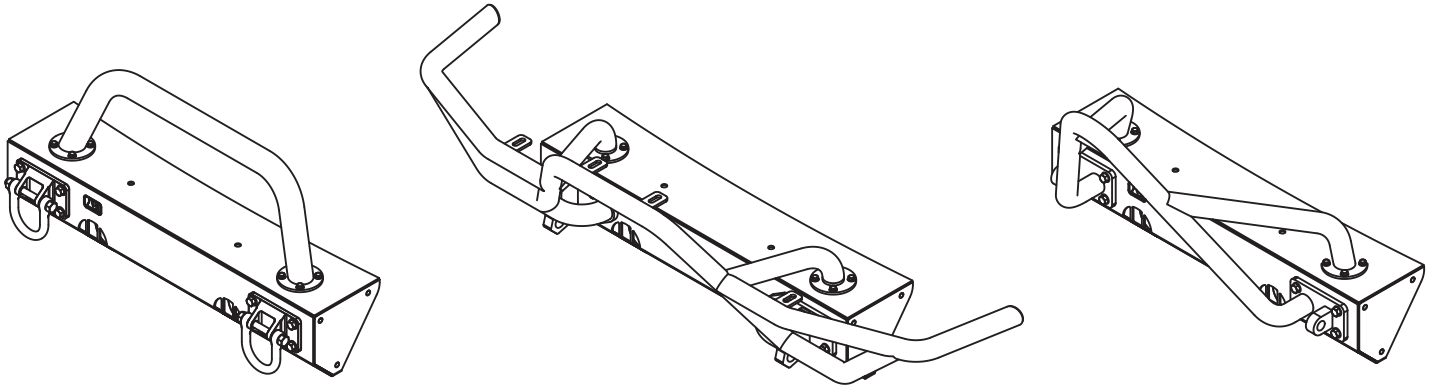
4. Place Center Section of Bumper onto the frame rails and then install the 12mm bolts (8), 12mm washers (8), D-Rings (2), more 12mm washers (8), and 12mm Lock Nuts. Don't tighten any of the fasteners yet. When installing D-Rings, note that the holes that are further apart should be on top. Note - If installing Stinger (11540.13) or RRC Hoop (11540.18) D-Rings will not be used. See instructions for those products at this point.



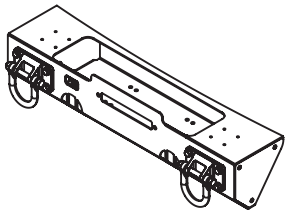
5. Tighten (8) bolts that were installed in Step 4.



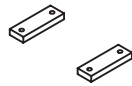
3. Installation of the Bumper is now complete! You may now install any hoops, auxiliary lighting, etc. Note: When used for vehicle recovery, only the D-Rings are to be used. Hoops are not to be used for towing or vehicle recovery.



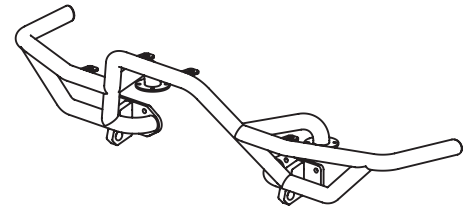
Congratulations on the purchase and installation of a quality Rugged Ridge product! Ask your retailer about the following additional accessories to the JK Modular HD Bumper:



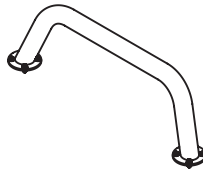
11540.10 - Winch Center Section



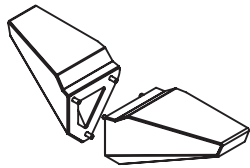
11540.15 - Optional Spacers for use with Warn® Powerplant Winch



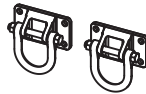
11540.17 - Optional RRC Hoop



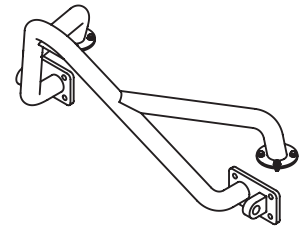
11540.14 - Optional Hoop - Black
11540.16 - Optional Hoop - Stainless



11540.12 - Optional Bumper Ends



11540.17 - Optional Stainless D-Rings



11540.13 - Optional Stinger

LIMITED 90 DAY WARRANTY
Applies to Rugged Ridge by Omix-Ada Inc. Products

Rugged Ridge Off Road (the Company) warrants to the original purchaser of this product that should the product or any part thereof, under normal use and conditions, be proven defective in material or workmanship within 90 DAYS from the date of original purchase, such defect(s) will be repaired or replaced or credited at the Company's sole option.

To obtain repair or replacement within the terms of this Warranty, the product is to be delivered with proof of warranty coverage (e.g. Dated bill of sale), specification of defect(s) to the place of purchase or, with prior approval from the Company (Return Authorization Number is required), freight pre-paid to the Company address listed below.

This warranty does not apply to any product or part thereof which, in the opinion of the Company, has suffered or been damaged through alteration, improper installation, mishandling, misuse, neglect, accident or by acts of nature. THE EXTENT OF THE COMPANY'S LIABILITY UNDER THIS WARRANTY IS LIMITED TO THE REPAIR OR REPLACEMENT PROVIDED ABOVE AND, IN NO EVENT, SHALL THE COMPANY'S LIABILITY EXCEED THE PURCHASE PRICE PAID BY PURCHASER FOR THE PRODUCT.

This Warranty is in lieu of all express warranties or liabilities. ANY IMPLIED WARRANTIES, INCLUDING ANY IMPLIED WARRANTY OF MERCHANTABILITY, SHALL BE LIMITED TO THE DURATION OF THIS WRITTEN WARRANTY. ANY ACTION FOR BREACH OF ANY WARRANTY HEREUNDER INCLUDING ANY IMPLIED WARRANTY OF MERCHANTABILITY MUST BE BROUGHT WITHIN THE PERIOD OF 90 DAYS FROM DATE OF ORIGINAL PURCHASE.

IN NO CASE SHALL THE COMPANY BE LIABLE FOR ANY CONSEQUENTIAL OR INCIDENTAL DAMAGES FOR BREACH OF THIS OR ANY OTHER WARRANTY, EXPRESS OR IMPLIED, WHATSOEVER. No person or representative is authorized to assume for the Company any liability other than expressed herein in connection with the sale of this product.

Some States do not allow limitations on how long an implied warranty lasts or the exclusion or limitation of incidental or consequential damage, so the above limitations may not apply to you. This warranty gives you specific legal rights and you may also have other rights, which vary from state to state.

Omix-Ada Inc.
460 Horizon Dr. Suite 400
Suwanee, Georgia 30024