

# WeatherTech®

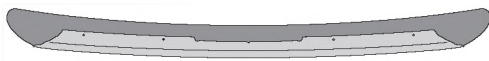
## Easy-On™ Stone & Bug Deflectors

### Important Safety Information



- CAUTION - Before driving, ensure that the hood shield is properly anchored to vehicle.
- Do not use automatic “brush-style” car washes.
- Do not use cleaning solvents of any kind.
- Periodically check all components for tightness.

### Contents **NOTE:** Actual product may vary from illustration.



Hood Shield



Alcohol Pad x2



Washer x4



Self Tapping  
Screw x4

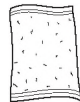


Bump On x4

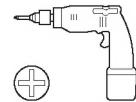
### Tools Required



Car Wash Supplies



Clean Towel

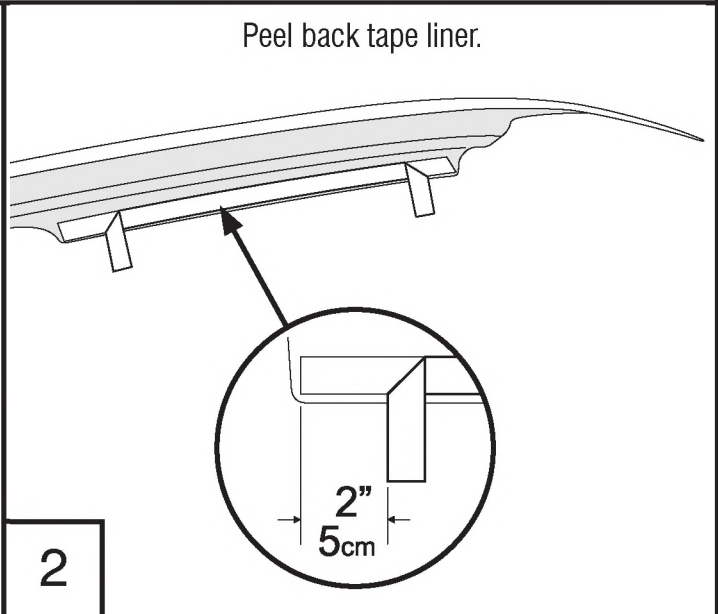
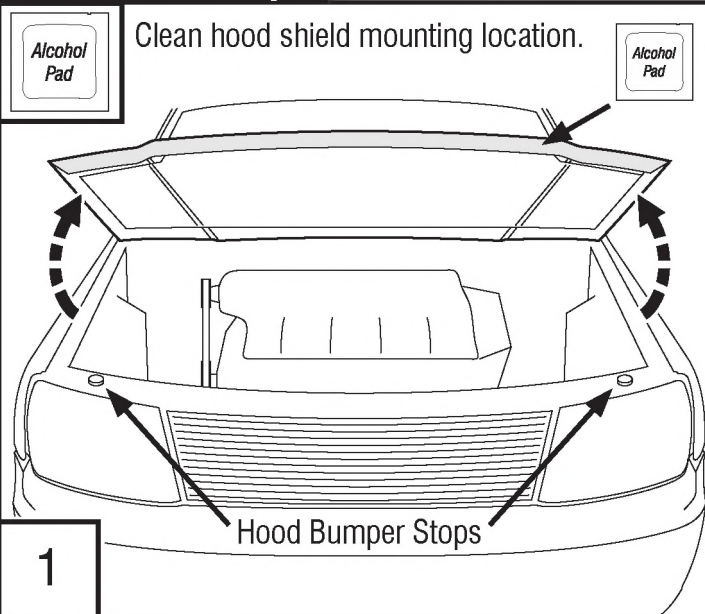


Appropriate hand tools

### Preparation Before Painting / Installation

- A trial fit is recommended to ensure proper positioning and fit.
- Check fit of parts before painting as we will not accept the return of modified or painted parts.
- Wash your vehicle’s hood to remove any debris and/or dirt.
- Dry the hood with a clean towel.

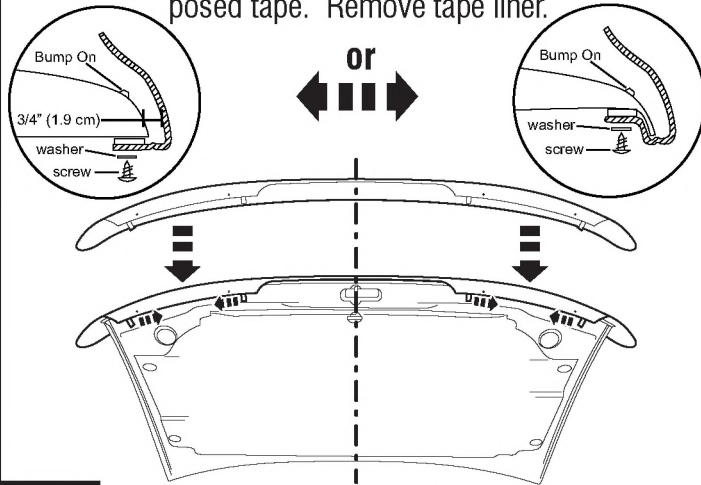
### Installation Steps **NOTE:** Actual application may vary slightly from illustrations.



## Installation Steps

**NOTE:** Actual application may vary slightly from drawings.

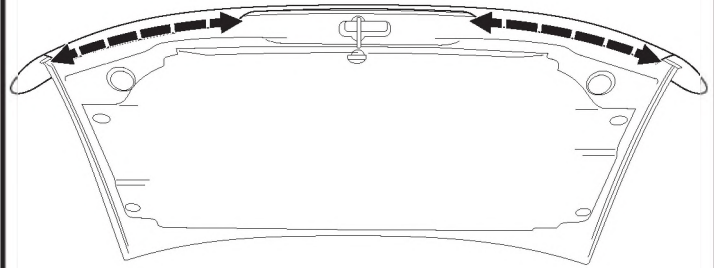
Center hood shield and attach with exposed tape. Remove tape liner.



3

**NOTE:** The hood shield should be offset approximately 3/4" (1.9 cm) from the front edge of hood.

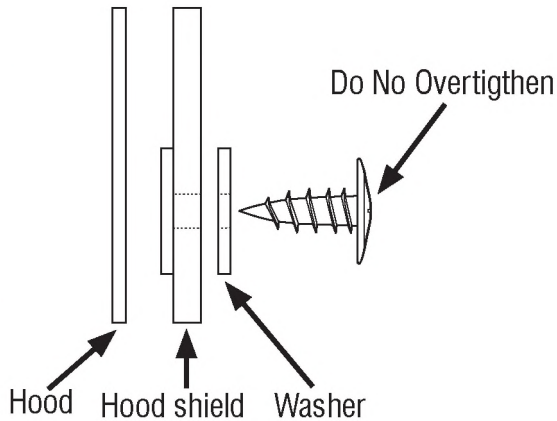
Apply pressure to tape flange.



**NOTE:** If applicable position hood shield over trim.  
 92-99 Ford Fullsize Van - under trim  
 91-96 Ford Escort - discard rubber trim  
 99-up F250/350 - discard rubber trim

4

## Optional Screw Attachment

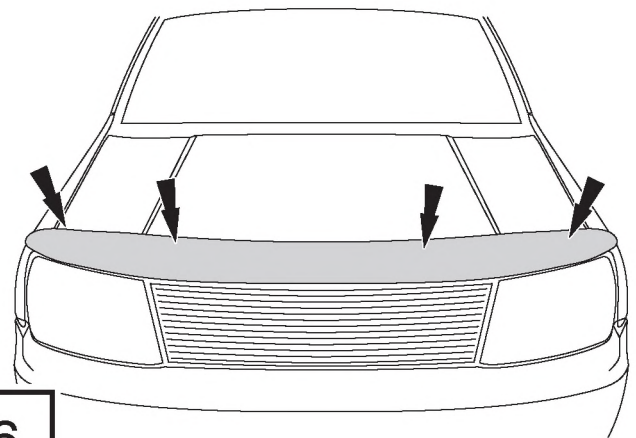


5

91-94 Chevrolet Cavalier uses no screws  
 96-up Dodge Caravan/Plymouth Voyager uses (2) screws only



Lower hood, adjust hood bumper stops if necessary. Apply bump-ons to hood surface.



6

## Care and Cleaning

- Wash only with mild soap & dry with a clean cloth.



1 MacNeil Ct.

Bolingbrook, IL 60515

Questions? Call customer service @ 630.769.1500

Monday - Friday, 9 a.m. to 5 p.m. Central Time

[www.WeatherTech.com](http://www.WeatherTech.com)