

Safari Stubby Front Fender Flares w/LED Installation Instructions

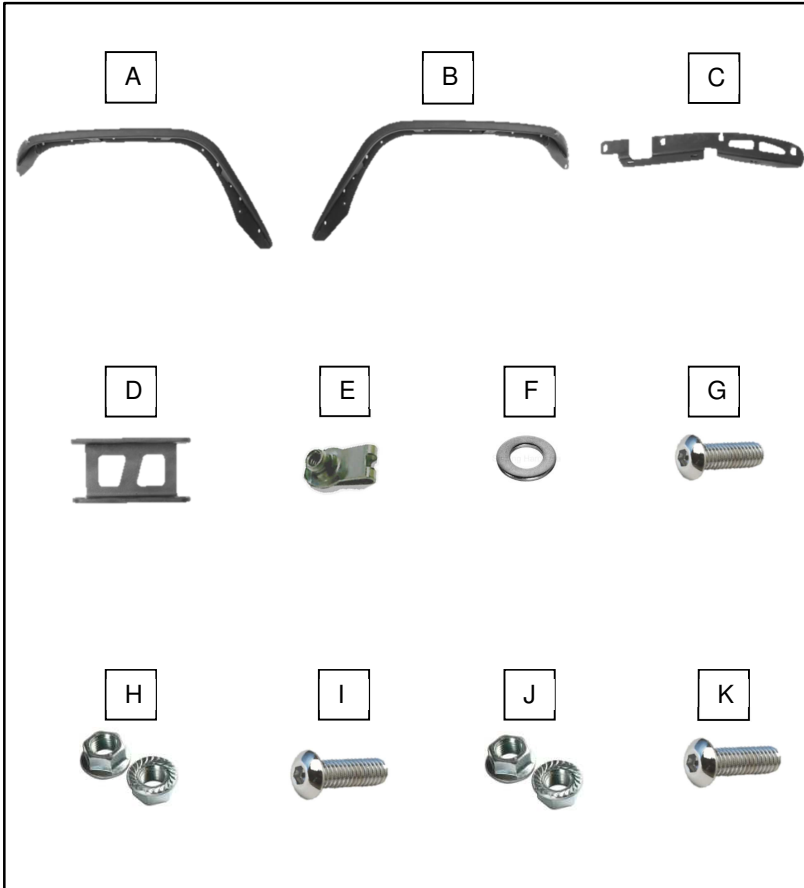
PART NUMBER J130918
FITS Jeep Wrangler JK
07-17

KEY TO COMPONENTS

- A. 1 ea. Driver fender flare
- B. 1 ea. Passenger fender flare
- C. 2 ea. Large reinforcement bracket
- D. 2 ea. Small reinforcement bracket
- E. 8 ea. Speed clip
- F. 30 ea. M8 Flat Washer
- G. 4 ea. M8x1.25x25mm Button Head Bolts
- H. 22 ea. M8x1.25 Flange nuts
- I. 8 ea. M6x1.0x25mm Button head bolt
- J. 8 ea. M6x1.0 Flange nuts
- K. 18 ea. M8x1.25x30mm Button head bolt

TOOLS NEEDED

- Ratchet
- 8mm socket
- 6mm socket
- 10mm socket
- 13mm socket
- 17mm wrench
- 5/32 allen wrench
- 7/32 allen wrench
- Clip removal tool



Product shown installed on Jeep JK.



Please take a few minutes to read and thoroughly familiarize yourself with the installation procedures outlined in this manual. Following the steps as outlined will save you time and help reduce mistakes. Once the instructions are reviewed, if you feel that you are not capable of safely installing the parts seek the help of a qualified installation expert to help you complete the job. The manufacture is in no way responsible for any personal injury or vehicle damage that may occur during the installation.

ELECTRICAL INSTALLATION



These flares comes complete with LED lights which need to be connected to a power source. Failure to properly make these connections could result in damage to the LED lights and/or your vehicle and may result in personal injury. If you are not qualified to make the proper connections, we highly recommend that you contact an installation expert to complete the connections.

California Proposition 65 Warning!

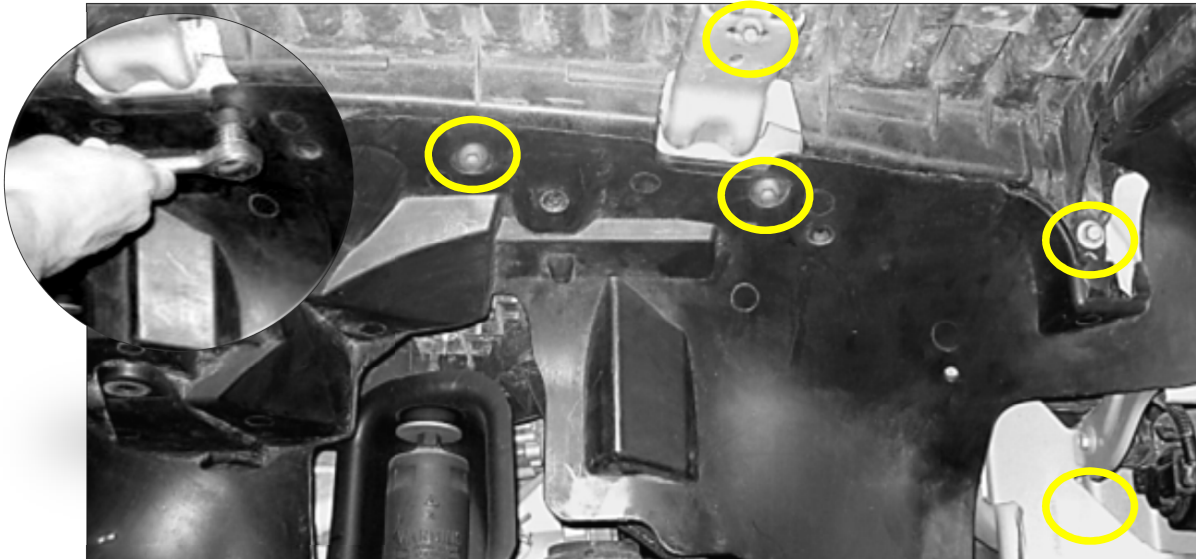
This product may contain one or more chemical known to the State of California to cause cancer and birth defects or other reproductive harm.

For more information go to www.P65Warnings.ca.gov.

FRONT FRACTORY FLARE REMOVAL



Step 1.
Remove plastic fastener with slot head screw driver as shown above.



Step 2.
Using a 10 mm socket remove the 5 bolts indicated as shown above. Using Christmas tree clip removal tool (not supplied) or similar tool remove any remaining factory mounting clips. (NOTE: set aside factory hardware and flares if you intent to reinstall the factory wheel well liner. See last section for further details)

FRONT FACTORY FLARE REMOVAL continued



Step 3.
Disconnect turn signal harness by firmly pressing down on the Mate-n- lock plug.

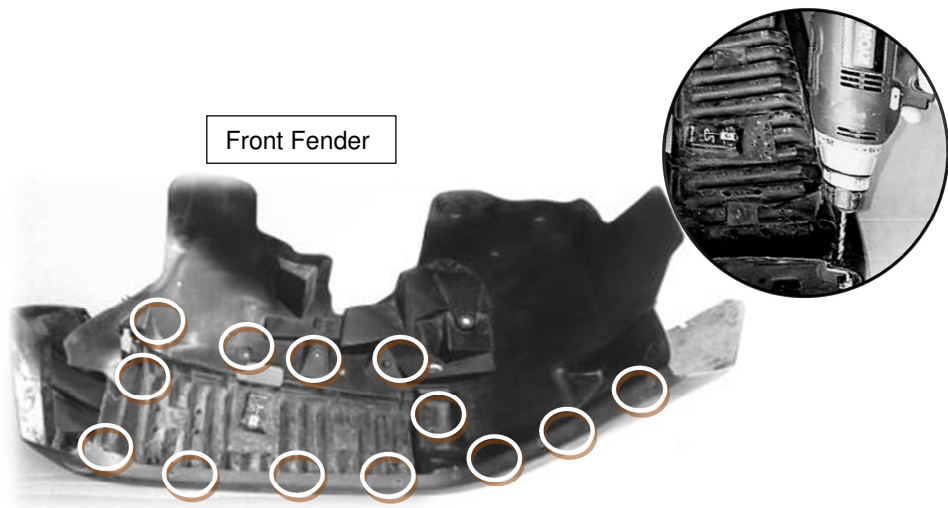


Step 4.
Take hold of the front part of the flare and firmly pull up to release the hidden factory mounting clips as shown above. Move to the center of the flare then rear of the flare pulling firmly up and back. You will hear a clicking sound as the clips are released as shown above. Repeat steps 1-4 above for other side.



OPTIONAL: FRONT FACTORY WHEEL-WELL LINER

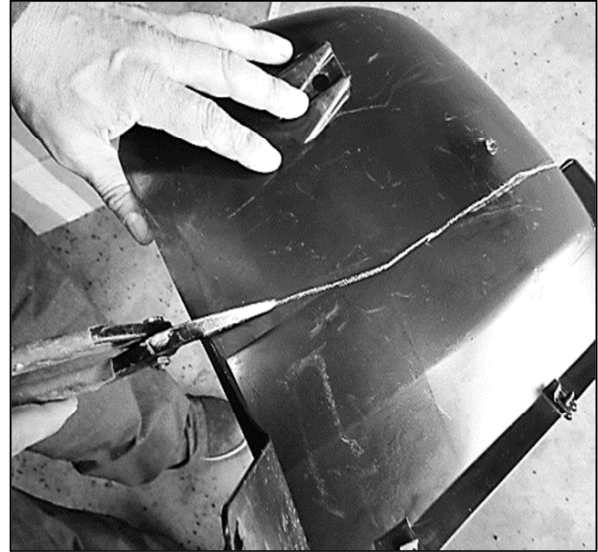
NOTE: *If you wish to re-install the wheel well liner follow the steps below otherwise skip this section.*



Front Fender

Step 1
Using a 5/16" drill bit drill off the 7 plastic push- rivets along the front edge of the fender. Remove any plastic clips using a clip removal tool or pliers. Separate the inner-liner from the flare and plastic bracket. Keep the liner. Discard the flare and plastic bracket. Repeat for other flares

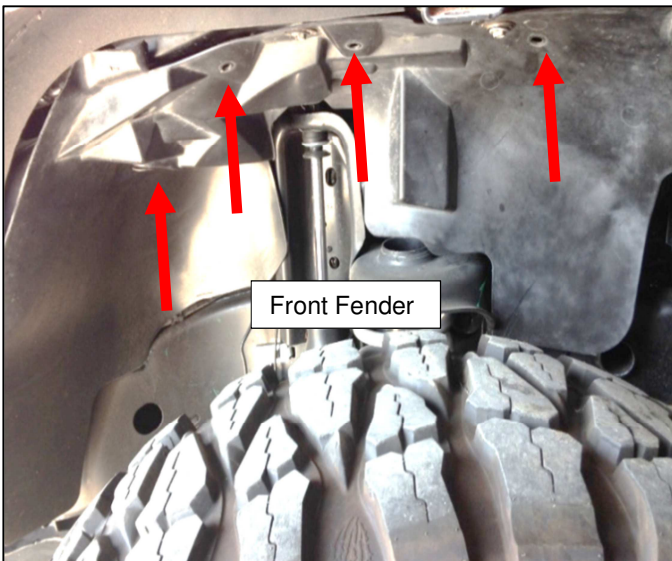
OPTIONAL: FRONT FACTORY WHEEL-WELL LINER continued



Step 2

Place the liner back in the Jeep Wheel well. Using the edge of the fender as a guide draw lines along the perimeter of the liner with a white china marker. With large plastic cutting shears or grinding wheel cut along the plastic following your guide lines. Set aside trimmed liner for use after flares have been installed as shown above.

INSTALLING REINFORCEMENT BRACKETS



Step 3

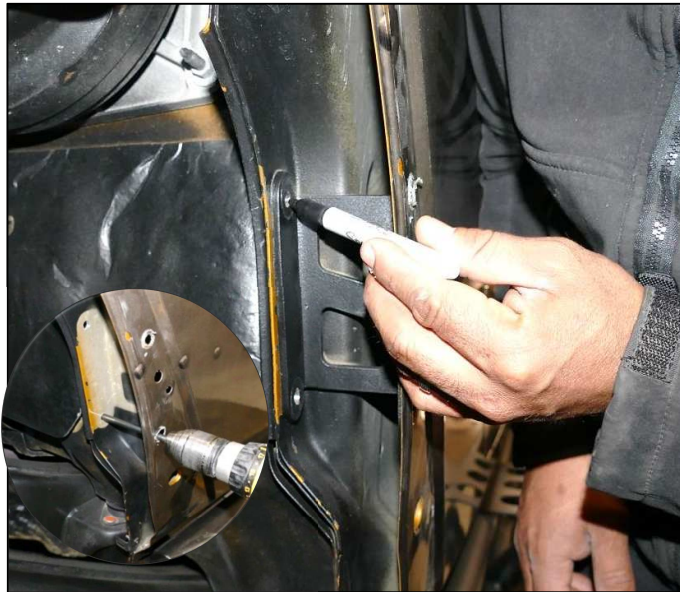
Place trimmed liner back in the Jeep wheel well. Line up the holes in the liner with the holes in the fender. Using factory hardware re-install the liner as shown above. Repeat process for remaining liner.



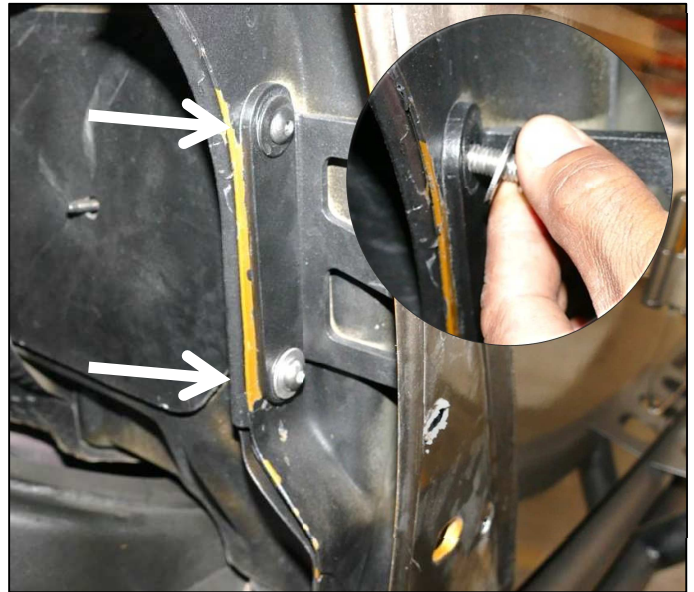
Step 1

Place supplied fender (A) onto vehicle. Line up the holes in the fender with the holes on the vehicle. Using a marker mark the two holes indicated above for drilling. Remove fender from vehicle. Using a 3/8 drill, drill in the previously marked area.

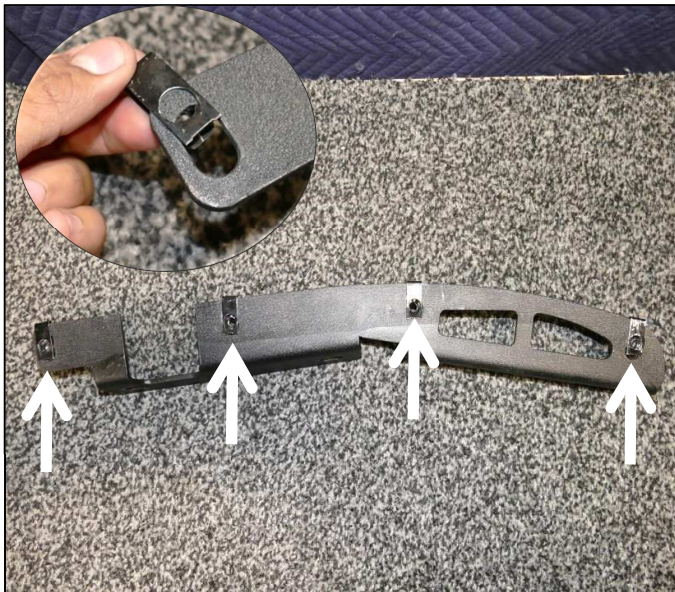
INSTALLING REINFORCEMENT BRACKETS continued



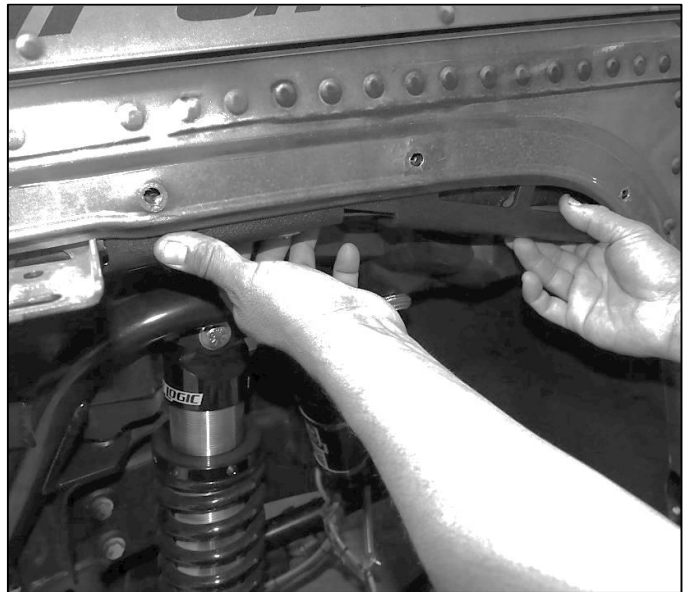
Step 2.
Place supplied small reinforcement bracket (D) onto vehicle as shown. Line up the holes in the reinforcement bracket with the drilled holes. Using the holes in the bracket mark the location for drilling. Remove reinforcement bracket. Using a 3/8 drill bit, drill in the previously made marked area.



Step 3.
Reinstall supplied small reinforcement bracket (D) onto vehicle. Line up the holes in the reinforcement bracket with the previously drilled holes. Place supplied M8x1.25x25mm button head bolt (G) with supplied M8 flat washer (F) through the hole in the reinforcement bracket and through the drilled hole. Start a supplied M8x1.25 flange nut (H) at the end of bolt. Tighten down using a 13mm wrench. Repeat step for remaining bolt.

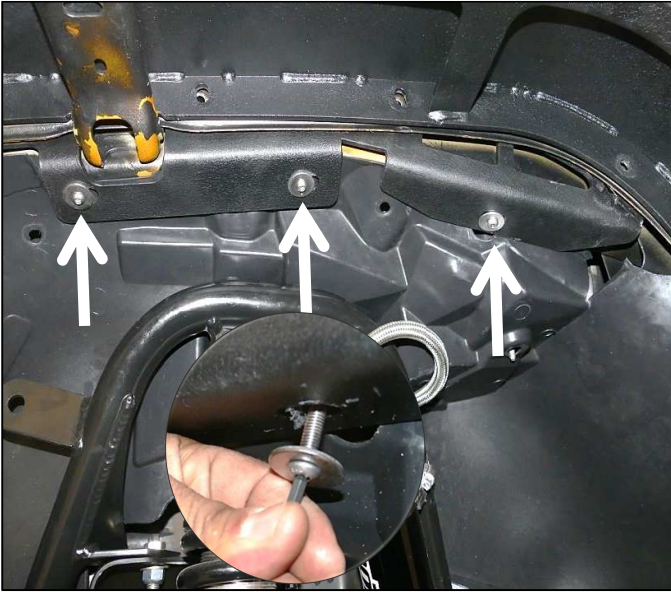


Step 4.
Working on work bench install 4 supplied speed clips (E) onto large reinforcement bracket (C) as shown.



Step 5.
Place supplied large reinforcement bracket (C) onto vehicle as shown. Line up the holes in the reinforcement bracket with the holes in the vehicle.

INSTALLING REINFORCEMENT BRACKETS continued

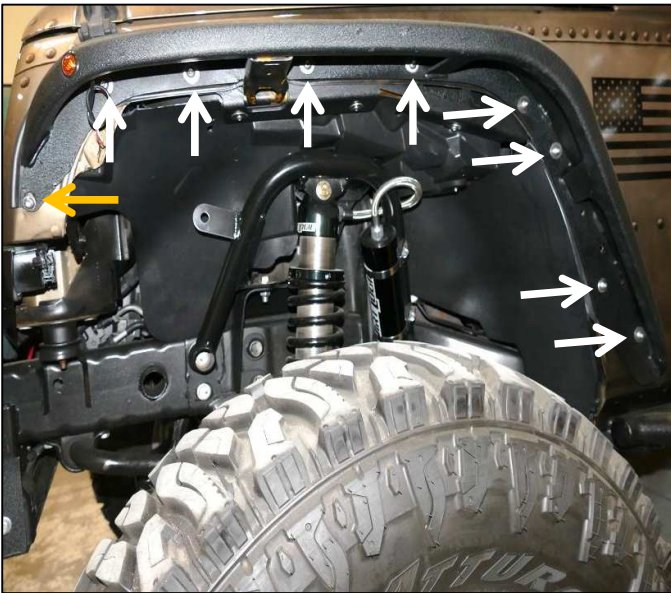


Step 6.
Place supplied M6x1.0x25mm button head bolt (I) with supplied flat washer (F) through the hole in the reinforcement bracket and on vehicle. Repeat step for remaining bolts. Once all bolts are in place tighten down using a 5/32 allen wrench

INSTALLING FENDER



Step 1.
Place supplied fender (A) onto vehicle. Line up the fender holes with the holes in the vehicle.



Step 2.
Place supplied M8x1.25x30mm button head bolt (I) with supplied flat washer (F) through the hole in the fender and through the hole in the vehicle fender. Repeat step for remaining bolts.
Do not tighten bolts at this time.



Step 3.
Locate the rubber lining provided. Starting at one end of the flare press it in between the fender and the frame of the vehicle. Continue pressing the trim into place until you reach the end of the flare then trim as needed. With rubber lining in place tighten down all bolts.

Proceed to make electrical connections for the LED lights. If you are not qualified to make the proper connections, we highly recommend that you contact an installation expert to complete the connections.

This completes the installation.

Page 6