

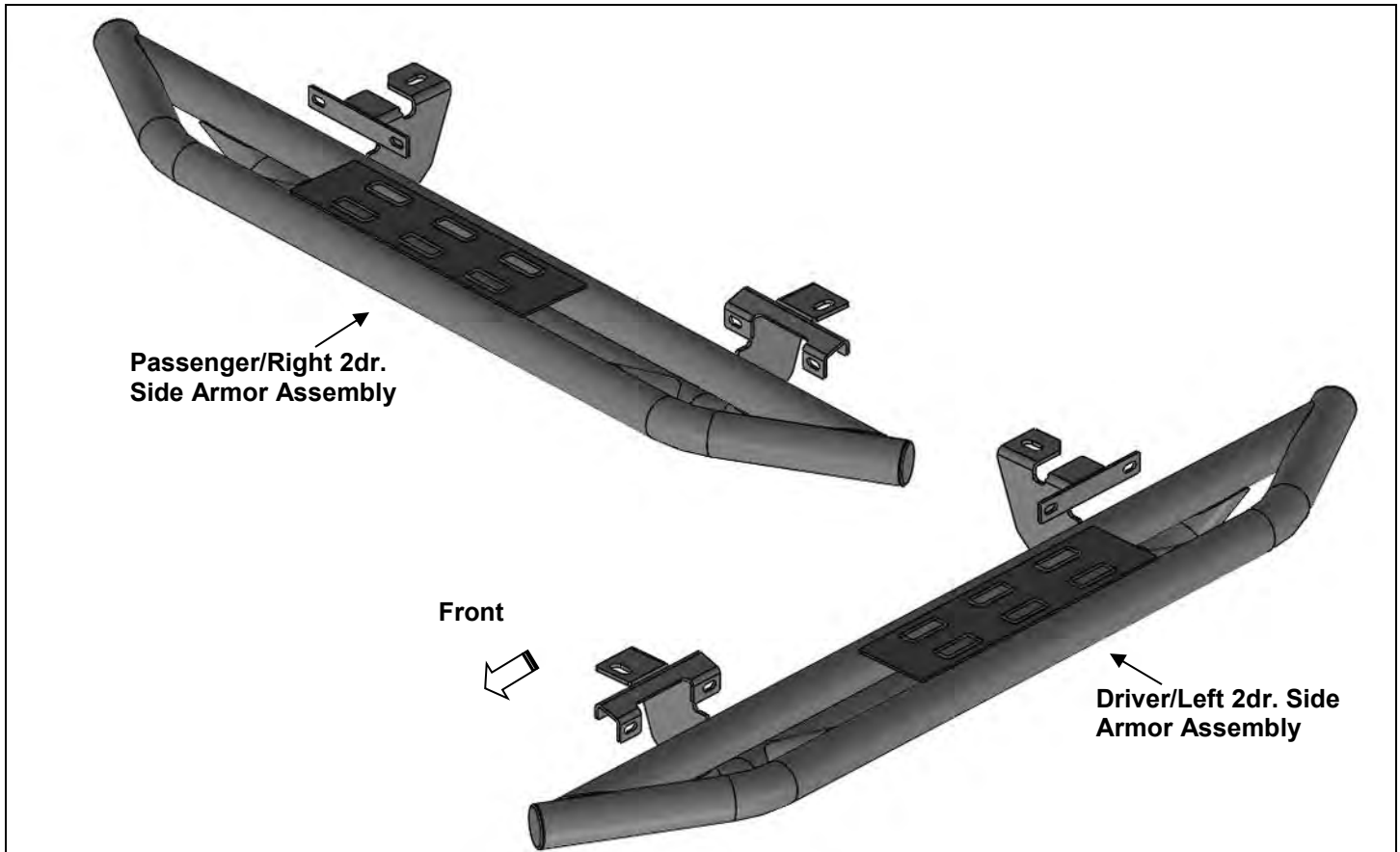
INSTALLATION INSTRUCTIONS

SIDE ARMOR

2018 JEEP WRANGLER JL 2 DOOR

PARTS LIST:

1	Driver/left Side Armor	4	8mm x 28mm x 3mm Flat Washers
1	Passenger/right Side Armor	8	6-1.0mm x 25mm Hex Bolts
4	8-1.25mm x 35mm Hex Bolts	16	6mm x 22mm x 2mm Flat Washers
4	8mm Lock Washers	8	6-1.0mm Nylon Lock Nuts



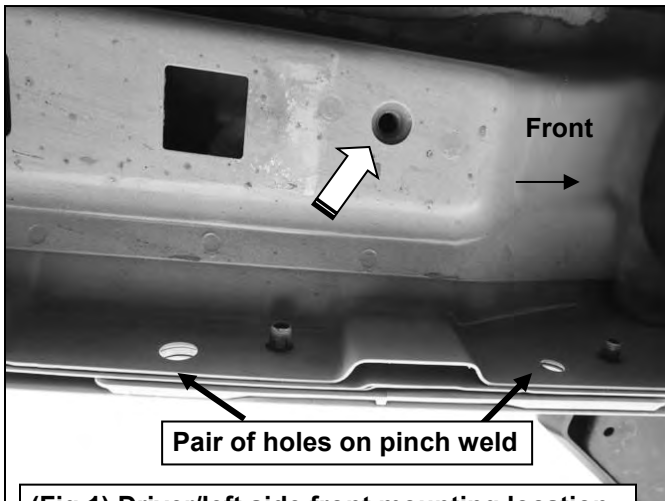
PROCEDURE:

REMOVE CONTENTS FROM BOX. VERIFY ALL PARTS ARE PRESENT. READ INSTRUCTIONS CAREFULLY. FACTORY INSTALLED OR AFTERMARKET "ROCK RAILS," SIDE STEPS OR RUNNING BOARDS MUST BE REMOVED. ASSISTANCE IS HIGHLY RECOMMENDED.

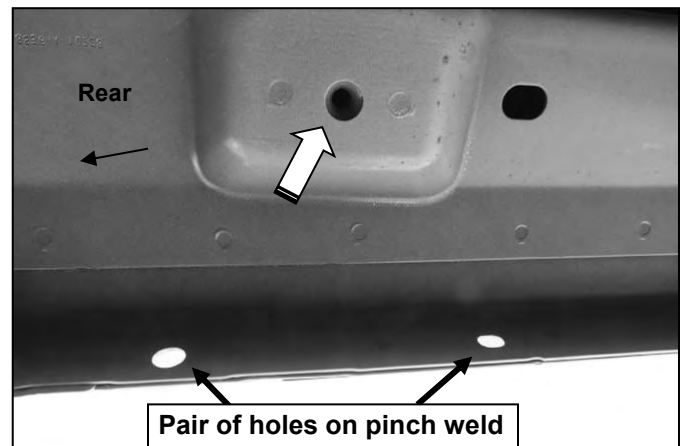
1. Start installation on the driver/left side of the vehicle. Locate the (3) pairs of factory mounting holes along the pinch weld, **(Figures 1 & 2)**. The mounting brackets on the Side Armor attach to the holes in the pinch weld and the small factory threaded hole directly above the pinch weld, **(Figures 1 & 2)**.
2. With assistance, hold the Driver/left Side Armor up in place against the back of the pinch weld. Line up the (2) welded brackets with the (4) factory holes in the pinch weld. Bolt the brackets to the **back** of the pinch weld with the included (4) 6mm x 25mm Hex Bolts, (8) 6mm Flat Washers and (4) 6mm Nylon Lock Nuts, **(Figures 3—6)**. Leave hardware loose at this time. **NOTE:** Insert Bolts from outside the pinch weld and out through the Bracket.
3. Bolt each top tab on the Side Armor to the vehicle with the included (1) 8mm x 35mm Hex Bolt, (1) 8mm Lock Washer and (1) 8mm Flat Washer, **(Figures 3—6)**. Repeat for all locations.
4. Level and adjust the Side Armor and tighten all hardware.
5. Repeat **Steps 1—4** for Passenger Side Armor installation.

6. Do periodic inspections to the installation to make sure that all hardware is secure and tight. **To protect your investment**, wax this product after installing. Regular waxing is recommended to add a protective layer over the finish. Do not use any type of polish or wax that may contain abrasives that could damage the finish. Mild soap may be used to clean the Side Armor.

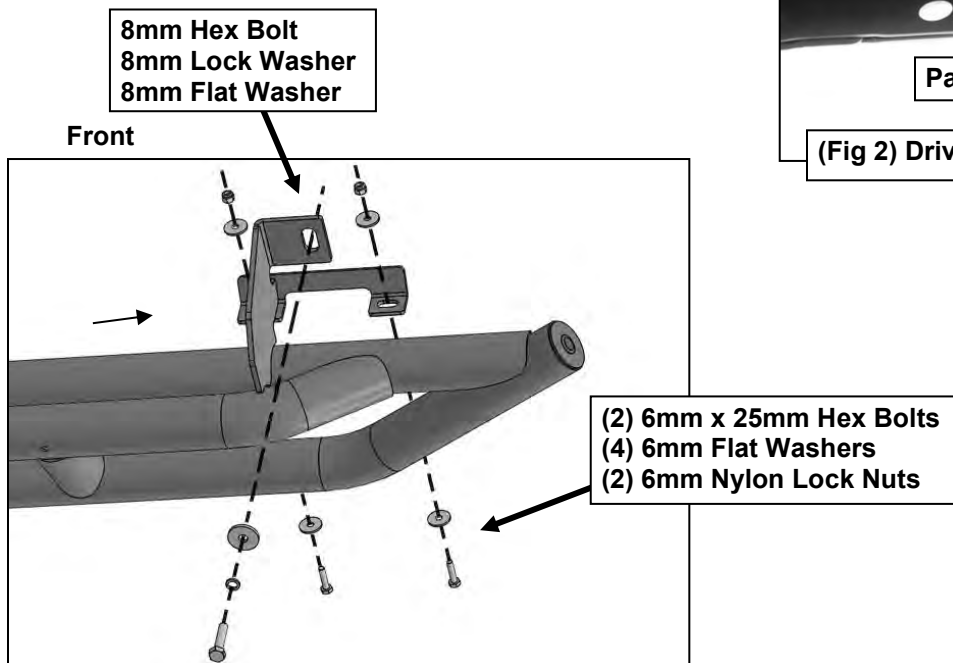
Driver/left side Installation Pictured



(Fig 1) Driver/left side front mounting location

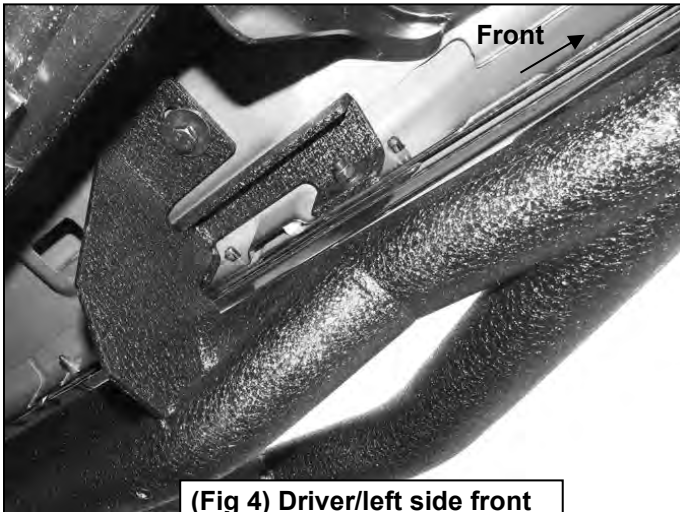


(Fig 2) Driver/left side rear mounting location

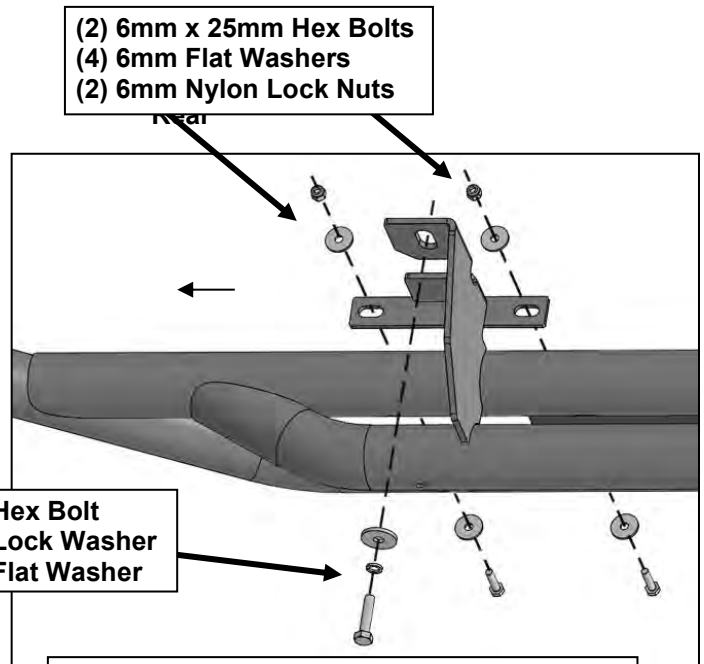


(Fig 3) Driver/left side front welded Bracket attached to pinch weld and inner floor panel

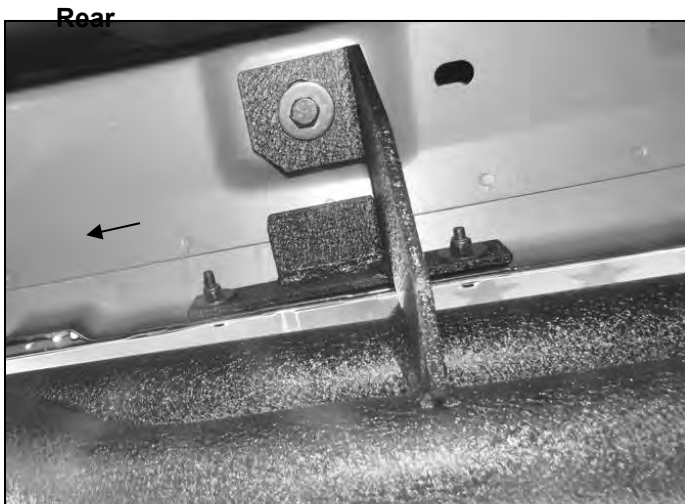
Driver/left side Installation Pictured



(Fig 4) Driver/left side front welded Bracket installed



(Fig 5) Driver/left side rear welded Bracket attached to pinch weld and inner floor panel



(Fig 6) Driver/left side rear welded Bracket installed