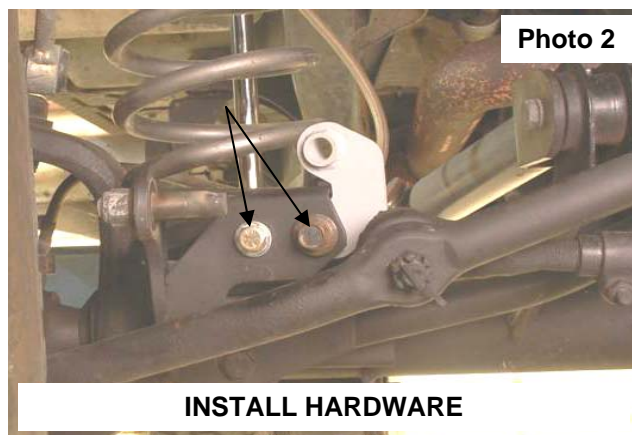
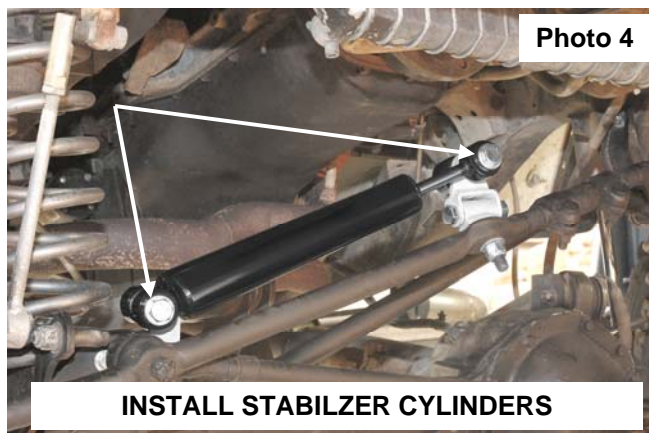
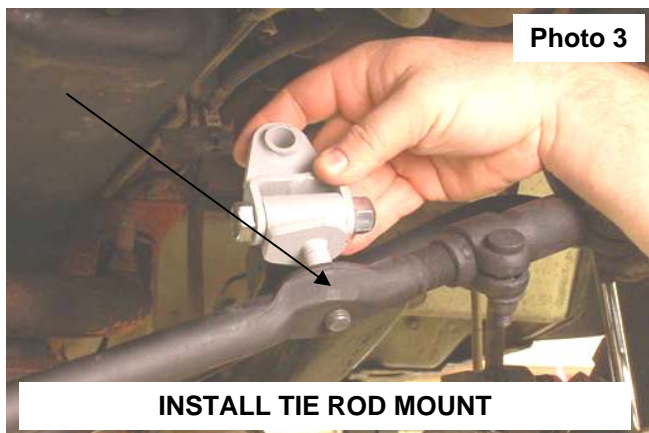


TJ / XJ DUAL STEERING STABILIZER

1. Remove the stock stabilizer if equipped from the axle and from the tie rod. Retain the factory hardware.
2. Install supplied template and factory bolt in the mount. Lightly tighten to hold in place.
3. Mark as shown in **Photo 1** and drill using a 3/8" drill bit.
4. Install the axle bracket in the stock location as shown with the factory hardware and the supplied 3/8" x 1 1/4" bolt and washer. **See Photo 2.** Tighten using a 9/16" socket / wrench.



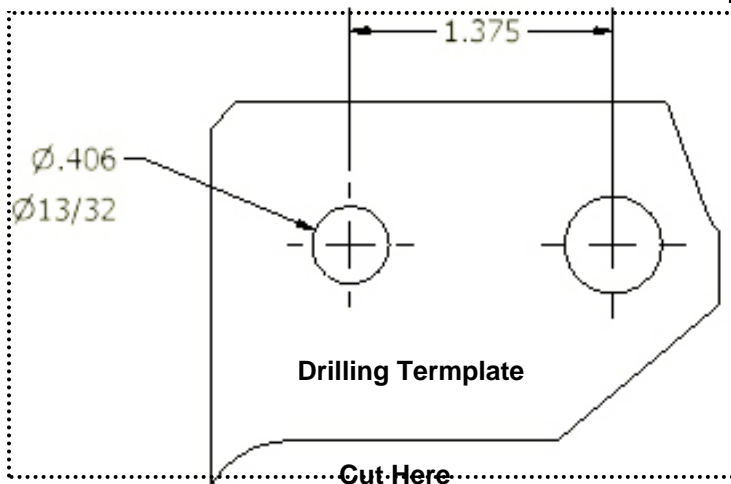
5. Assemble the two brackets with the supplied 1/2" x 2 3/4" bolts and nuts. Do not fully tighten at this time.
6. Install the brackets as shown in **Photo 3** to the stock location with the supplied 1/2" nut and washer. **See Photo 3.**
7. Install the stabilizer cylinders with the supplied 1/2" x 4 1/2" bolts, washers and lock nuts. Washers must be installed on 1/2" bolts on the stabilizer cylinders on both sides. **See Photo 4.**
8. Adjust the brackets as needed and tighten using a 3/4" socket / wrench.
9. Make sure all hardware is tightened before releasing installation.



Kit Contents

- 2-Stabilizer Cylinders
- 1-87308Bag-Poly Bag
- 1-Tie Rod Bracket
- 1-Axle Bracket

- 87308Bag:
- 1-1/2" x 2 3/4" Bolt
 - 3-1/2" Top Lock Nuts
 - 9-1/2" Flat Washers
 - 1-1/2" -20 Lock Nut
 - 2-1/2" x 4 1/2" Bolts
 - 1-3/8" x 1 1/4" Bolts
 - 1-3/8" Flat Washer



CAUTION: Any and all warranties including but not limited to any express warranties, implied warranty of merchantability, or implied warranty of fitness for a particular purpose shall not apply to any product altered in any way outside the premises of the manufacturer or to any product which is not installed in accordance with the written instructions provided by the manufacturer for installation of the product.