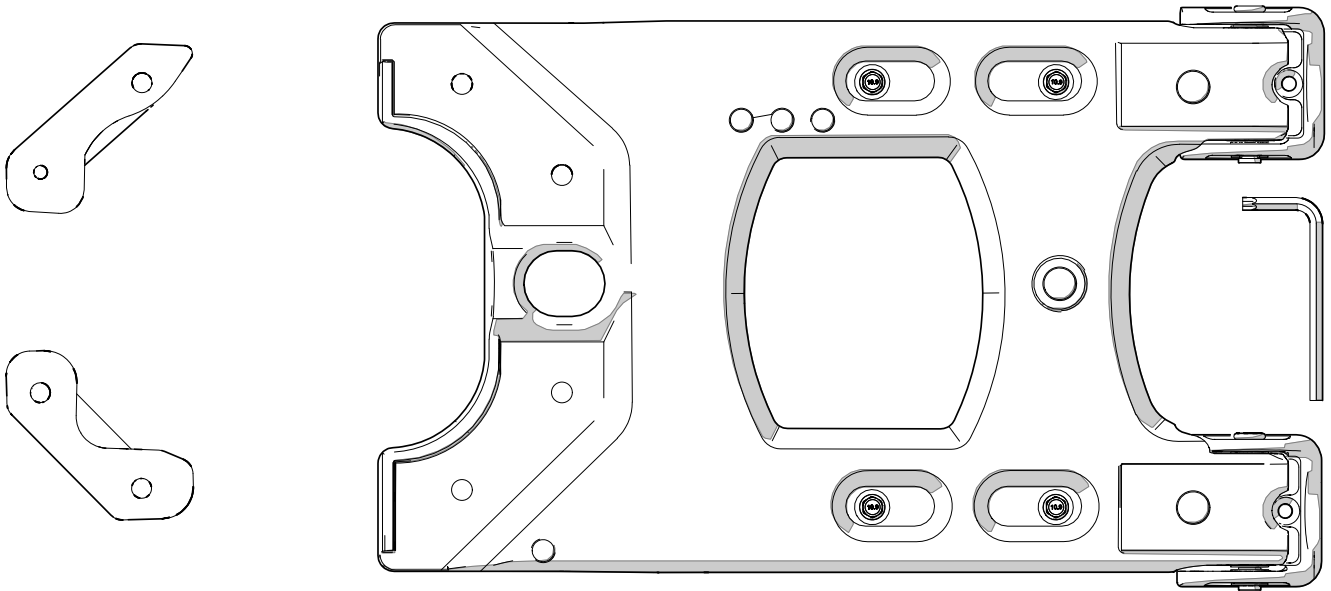




# JK HD HINGED CARRIER

www.TERAFLEX.com

#4838100



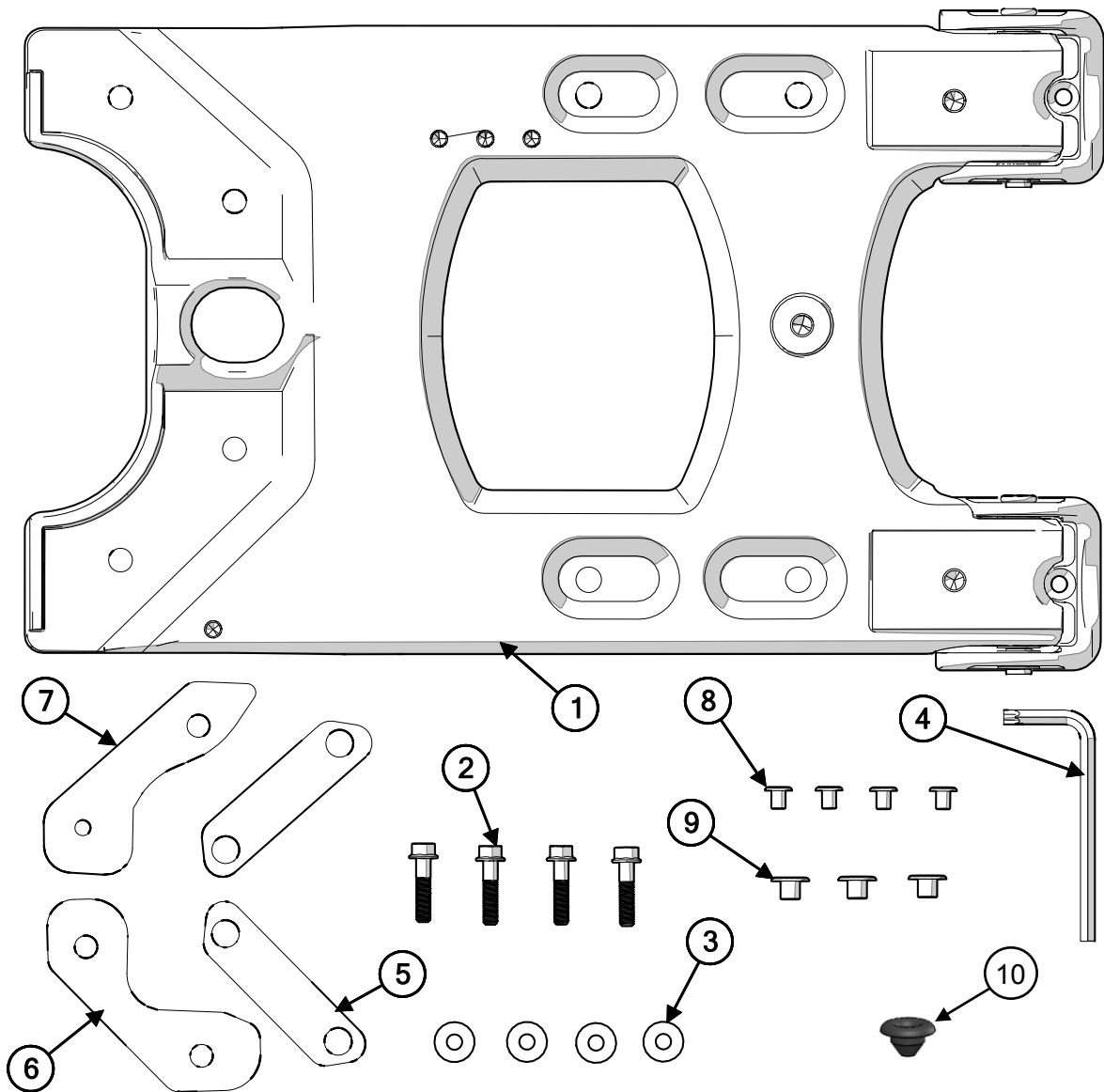
## Important Notes:

Prior to beginning this or any installation read these instructions to familiarize yourself with the required steps and evaluate if you are experienced and capable to personally perform these modifications. A factory service manual should be used in conjunction with these installation instructions.

Refer to the parts list to ensure that all necessary components and hardware has been included. If any parts are missing please contact your local Jeep dealership for assistance.

## Tools needed:

- Lug Wrench
- T50 Torx driver (included)
- T20 Torx driver
- 13 mm socket
- 12 mm socket
- Ratchet
- Blue thread locking compound
- Spacer that will fit between your Jeep's bumper and the bottom of the tail gate (soft material such as wood is recommended to avoid damaging the vehicle's paint)

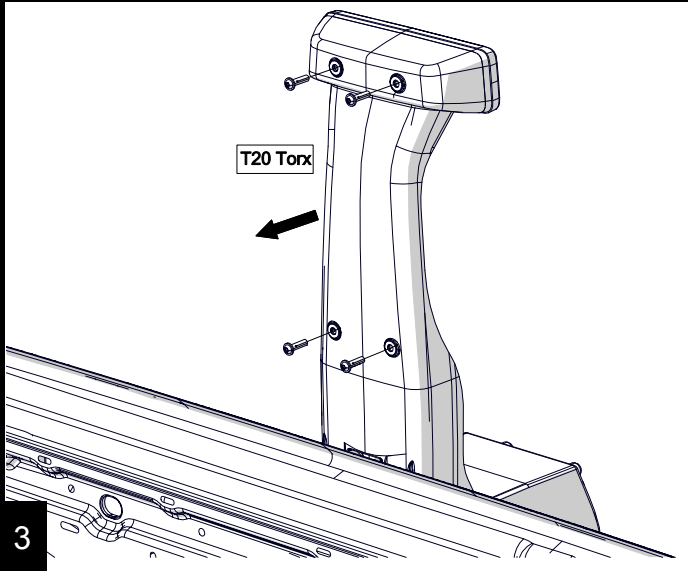


ID	Name	Part Number	Quantity
1	Aluminum Hinged Spare Tire Carrier	838075	1
2	Bolt M8 x 1.25 P x 35mm Long Flanged Hex Head	209	4
3	Washer 5/16" Flat	23	4
4	Torx T50 L-Key	387	1
5	Gasket for Tire Carrier Spacer Plates	610039	2
6	Spare Tire Carrier Lower Plate Spacer	838104	1
7	Spare Tire Carrier Upper Plate Spacer	838105	1
8	Hinged Tire Carrier 3/8"-16 Thread Rubber Plug	838109	4
9	Hinged Tire Carrier 1/2"-13 Thread Rubber Plug	838110	3
10	Hole Plug for Tire Carrier	4860222	1

**IMPORTANT:** Do not remove the factory tailgate hinges until instructed to do so. Precisely following these instructions will help avoid any tailgate adjustment and misalignment issues. Ensure the tailgate is closed tightly and do not open it during installation.

1

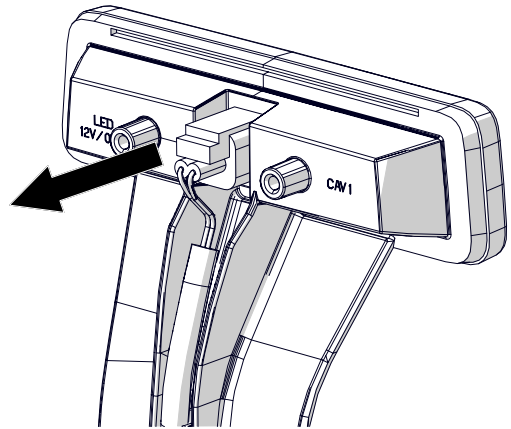
2



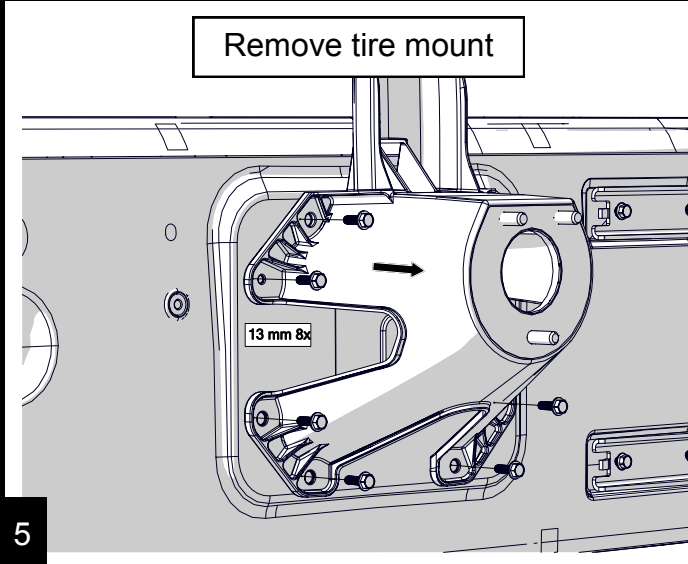
3

4

Unplug light connector



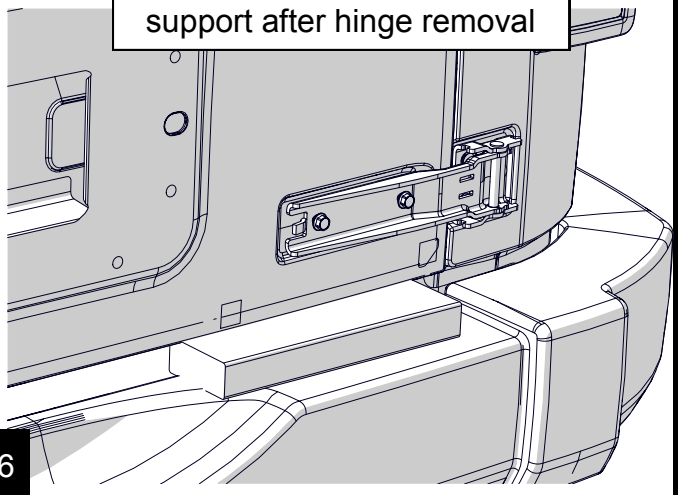
Remove tire mount



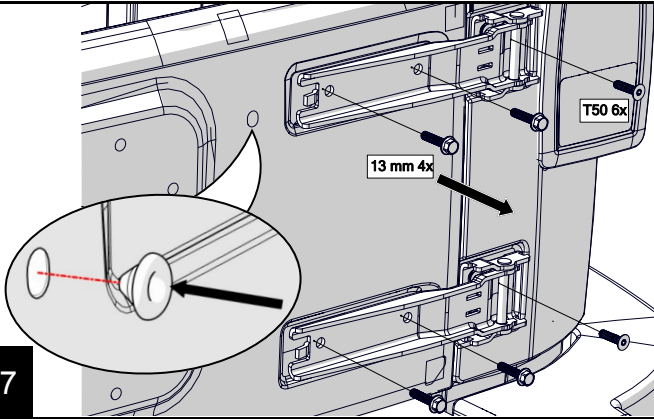
5

6

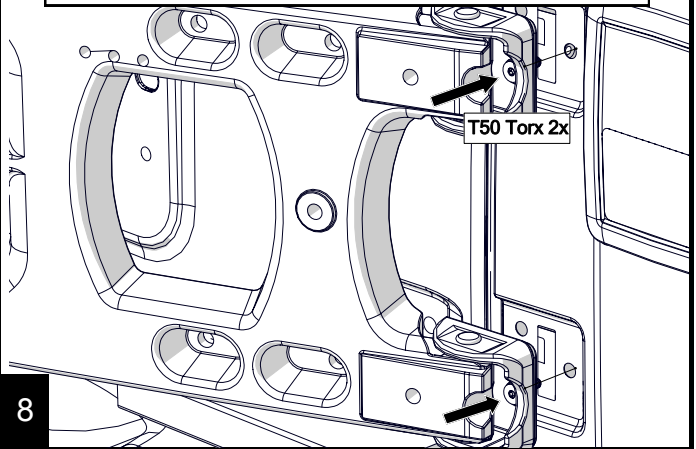
Place spacer under tailgate to support after hinge removal



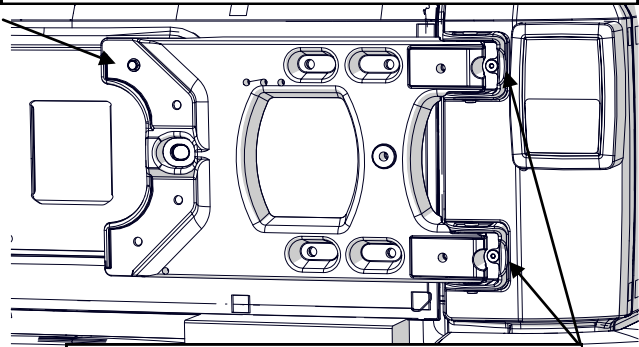
Replace passenger side production bumper with provided rubber plug.  
Remove hinges



Apply thread locking compound, loosely seat original bolts into the hinges

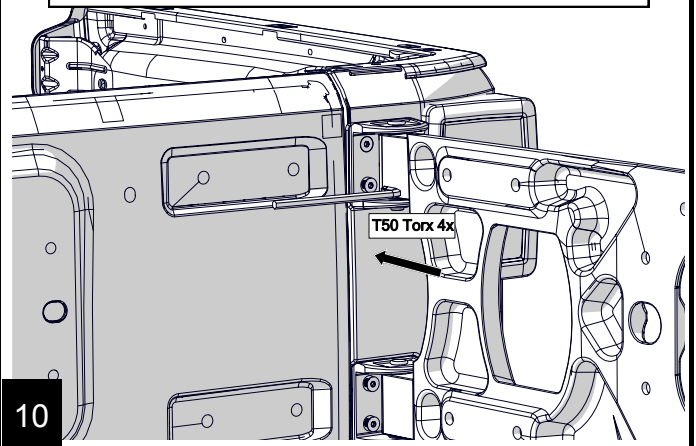


Install bolt to align cast hinge to tailgate.  
Visually inspect all bolt holes for alignment

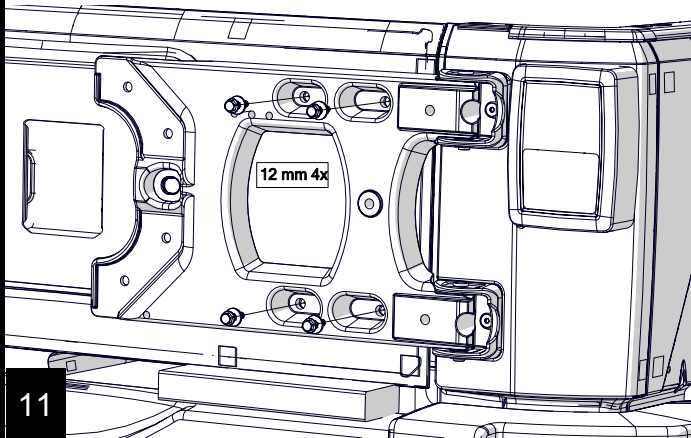


After alignment is complete, torque bolts to 26 N-m (19 ft-lbs)

Open hinge, apply thread locking compound, torque bolts to 26 N-m (19 ft-lbs)



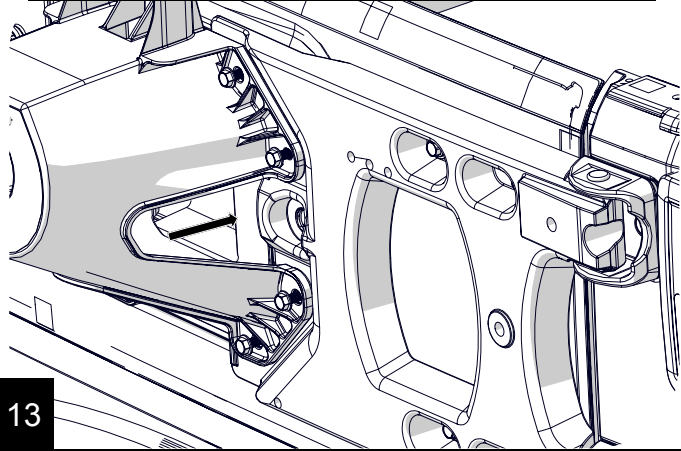
Apply thread locking compound, install and torque included bolts to 20 N-m (15 ft-lbs)



If installing the optional tire mount #77072345 in conjunction with cast hinge reinforcement kit, refer to instruction set K6862213 included with that kit. If reusing the factory tire mount, continue with step 14 in this instruction set.

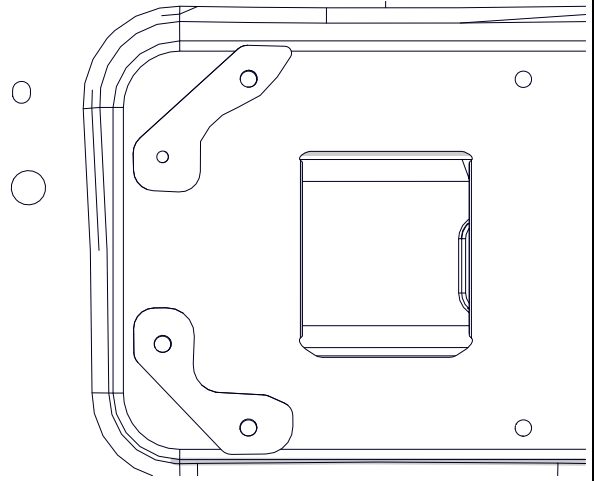
12

Reuse original hardware, apply thread locking compound and loosely install bolts



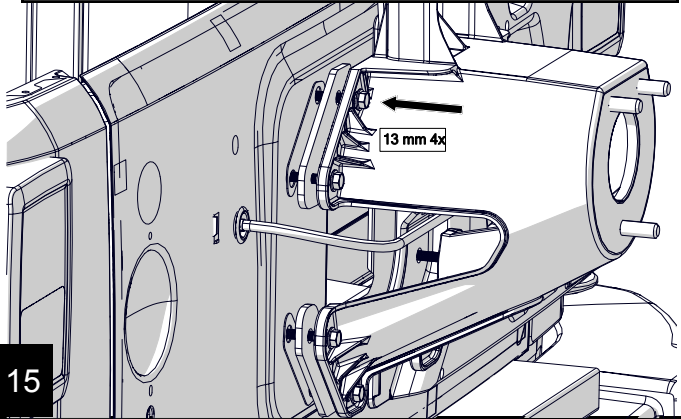
13

Orient spacers as illustrated



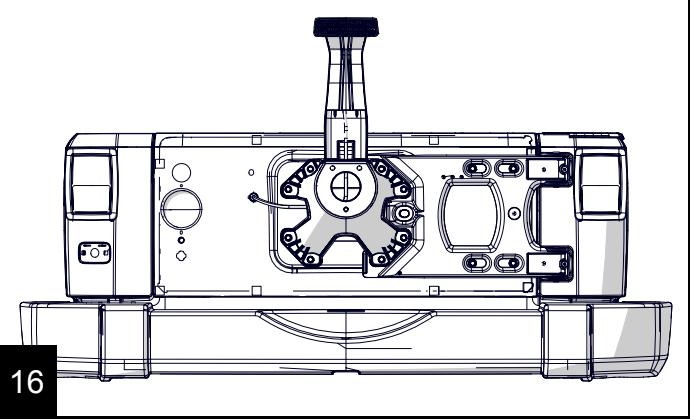
14

Note location of spacers, place gasket between spacer and tailgate. Apply thread locking compound and install bolts



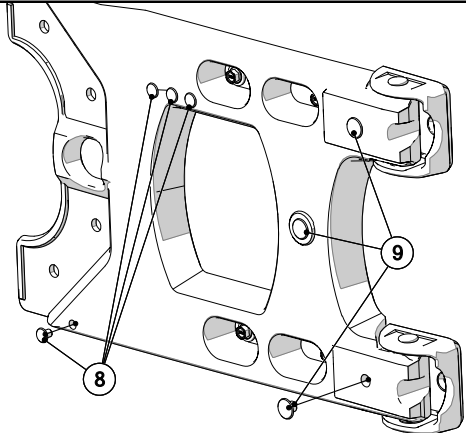
15

Torque 8 tire mount bolts to 20 N-m (15 ft-lbs)  
Remove support spacer under tailgate



16

Optional: Push in the 7 rubber plugs into the threaded holes as shown.



17

- Open and close tailgate to ensure proper function.
- Fold and place this instruction sheet in the vehicle glove box for future reference.
- For customer service questions, refer to your local Jeep dealership.

18

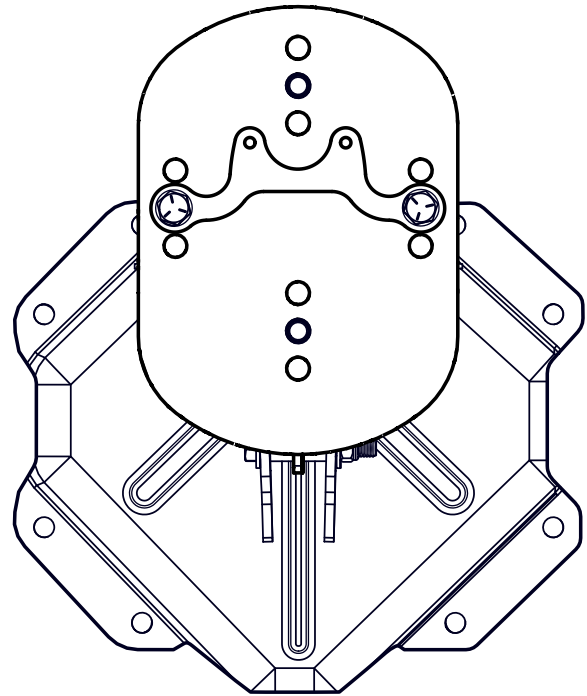
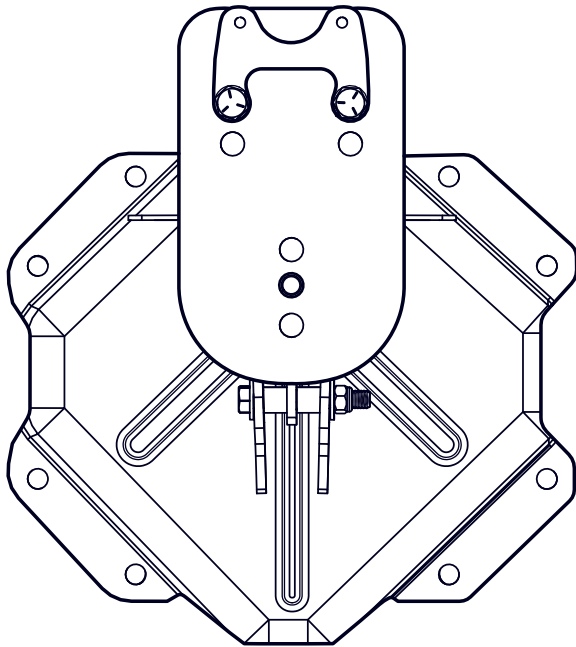


# JK HD ADJUSTABLE SPARE TIRE MOUNTING KIT

#4838130 Kit for 5 on 5" Wheels

#4838235 Kit for 5 on 5.5" Wheels

#4838188 Kit for 8 on 6.5" Wheels



## IMPORTANT NOTES:

Prior to beginning this install, or any installation, *read the instructions thoroughly* to familiarize yourself with the required steps. Evaluate if you are experienced and capable to personally perform these modifications. A factory service manual should be used in conjunction with these installation instructions.

This product will change the highway handling characteristics of your vehicle, exercise caution. After altering the suspension it is always advisable to have an alignment done by a competent 4 wheel drive shop or by an alignment shop that is experienced with lifted 4 wheel drive vehicles.

Refer to the parts list to ensure that all necessary components and hardware has been included. If any parts are missing please contact your local TeraFlex dealer for assistance.

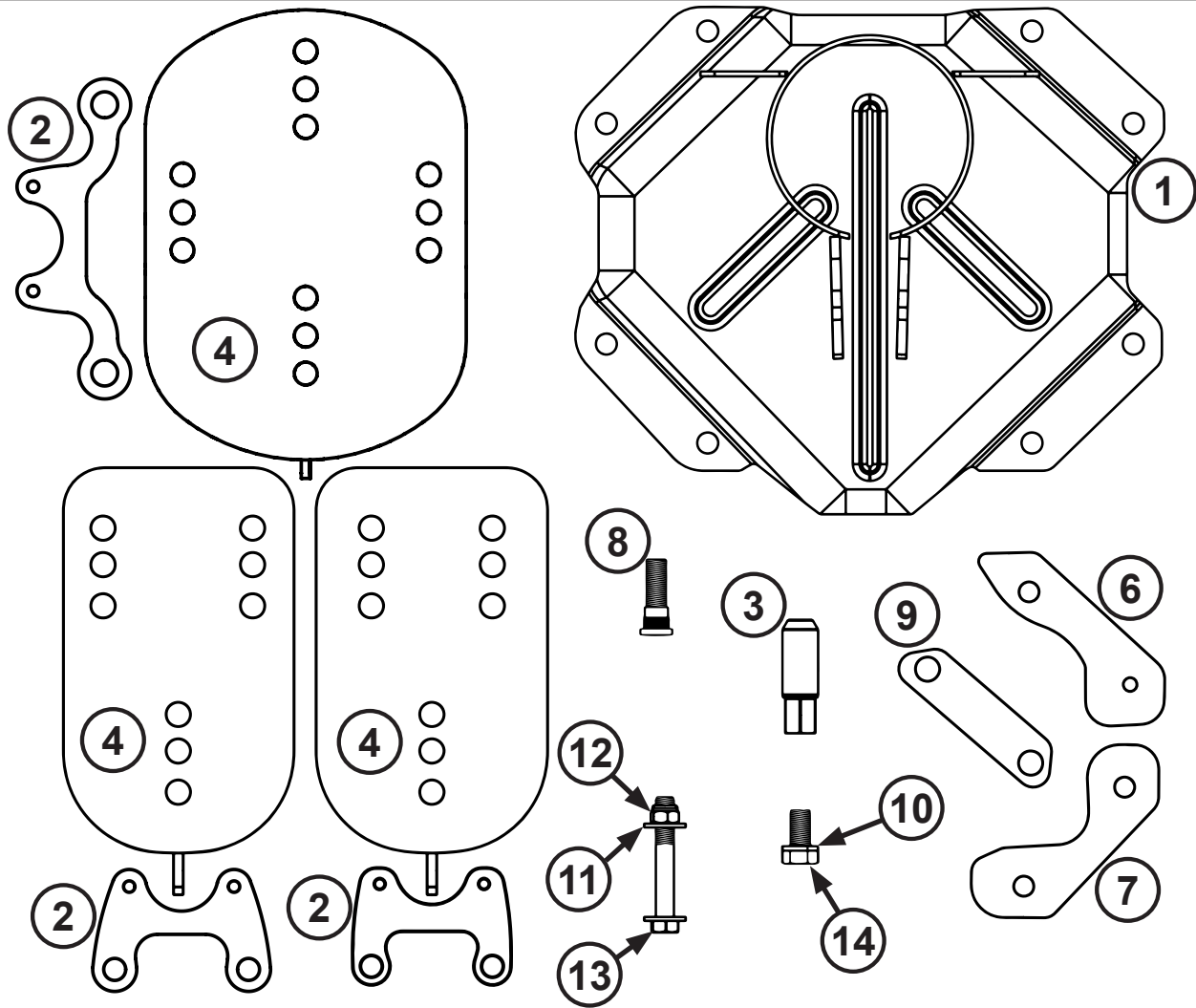
*If you are using the factory wheels, you will also need to use a wheel spacer in conjunction with this kit. Kit #1055005.*

## TOOLS NEEDED:

- Lug Wrench
- 13 mm socket
- 16 mm socket
- Ratchet
- Blue thread locking compound
- Cut off wheel and grinder or other method to cut factory third brake light

## Maintenance Note:

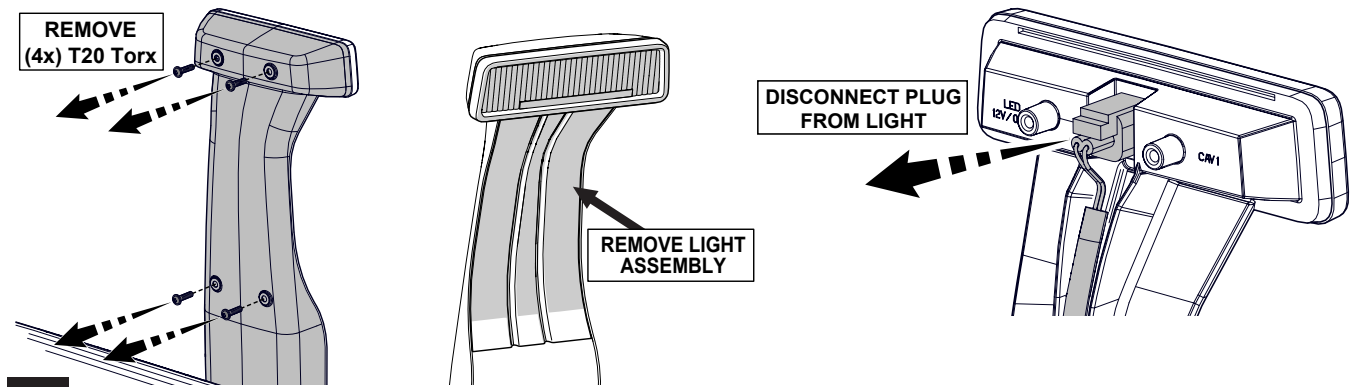
After the first 300 miles re-torque all hardware and bolts.



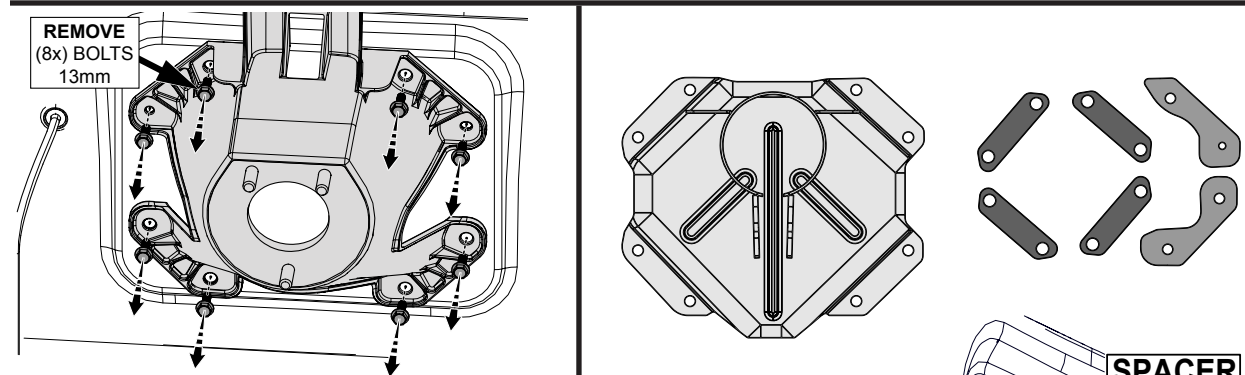
Item #	Part Number	Description	4838130 QTY	4838235 QTY	48381188 QTY
1	838184	JK Adjustable Tire Mount Base Plate and Tube Assembly	1	1	1
2	838149 / 838150 / 838151	JK Spare Tire Carrier 3rd Brake Light Mounting Plate	1	1	1
3	838128	Custom Lug Nut for Brake Light Mount with 1/2"-20 UNF Threads	2	2	2
4	838117 / 838118 / 838188	JK Adjustable Tire Mount Sliding Mount Plate Assembly	1	1	1
5	838106	JK Spare Tire Carrier Adjustable Mount Anti-Rotation Bushing	2	2	2
6	838105	JK Spare Tire Carrier Upper Plate Spacer	1	1	1
7	838104	JK Spare Tire Carrier Lower Plate Spacer	1	1	1
8	610192	Wheel Stud 1/2"-20 UNF x 1.7" Long Zinc-Nickel Coated	3	3	4
9	610039	Gasket for JK Tire Carrier Spacer Plates	4	4	4
10	351	Washer 1/2" Lock Washer Zinc-Nickel Plated	2	2	2
11	254	Washer M10 Flat with Zinc-Nickel Coating	4	4	4
12	253	Nut M10 x 1.5 P Hex Head Stover Zinc-Nickel Coating	2	2	2
13	252	Bolt M10 x 1.5P x 70mm Long Hex Head Grade 10.9 Zinc-Nickel Coating	2	2	2
14	235	Bolt 1/2"-20 UNF x 1" Long Hex Head with Zinc-Nickel Plating Grade 5	2	2	2

NOTE: The following instruction sheet details the installation of the Adjustable Oversize Wheel and Tire Mount on the tailgate as a stand alone tire mount, as well as in conjunction with the Cast Tailgate and Hinge Reinforcement Kit.

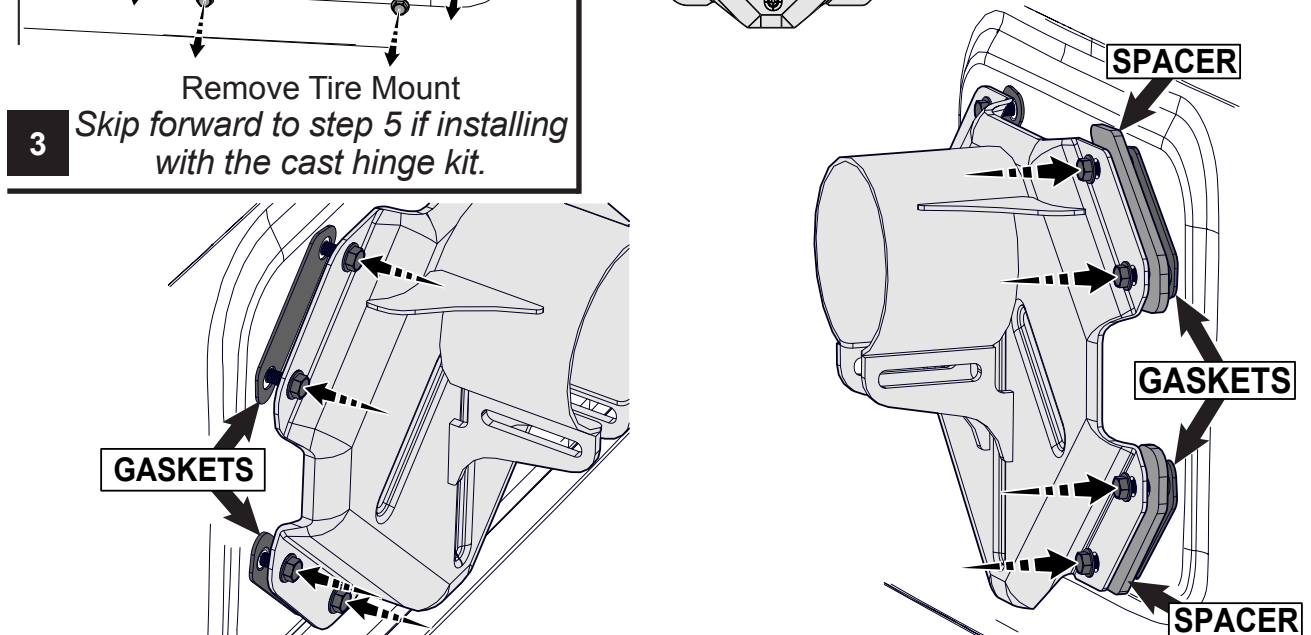
**1** Remove existing spare tire and original spare tire bumpers from tailgate, if present.



**2** Remove light assembly from carrier housing.



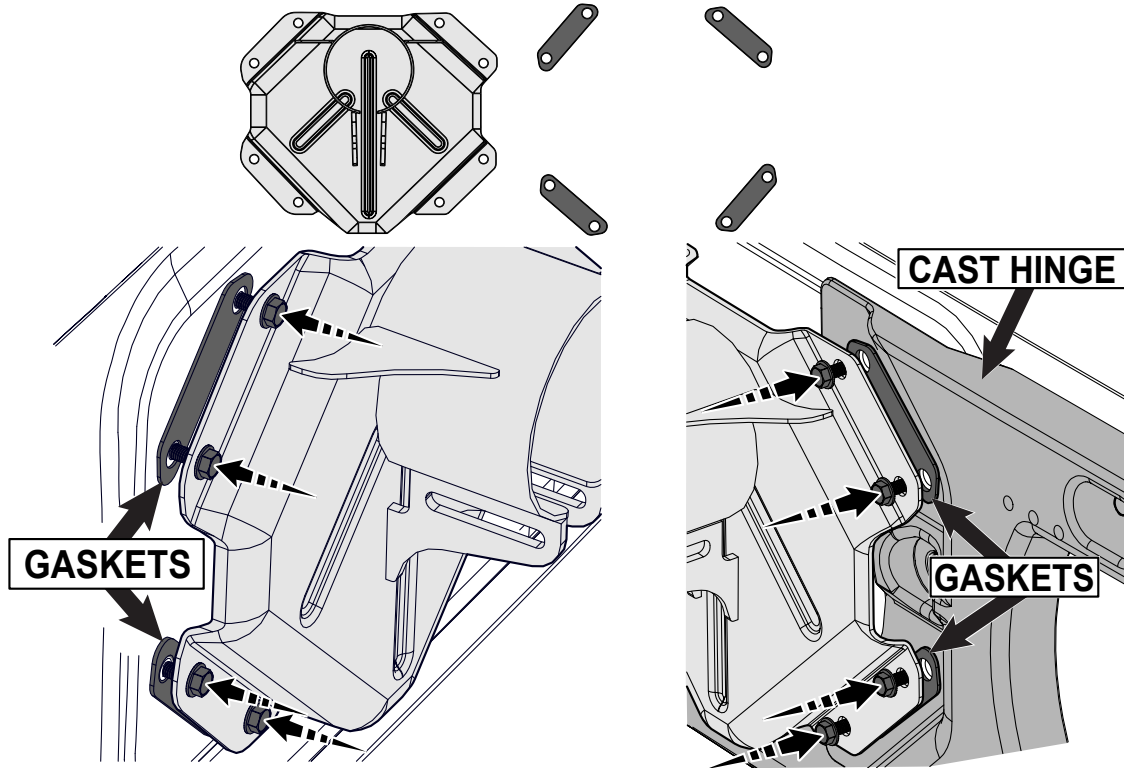
**3** Skip forward to step 5 if installing with the cast hinge kit.



**4** Apply thread locking compound to original bolts and install tire mount base as shown. Torque the 8 mounting bolts to 20 N-m (15 ft-lbs)



Steps 5 outline the installation of the adjustable tire mount base when installed inconjunction with the cast hinge (Part # 82214770).  
Skip ahead to step 6 for tire mounting plate installation and adjustment.

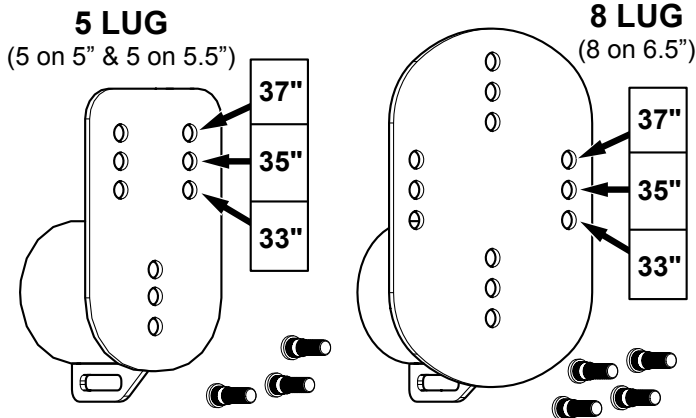


Place gaskets between tailgate and mount, apply thread locking compound and loosely install 4 of the original bolts

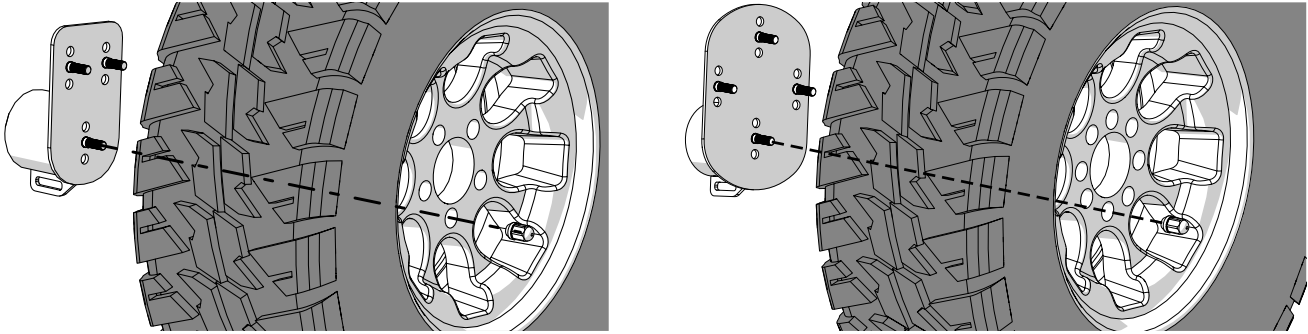
Place gaskets between 1 and mount, apply thread locking compound and loosely install remaining 4 original bolts

**5** Torque the 8 mounting bolts to 20 N-m (15 ft-lbs)

## LUG LOCATIONS FOR TIRE SIZE

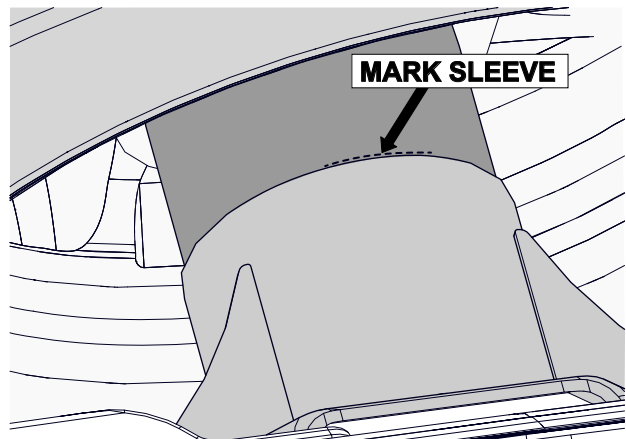
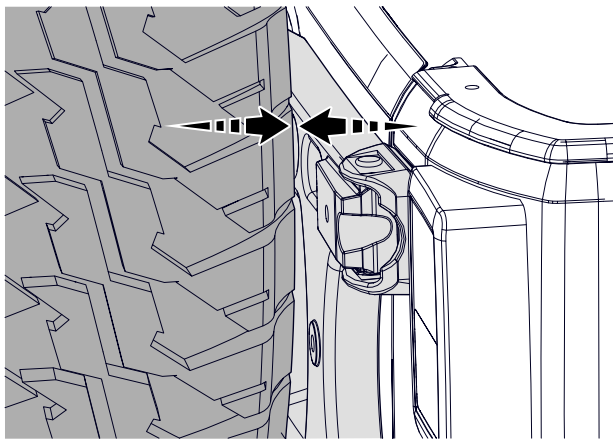


**6** Press the included wheel studs into the appropriate set of holes for your tire size (3 wheel studs for 5 lug and 4 for 8 lug).



7

Attach the Mount Plate to the spare tire using 1 lug nut

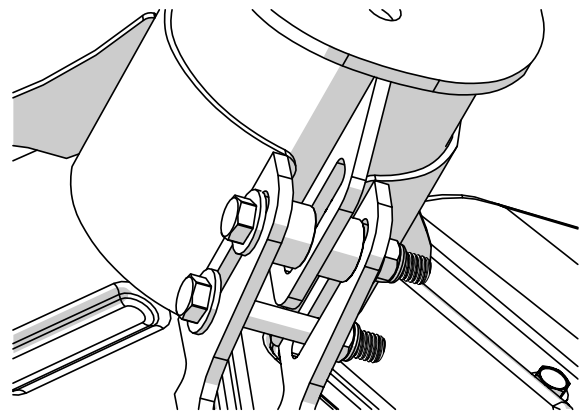
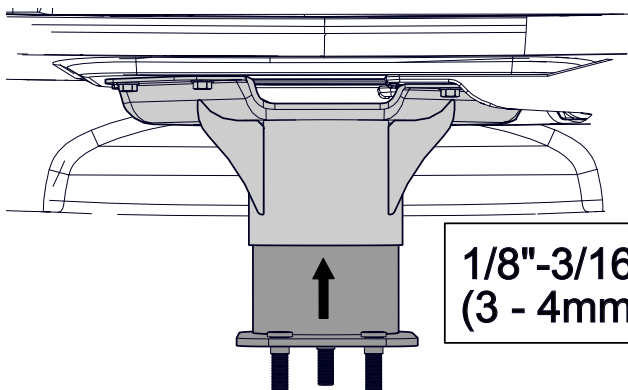


Slide the mount into the base on the tailgate. Push the tire firmly up against the cast hinge.

Mark a line on the mount where it meets the base.

Remove spare tire and mount assembly.

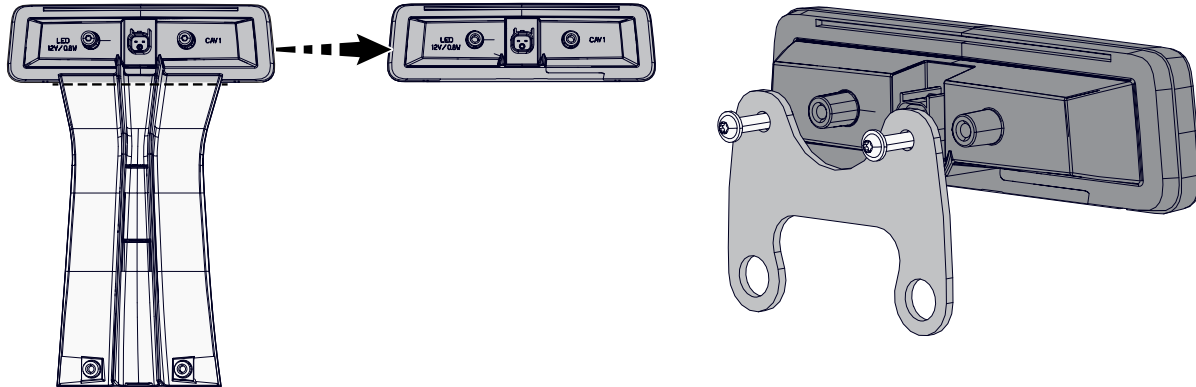
8



Remove the mount from the tire. Reinstall mount plate onto mount base.  
Slide mount plate in 1/8" - 3/16" (3 - 4 mm) farther past line past marked reference line.  
Install pinch bolts and spacers. Ensure at least 1 bolt is installed through slot on mount.

Torque bolts to 38 ft-lbs (51 N-m)

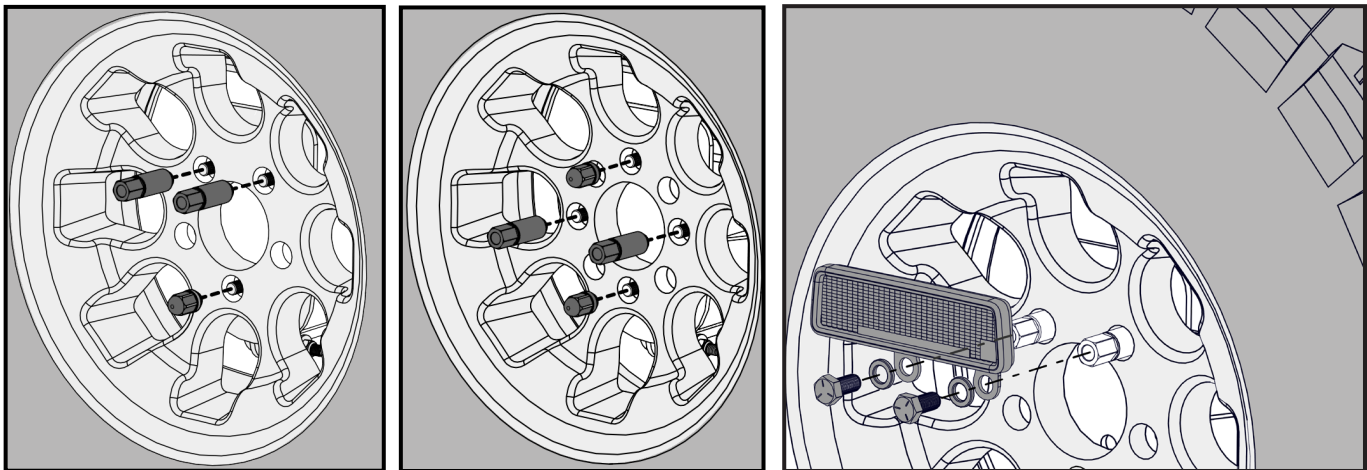
9



Cut factory third brake light along black line.

Use 2 original T20 Torx screws to mount the cut third brake light to bracket.

10



Install spare tire using the two included custom lug nuts as shown.

For the other lug(s) install the original(s) and torque to 65 ft-lbs (87 N-m)

11

Route brake light wiring through wheel, plug light in and torque bolts to 37 ft-lbs (50 N-m)

- Open and close tailgate to ensure proper function if cast hinge was installed.
- Ensure tire is **firmly** pressed against the cast hinge or against the factory tire bumpers on the tailgate if the cast hinge was not used
- Fold and place this instruction sheet in the vehicle glove box for future reference.
- For customer service questions, refer to your local Jeep dealership.

# TERAFLEX

## PRODUCT INFORMATION

### MAINTENANCE INFORMATION:

It is the buyer's responsibility to have all suspension, drivetrain, steering, and other components checked for proper tightness and torque after the first 100 miles and every 3000 miles after that.

### NOTICE TO INSTALLER:

The enclosed "Warning to Driver" sticker must be installed in the vehicle in driver's view. This sticker is to act as a constant safety reminder when operating the vehicle. It is your responsibility as the equipment installer to install the provided sticker and to forward the product instructions to the vehicle's owner for review. If a "Warning to Driver" sticker or product installation guide were not included in the kit, FREE replacement stickers and instructions are available by request. It is the installer's duty to ensure a safe and controllable vehicle after the modifications have been performed.

### WARNING:

Neither the seller nor the manufacturer will be liable for any loss, damage, or injury directly or indirectly arising from the use of or inability to determine the use of these products. Before using, the user shall determine the suitability of the products for its intended use, and the user shall assume all responsibility and risk in connection therewith.

### WARNING TO DRIVER:

This vehicle has been modified to enhance off road performance and has unique handling characteristics. Use in harsh environments can cause extreme stress on the components. Vehicle should be inspected after being off road to make sure that all the components are in working order and safe to travel on the highway. All fasteners should be checked so that they are at the correct torque specifications as the vibration and stresses from off roading may cause critical fasteners to work loose. Extra care should be taken to inspect the critical components, steering, and brake systems. During each oil change components such as arms, tie rod ends, etc should be greased and checked for excessive wear. Any worn components should be replaced. When returning to the pavement always set or restore tire air pressure to the factory recommendation and connect or engage any disabled sway bar mechanisms. Because of the higher center of gravity and larger tires, this vehicle handles and reacts differently than many passenger cars, both on and off road. You must drive it safely! Extreme care should be taken to prevent vehicle rollover or loss of control, which can result in serious injury or death. Avoid sudden sharp turns or abrupt maneuvers. Generally, braking performance and capabilities are decreased when significantly larger/heavier tires are used, especially when used in combination with transfer case low-range reduction kits. Take this into consideration while driving. Do not add, alter or fabricate any factory or aftermarket parts to increase vehicle height over the intended height of the TeraFlex product purchased. Mixing component brand is not recommended. TeraFlex Inc. will not be responsible for any altered product or any improper installation or use of our products. We will be happy to answer any questions concerning the design, function, and correct use of our products. It is ultimately the buyer's responsibility to have all bolts/nuts checked for tightness after the first 100 miles and then every 3000 miles. Wheel alignment, steering system, suspension and drive line systems must be inspected by a qualified professional mechanic at least every 3000 miles.

### TERAFLEX PRODUCT WARRANTY:

TeraFlex Inc. warrants TeraFlex Suspension products to the original retail purchaser to be free of defects in material and workmanship for as long as the original purchaser owns the vehicle on which products were originally installed.

Failure to complete regular maintenance (grease every 3000 miles) on TeraFlex FlexArms will void this warranty. All other conditions of the standard TeraFlex product warranty apply.

All TeraLow products are covered by the TeraFlex two (2) year warranty to be free of defects in material and workmanship for two years from date purchased.

TeraFlex axles are covered by a 12-month warranty to be free of defects in materials and workmanship.

This warranty does not cover or include product finish, improperly installed or applied products, improperly maintained products, products or components used for racing or competition or damage due to abuse or neglect, products that fail due to the use of larger tire and wheel combinations.

All returns must be accompanied by an original invoice. It is the customer's responsibility to remove the product from the vehicle. Shipping charges are the responsibility of the customer. TeraFlex Inc. will pay the return freight if the product meets the terms of warranty.

This warranty is for the replacement or repair of defective TeraFlex products only and does not include freight charges, labor charges for removal of or installation of TeraFlex or related products or components, costs incurred due to down time of the vehicle, or lost profits due to vehicle down time.

A returned goods authorization number (RGA#) must accompany any returned products. For more information please contact a TeraFlex customer service representative.

### COPYRIGHT

©Copyright 2014. All rights reserved, TeraFlex Inc. Reproduction of this catalog and/or any of its contents without written permission is strictly prohibited.

TeraFlex® is a registered trademark of TeraFlex Inc. All trade names and logos including but not limited to TeraFlex, FlexArms, RockGuard, Monster, and LCG are protected by law and duplication of trade names and/or logos are strictly prohibited.

TeraFlex Inc. reserves the right to update, discontinue, redesign, modify finish, part number or component build parts if deemed necessary without written notice. TeraFlex Inc., and any associated dealers are not responsible for misprints or typographical errors that may have inadvertently been made within this instruction sheet.

Jeep® and the Jeep® grill are registered trademarks of Fiat Chrysler Automobiles N.V., and have no affiliation with TeraFlex Inc.

**TERAFLEX**, Inc.  
5680 West Dannon Way  
West Jordan, UT. 84081  
Phone/801.713.3314  
Fax/801.713.2313  
www.teraflex.com