



# Installation Instructions

## Duster™ Deck Cover Extension



(Dual Top/Soft Top Only)




### Vehicle Application

- Jeep Wrangler JK Unlimited  
2007 to current  
Part Number: 90034

Must be used with JK Unlimited Duster Part Number 90031

[www.Bestop.com](http://www.Bestop.com) - We're here to help! Visit our web site and click on ["Ask a Question"](#). Click here for more [Jeep Accessories by Bestop](#).

INSTALLATION TIME	SKILL LEVEL
 1/2 Hour	 1 - Easy

TOOLS		
 Safety Glasses	 Phillips Screwdriver	 Chalk





### Installation Tips

Before you begin installing this assembly, read all instructions thoroughly.

#### For a smooth fit:

For ease in installation, the product should be installed at temperatures above 72° F. Below this temperature, the fabric may contract an inch or more, making it difficult to fit to the vehicle. It is normal for fabric to contract and wrinkle when stored in the shipping carton. Within a few days after the installation, the fabric will relax and the wrinkles will disappear.

 **CAUTION** Safety glasses should be worn at all times while installing this product.

 **WARNING** This product is designed primarily to enhance the appearance of the vehicle and to shield the occupants from ordinary weather conditions. Do not rely in any way on the components of this product to contain occupants within the vehicle, or to protect against injury or death in the event of an accident. This product will not protect the occupants from falling objects. Never operate the vehicle in excess of manufacturer's specifications.

#### WEAR SEAT BELTS AT ALL TIMES

Read and follow, precisely, all installation instructions provided when installing product. Failure to do so may result in a poor fit and could place occupants of the vehicle in a potentially dangerous situation.

# Duster™ Deck Cover Extension – Installation Instructions

## Parts List

Duster™ Deck Cover Extension Qty - 1



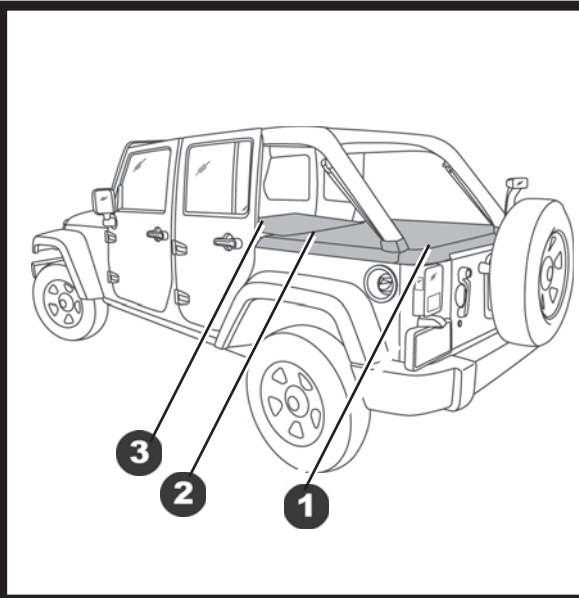
Acorn Locknut, Part Number 427.11, Qty - 5

Snap Head Screw, Part Number 200.49, Qty - 5

## 1 Install Duster™ Deck Cover

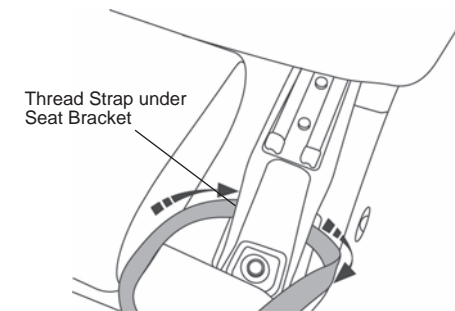
Make sure your Duster™ Deck Cover is installed on the vehicle and the seat belts are tucked into the collars.

Fold down the rear seat and slide the front seats all the way forward.



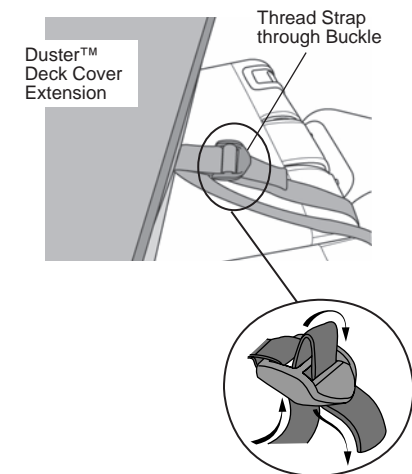
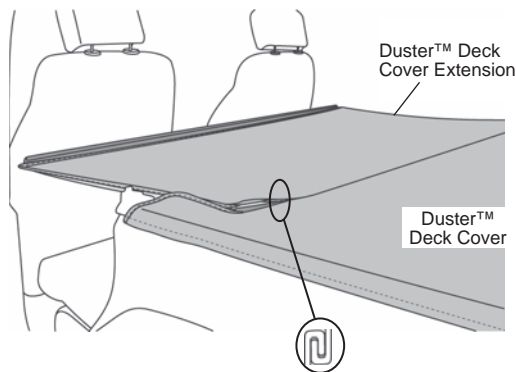
## 3 Secure Center Straps

Locate the two (2) long straps in the center of the Duster™ Deck Cover Extension. Wrap them under the seat brackets. Thread the end of each strap through the buckle and tighten.



## 2 Install Extension on Duster™ Deck Cover™

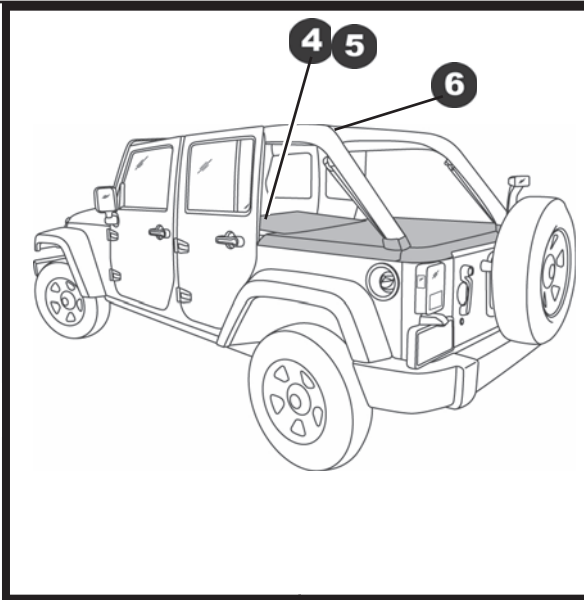
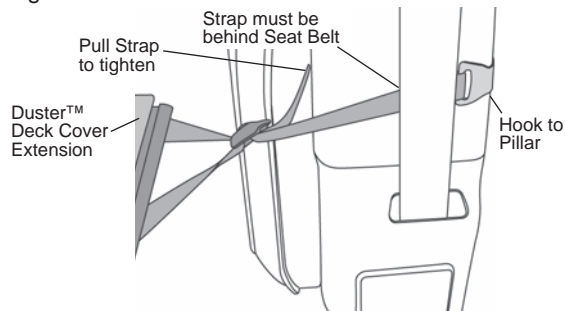
Orient the Duster™ Deck Cover Extension with the straps toward the front. Slide the plastic hook on the rear of the Extension onto the plastic hook on the front of the Duster™ Deck Cover. Center the Extension and fasten the hook and loop strips.



## Duster™ Deck Cover Extension – Installation Instructions

### 4 Install Side Straps

Locate the outside straps, one (1) on each front corner of the Duster™ Deck Cover Extension. Slip each strap between the seat belt and the front pillar. Hook the end of the strap to the front pillar so that the hook is level with the Duster™ Deck Cover Extension. Pull the end of the strap to tighten.



### 6 Secure Windjammer™ Straps – Optional

Start with the center straps and thread the end of each strap around the sport bar and through each buckle. Loosely tighten each strap to hold the Windjammer™ in position.

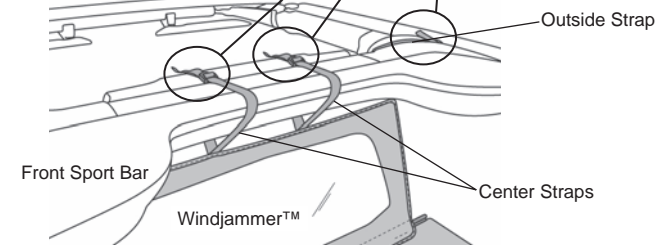
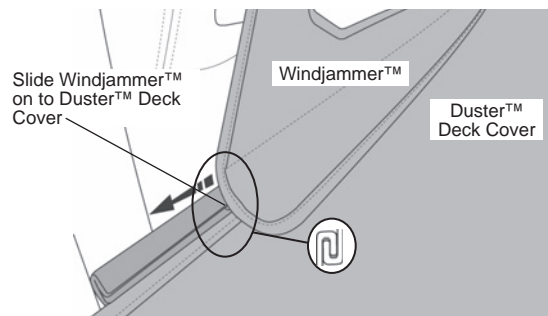
Wrap the outside straps around the sport bar to the outside and thread the ends through the buckles. Tighten the straps.



### 5 Install Windjammer™ – Optional

If you wish to install a Windjammer™ on your vehicle, slide the plastic hook inside the bottom of the Windjammer™ onto the plastic hook along the front of the Duster™ Deck Cover Extension.

Center the Windjammer and fasten the hook and loop strips.



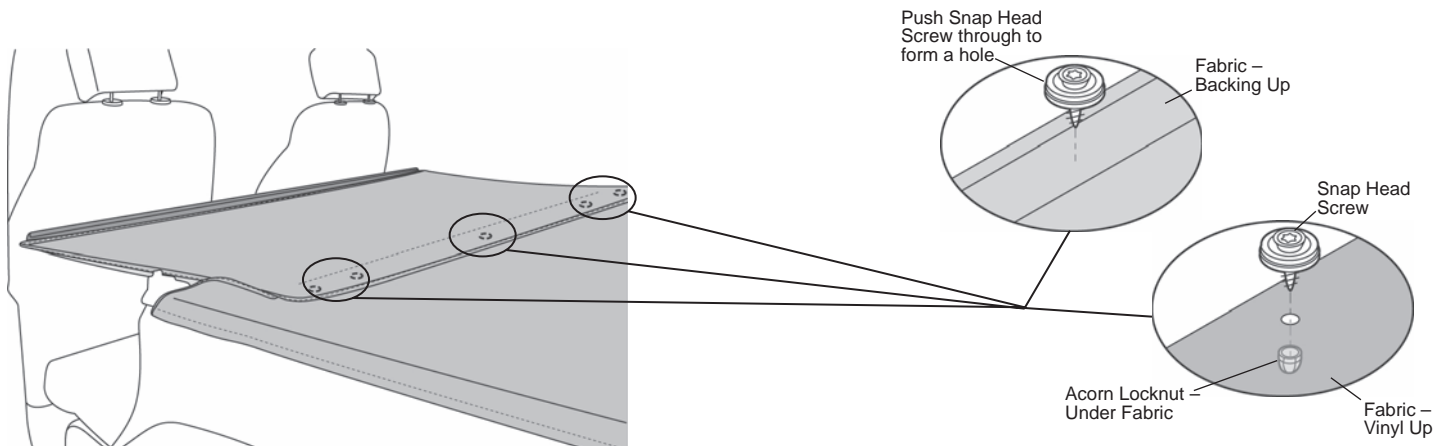
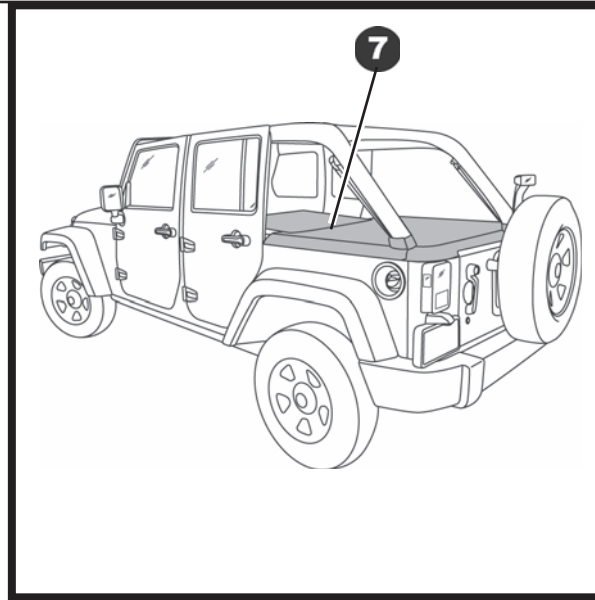
## Duster™ Deck Cover Extension – Installation Instructions

### **7** Install Snaps to Secure Duster™ Deck Cover Extension to Duster™ Deck Cover – Optional

Pull the flap on the rear of the Duster™ Deck Cover Extension out over the top of the front edge of the Duster™ Deck Cover.

Rub chalk on the snaps on the Duster™ Deck Cover Extension flap. Pull up on the front reinforced edge of the Duster™ Deck Cover and press the snaps against the Duster™ Deck Cover to mark the locations.

At the marked locations, push the sharp end of a Snap Head Screw through the Duster™ Deck Cover from the backing side and through both layers of fabric, to make a hole. Once the hole is formed, pull the screw back out of the hole. Then push the screw through the hole from the vinyl side so that the snap is on top of the vinyl. Install an Acorn Locknut over the pointed end of the Snap Head Screw.



## Duster™ Deck Cover Extension – Installation Instructions

---

### Care and Maintenance of your Bestop Product

Your Bestop product is made of the finest materials available. To keep it looking new and for the maximum possible wear, it will need periodic cleaning and maintenance.

**Washing:** The fabric should be washed often using soap, warm water and a soft bristle brush. Rinse with clear water to remove all traces of soap or use Bestop-recommended Bestop Cleaner and Bestop Protectant. Bestop Cleaner and Bestop Protectant are specially formulated to provide a total cleaning and protection system. Bestop Cleaner will not harm vehicle finish, is biodegradable and environmentally friendly. Bestop Protectant protects against UV-fading, cracking and hardening.

**Water:** Seeping through at the seams may be stopped by applying 3-M Scotchgard® on the inside of the seams. Rips in the fabric may be repaired with Bondex® iron on patches. Iron the patches to the Inside of the top, carefully following the Bondex® instructions.

---

### LIMITED WARRANTY

We warrant our product to be free from defects in material and workmanship, for the terms specified below, provided there has been normal use and proper maintenance. This warranty applies to the original purchaser only. All remedies under this warranty are limited to the repair or replacement of any item or items found by the factory to be defective within the time period specified. If you have a warranty claim, first you must call our factory at the number below for instructions. You must retain proof of purchase and submit a copy with any items returned for warranty work. Upon completion of warranty work, if any, we will return the repaired or replaced item or items to you freight prepaid. Damage to our products caused by accidents, fire, vandalism, negligence, misinstallation, misuse, Acts of God, or by defective parts not manufactured by us, is not covered under this warranty.

THE WARRANTY TIME PERIOD IS AS FOLLOWS FOR REPLACE-A-TOP™, SAILCLOTH REPLACE-A-TOP™, SUPERTOP®, SUPERTOP® REPLACEMENT SKINS, SUNRIDER®, AND TIGERTOP®: TWO YEARS FROM DATE OF PURCHASE.

THE WARRANTY TIME PERIOD IS AS FOLLOWS FOR ALL OTHER "SOFT GOODS" MANUFACTURED BY OUR COMPANY (USING PRIMARILY VINYL, PLASTICS, AND/OR FOAM): ONE YEAR FROM DATE OF PURCHASE.

THE WARRANTY TIME PERIOD IS AS FOLLOWS FOR ALL OTHER "HARD GOODS" MANUFACTURED BY OUR COMPANY (USING PRIMARILY METALS, PLASTICS, AND/OR FIBERGLASS): ONE YEAR FROM DATE OF PURCHASE.

ANY IMPLIED WARRANTIES OF MERCHANTABILITY AND/OR FITNESS FOR A PARTICULAR PURPOSE CREATED HEREBY ARE LIMITED IN DURATION TO THE SAME DURATION AND SCOPE AS THE EXPRESS WRITTEN WARRANTY. OUR COMPANY SHALL NOT BE LIABLE FOR ANY INCIDENTAL OR CONSEQUENTIAL DAMAGE.

Some states do not allow limitations on how long an implied warranty lasts, or the exclusion or limitation of incidental or consequential damages, so the above limitations or exclusions may not apply to you. This warranty gives you specific legal rights, and you may also have other rights which vary from state to state.



For further information or request for warranty work, please contact:

Bestop Inc., Customer Service  
Toll-Free: (800)845-3567  
Main: (303)465-1755  
E-mail: [csbestop@Bestop.com](mailto:csbestop@Bestop.com)  
Website: [www.Bestop.com](http://www.Bestop.com)