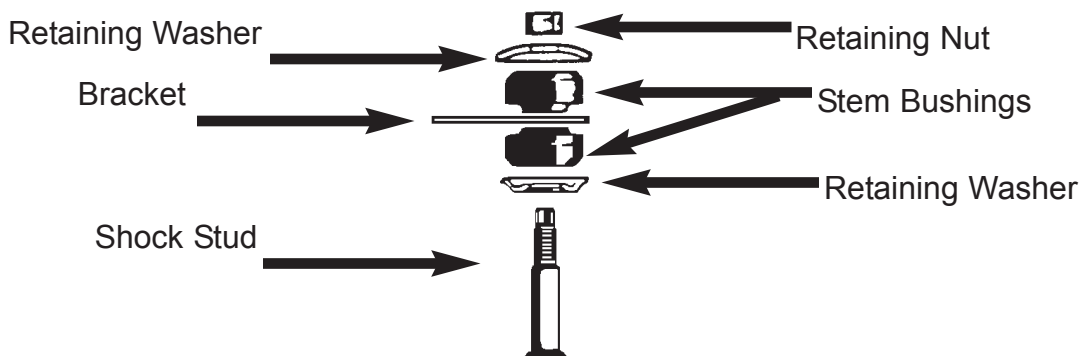


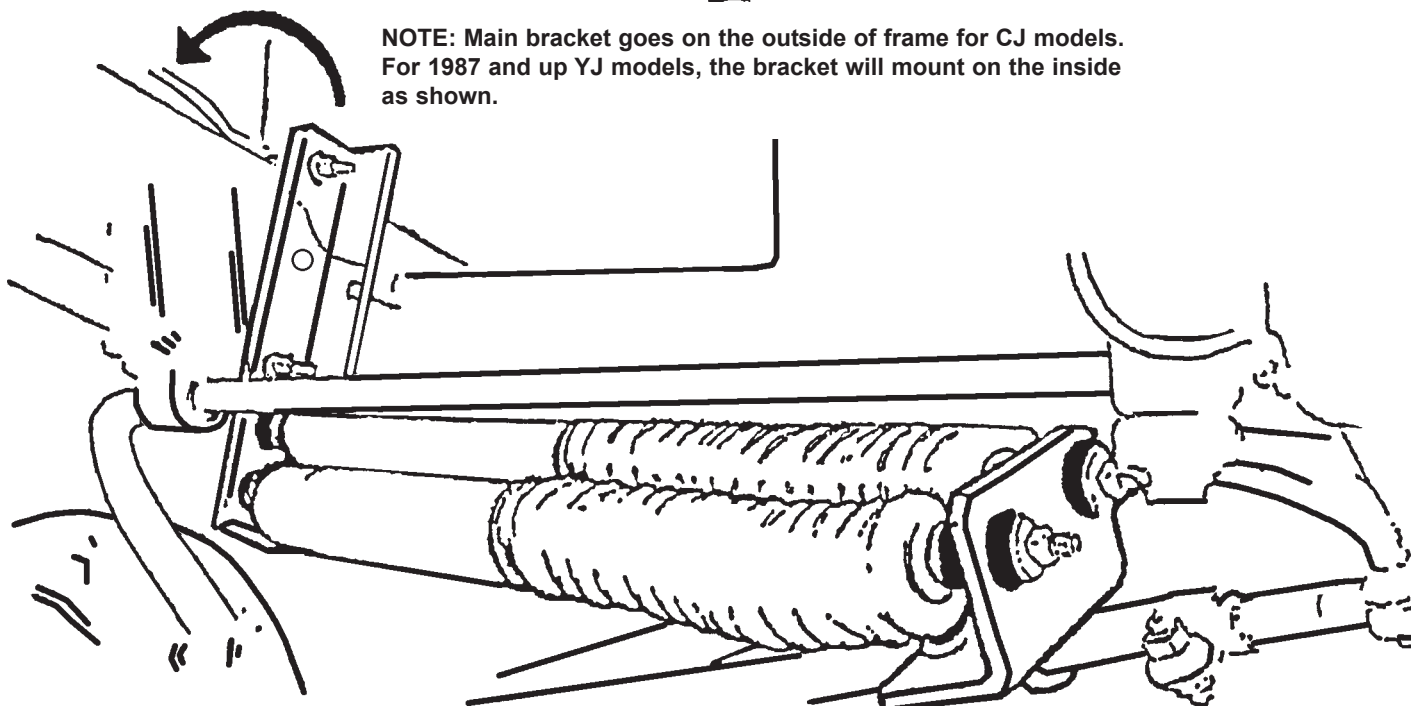
Part #	Description	Qty.
7900	WHITE STEERING DAMPER	2
83540	UNVRSL DAUL MAIN BRKT JEEP	1
83541	UNVRSL TIE ROD BRKT JEEP	1
38X418X4U	3/8 X 4 1/8 X 4 U-BOLT SQ	1
516X1X134U	5/16 X 1 X 1 3/4 U-BOLT RD	2
38CTN	3/8-16 COARSE N/I LOCK NUT	2
38SAEW	3/8 SAE WASHER	2

Part #	Description	Qty.
516CTN	516-18 COARSE N/I LOCK NUT	4
516SAEW	5/16 SAE WASHER	4
STEM BUSH-SST	STEM BUSHING-STEERING STAB.	8
142120	STAB WASH PKG	4
BTIE	RED BOOT TIE	2
B10RS	RED BOOT	2
HSS	HYDRO SHOCK DECAL	2

1. Park the vehicle on level ground and place the wheel in a straight forward position. Set the emergency brake and block the rear tires.
2. Place main bracket on OUTSIDE of the passenger frame rails on CJ models. Mount on inside of frame rail on YJ models. Install the U-Bolt around the frame with nuts and washers. Do not tighten at this time.
3. Place tie rod bracket on drag link and slide it up towards the turn buckle next to pitman arm. Install U-bolts, nuts, and washers. Do not tighten at this time.
4. Mount stabilizers onto brackets using boots, bushings, and washers provided. Be sure main bracket is slightly forward of the drag link assembly and loosely tightened.
5. Roll drag link bracket toward the front bumper and align with the frame bracket. Extend both stabilizer shafts out 4", exactly half way. Loosely mount tie rod bracket at that point. On CJ models the bracket will mount on the turn buckle. Tighten all U-Bolts at this time.
6. Rotate tires left to right and check all hardware for adequate clearance. Re-tighten all hardware after the first 100 miles and periodically thereafter.



NOTE: Main bracket goes on the outside of frame for CJ models. For 1987 and up YJ models, the bracket will mount on the inside as shown.



JESUS CHRIST DIED FOR YOU

John 3:16

For God so loved the world that He gave His only Son, so that everyone who believes in Him should not perish, but have everlasting life.

Romans 3:23

For all have sinned; all fall short of God's glorious standard.

Psalms 18:2

The Lord is my Rock, my fortress, and my savior; my God is my Rock, in whom I find protection. He is my shield, the strength of my salvation, and my stronghold.

STEPS TO ACCEPTING JESUS CHRIST AS YOUR PERSONAL SAVIOUR

God, I come to You admitting I have sinned against You and I need you to take control of my life. The Bible says anyone who calls on the name of the Lord will be saved. I am calling on You, Jesus. I ask that You come live in my heart and be the Lord over my life today. I do believe You died on the cross for me and came back to life to give me life!

Romans 10:9-10 says that if I confess with my mouth that Jesus is Lord and believe in my heart that God raised Him from the dead, I will be saved. Because it is by believing in your heart that you are made right with God, and it is by confessing with your mouth that you are saved.

Thank You, Lord Jesus for a new life in You!
Now, go and tell somebody about your
new life in Jesus.

