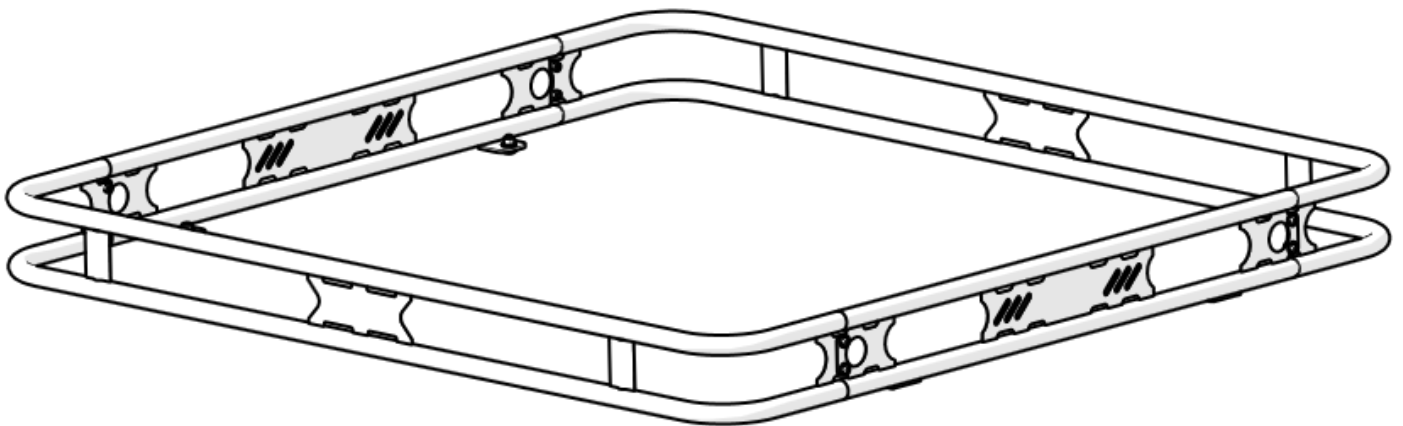




# Installation Guide

---



60227

---

Kargo Master Safari  
Rancho Cordova, CA 95742  
800-343-7486  
customerservice@kmsafari.com

---

---

**\*PLEASE READ ALL INSTRUCTIONS AND WARNINGS PRIOR TO ASSEMBLING,  
INSTALLING AND USING THIS PRODUCT\***

---

## **Warning**



Always check for wires, fuel tanks and lines, brake lines and other important vehicle functionality items prior to drilling and installing all products.

---

## **Tools Needed**

- 1/2" Socket and Wrench
- 

## **Table of Contents**

Parts List .....	3
Hardware List .....	4
Step 1 Surround Assembly .....	5
Step 2 Mounting to Lo-Pro .....	6

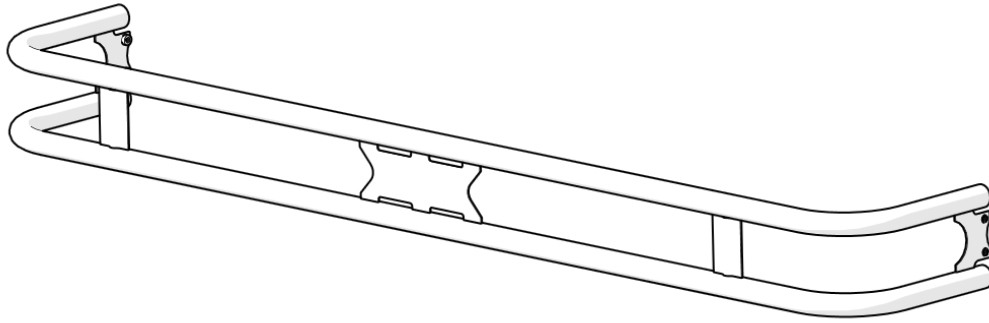
---

## **Before You Begin**

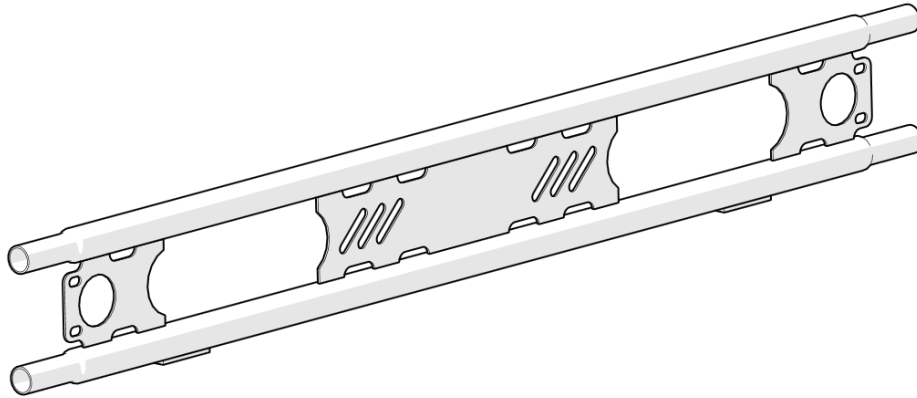
Be sure to have Lo-Pro platform built and installed on vehicle.

Do not tighten bolts until told to do so.

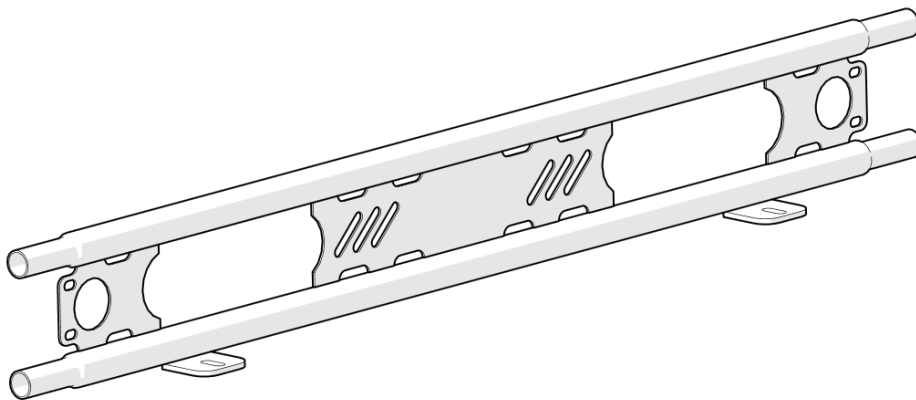
Snug to allow movement, Yet also stay together.



2x  
60227-30  
End Surround



60227-20  
D/S Surround



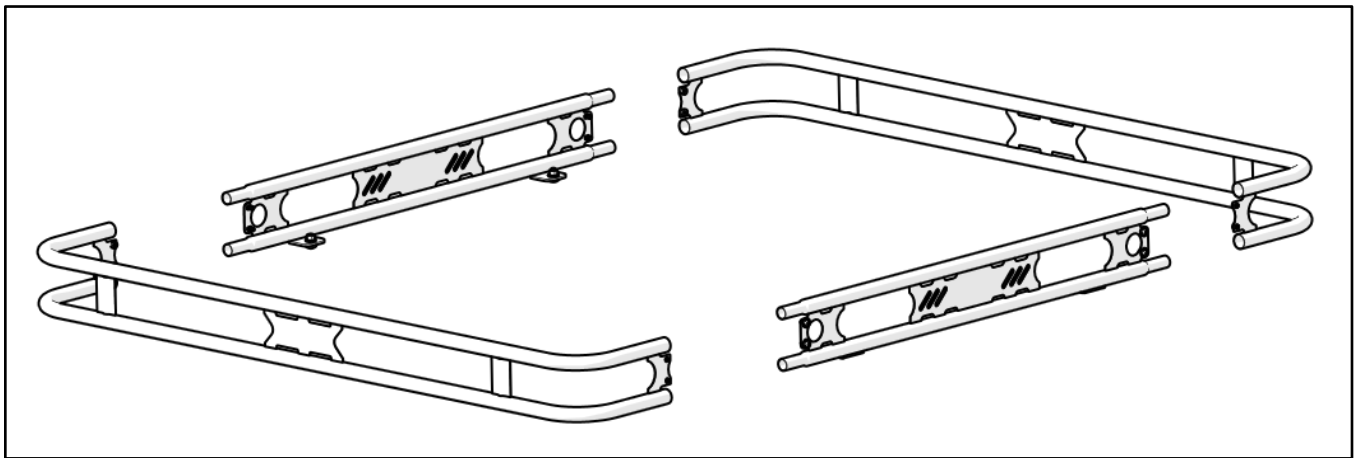
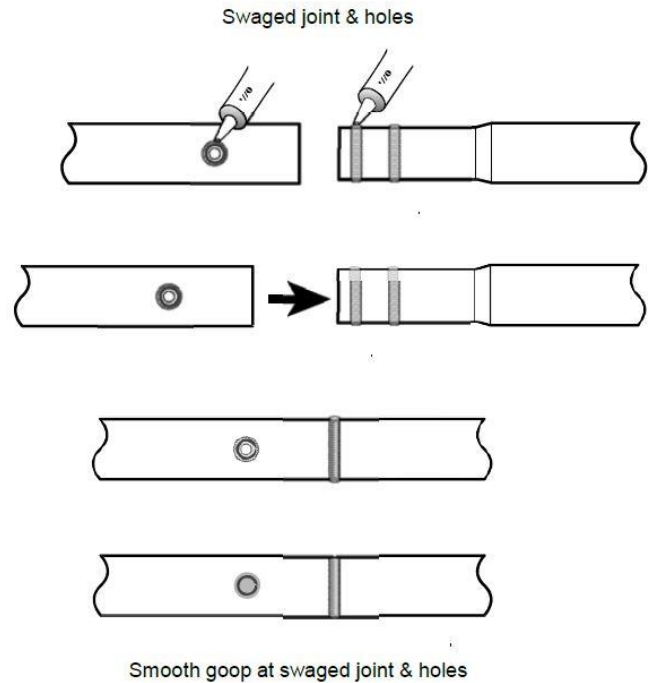
60227-20M  
P/S Surround

	PART NUMBER	Description	QTY.
	90185A581	5/16-18 x 3/4" Carriage bolt	4
	90126A030	5/16 Flat washer - SAE	4
	95615A160	5/16" NYLOC Nut	4
	90126A029	1/4" Flat Washer - SAE	8
	91306A375	1/4"-20 x 1/2" BHCS	8
	532 Allen Wrench	5/32" Allen Wrench	
	E6000		

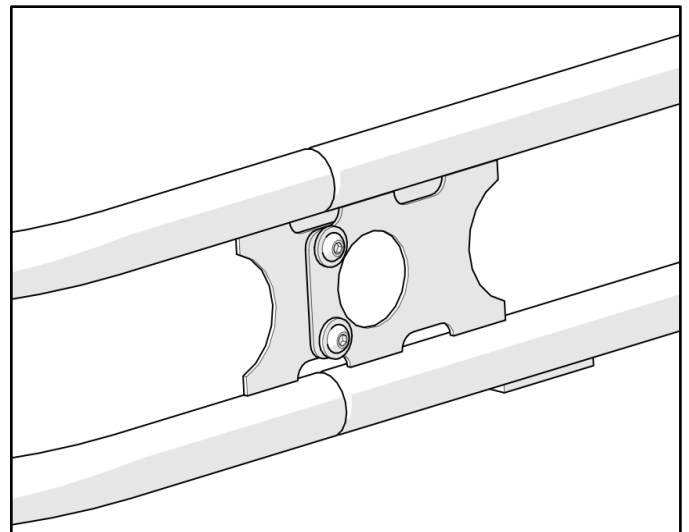
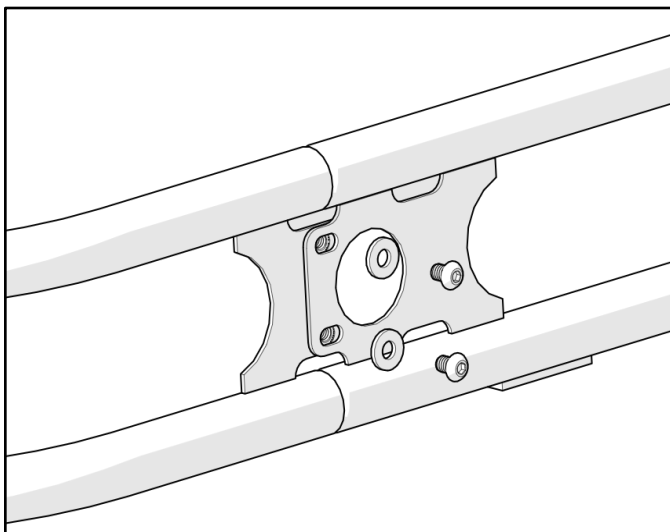
ALL HARDWARE TO SCALE

## Step 1 - Surround Assembly

- Apply E6000 to both ends of the passenger/driver side channel (60227-20/60227-20M).  
\*Bonding material will seal and bond joints for a rigid and water tight connection.
- Have the tabs of the side channels facing in towards the center of the surround.
- Insert swedge joints together

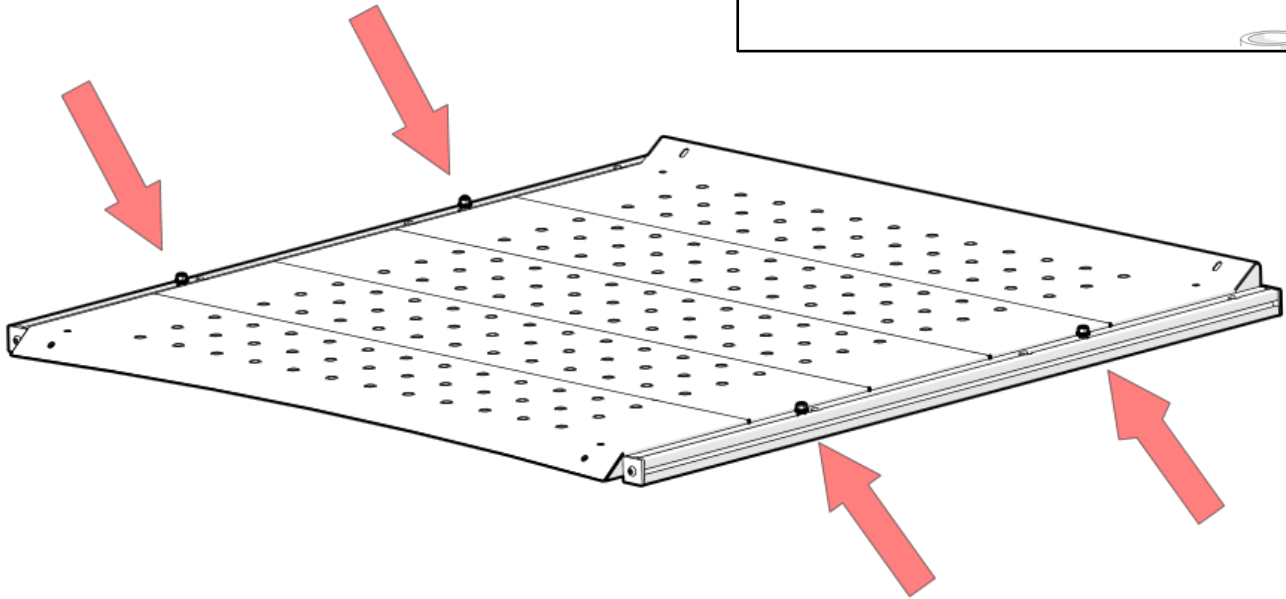
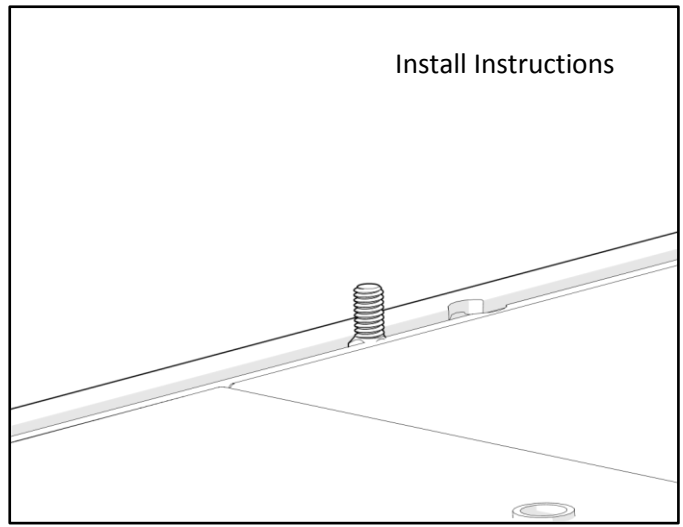


- Bolt swage plates together using two 1/4"-20 button heads and two 1/4" flat washers per corner.

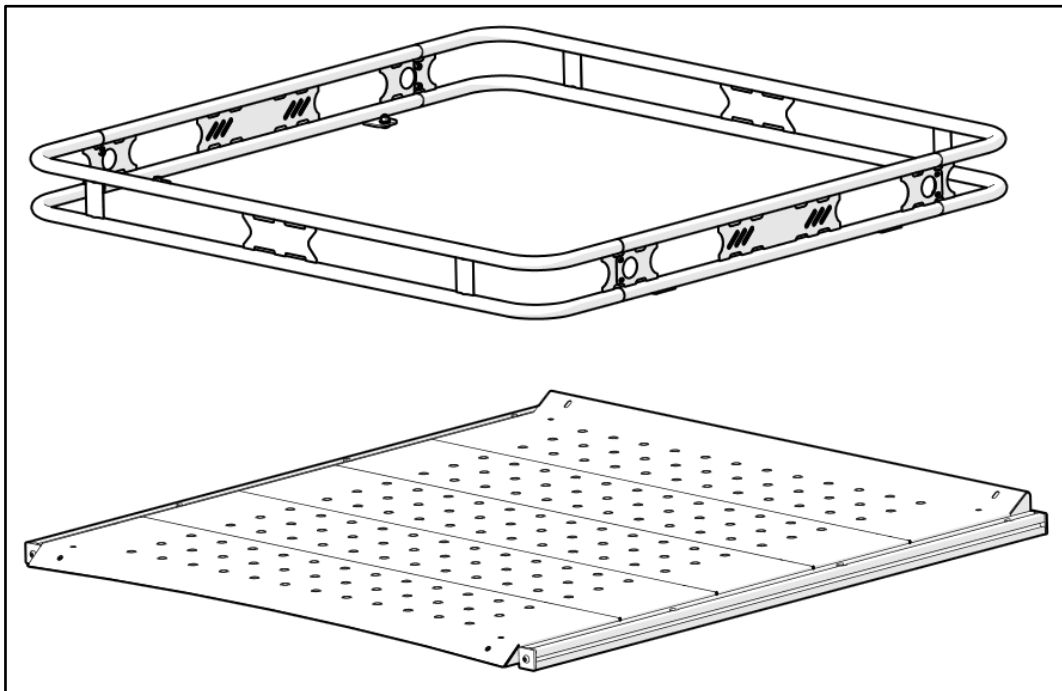


## Step 2 - Mounting to Lo-Pro

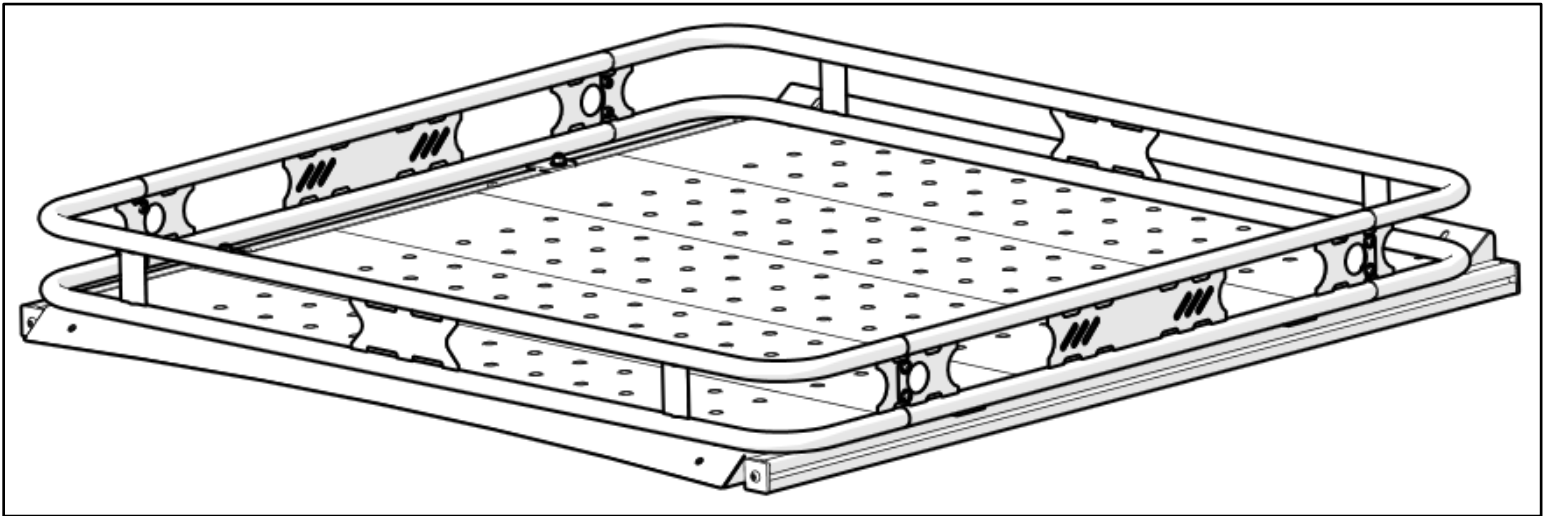
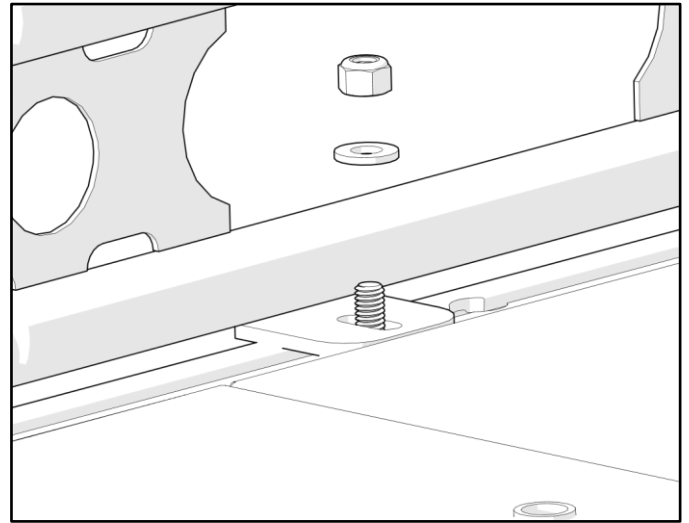
- On each extrusion of the Lo-Pro, place two carriage bolts approximately 23" apart with the thread of the carriage bolt sticking up past the extrusion. Drop carriage bolts through the circular cut out in the center of the extrusion.



- Place previously assembled surround on top of the Lo-Pro.



- Align slots in the tabs with the carriage bolts.
- Bolt surround (60227) to Lo-Pro using previously installed carriage bolts, 5/16" flat washers and 5/16"-18 Nyloc nuts.



Square and align your surround on the Lo-Pro.  
**TIGHTEN** all bolts

Your installation is now complete