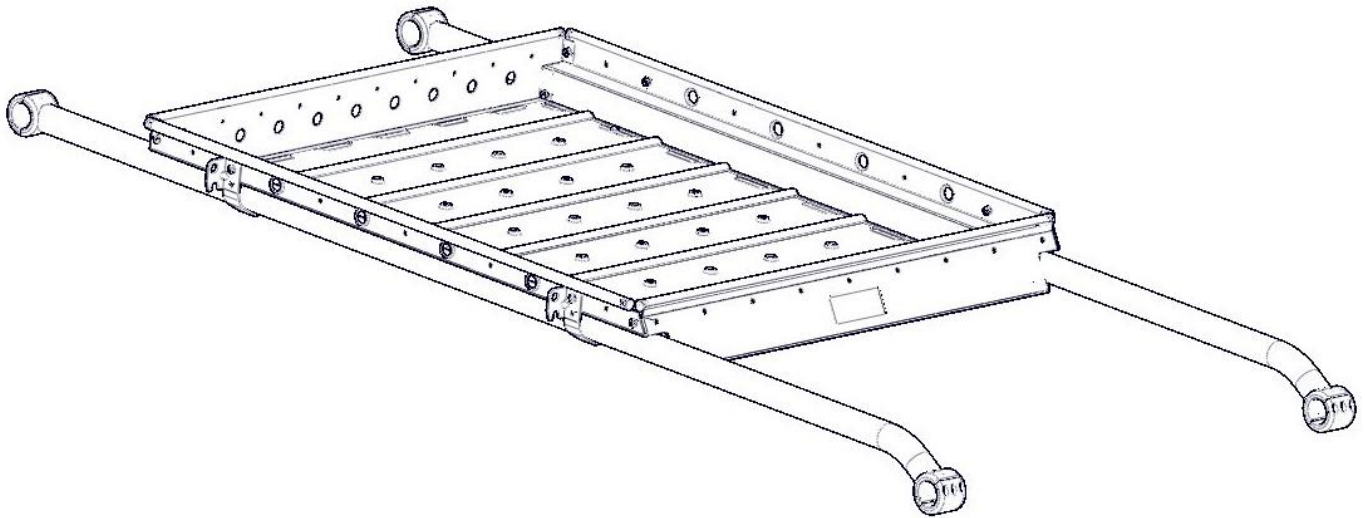




Installation Guide

60302



Kargo Master Safari
Rancho Cordova, CA 95742
800-343-7486
customerservice@kmsafari.com

***PLEASE READ ALL INSTRUCTIONS AND WARNINGS PRIOR TO ASSEMBLING,
INSTALLING, AND USING THIS PRODUCT***

Warning



Always check for wires, fuel tanks and lines, brake lines and other important vehicle functionality items prior to drilling and installing all products.

Tools Needed

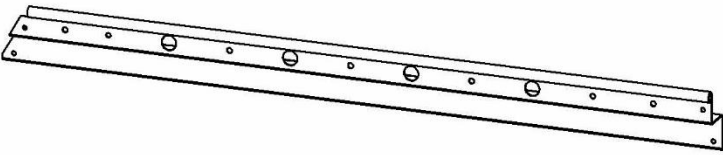
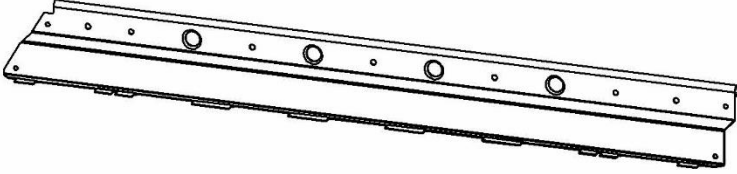
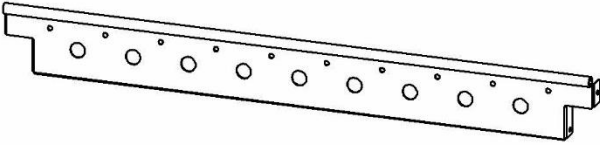
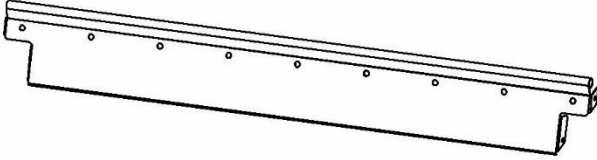
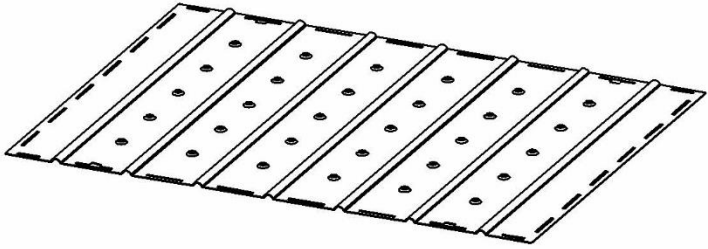


| | |
|-------------------------|--|
| • 5/32” Allen Wrench | |
| • 7/16” Open End Wrench | |

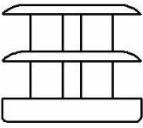
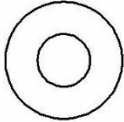
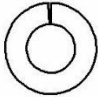
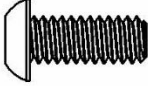


Table of Contents

Parts List2
 Hardware List3
 Step 1 Plug Installation4
 Step 2 Front and Side Assembly 4-5
 Step 3 JEEP Installation6

Before You Begin

- Be sure to have a Congo Pro or a Congo Sport installed on Vehicle.

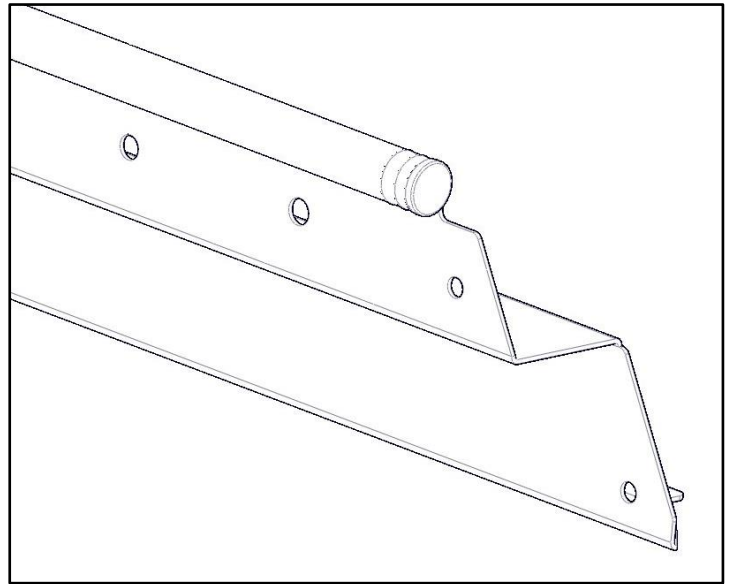
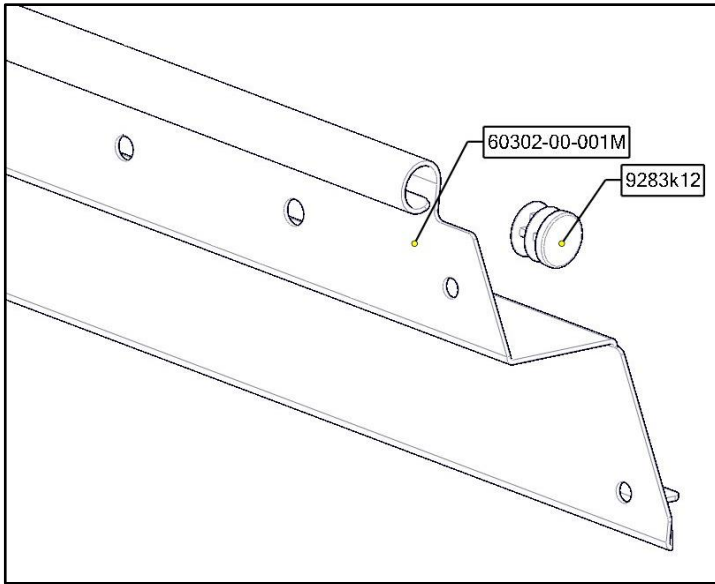
| | 60302 Parts | Part Number | QTY |
|---|---|---------------|-----|
| A |  | 60302-00-001 | 1 |
| B |  | 60302-00-001M | 1 |
| C |  | 60302-00-002 | 1 |
| D |  | 60302-00-003 | 1 |
| E |  | 60302-00-004 | 1 |
| F |  | 60302-10 | 2 |
| G |  | 60302-10M | 2 |

| | 18-60302 To Scale | PART NUMBER | Description | QTY. |
|---|---|-------------|--------------------------------|------|
| 1 |  | 9283k12 | Tube Plug - .75 OD_ .59-.70 ID | 8 |
| 2 |  | 90126A029 | 1/4" Flat Washer - SAE | 28 |
| 3 |  | 91102A750 | 1/4" Split Lock Washer | 4 |
| 4 |  | 91306A377 | 1/4"-20 x 5/8 BHCS | 8 |
| 5 |  | 91306A379 | 1/4-20 x .75 BHCS | 8 |
| 6 |  | 95615A120 | 1/4-20 Nyloc Nut | 12 |

Step 1 – Plug Installation

A.

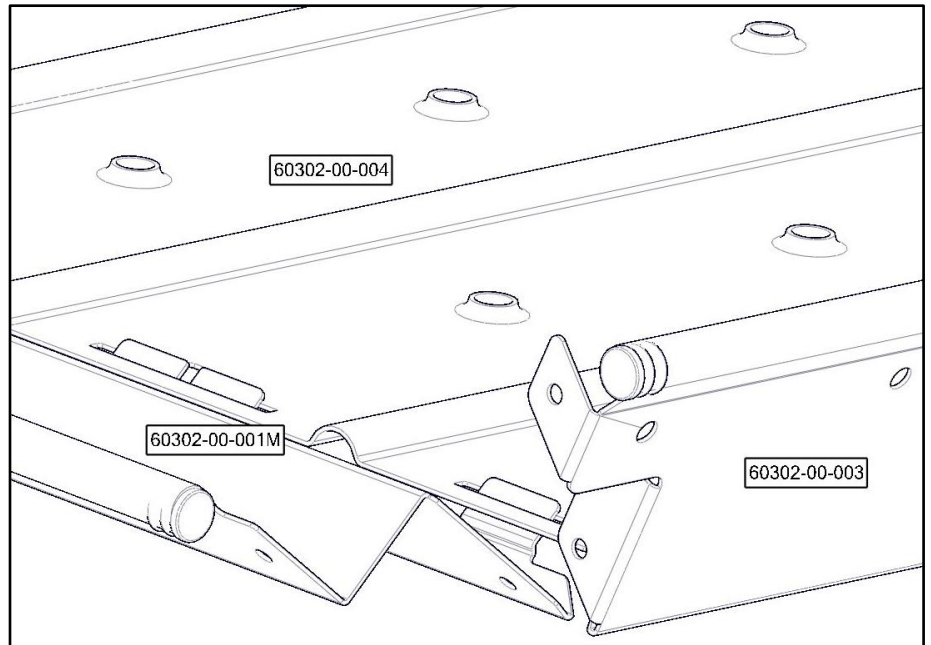
- Insert plugs (1) into each roll, at each end, of every panel.



Step 2 – Front and Side Assembly

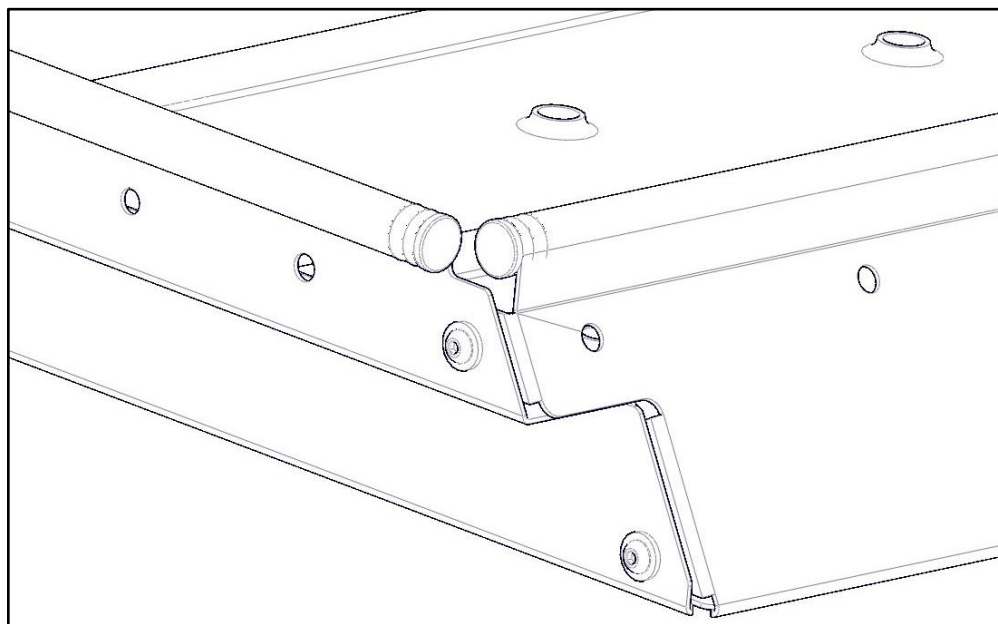
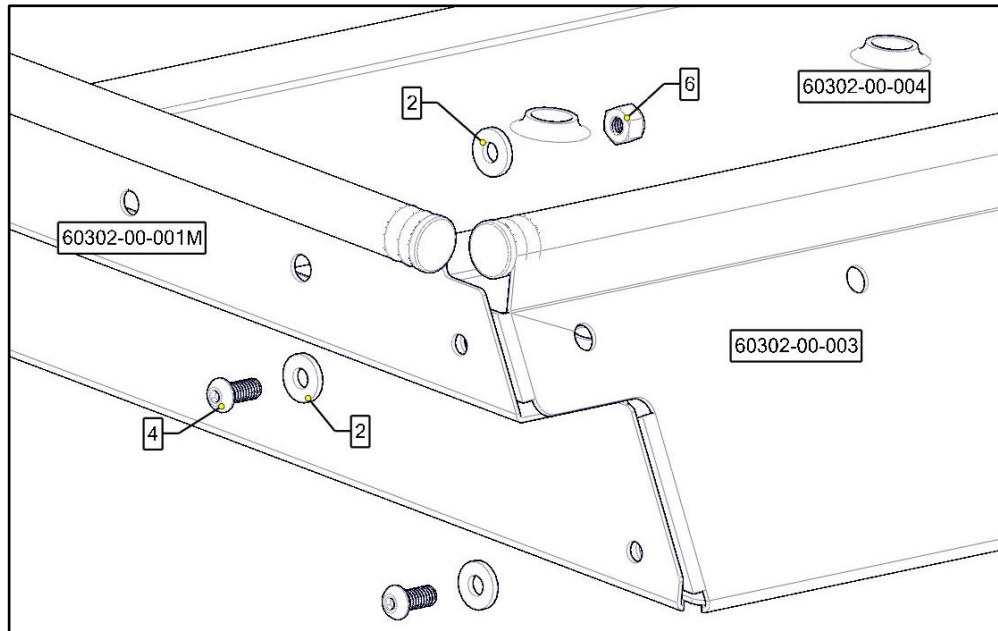
A.

- Grab floor (E) of basket.
Position it so the bumps in the floor are facing upward. Place front (D) into the slots of floor as shown.
- Repeat this with both sides (A&B) and the Rear (C).
- You may need to connect all sides simultaneously.
- DO NOT BOLT anything together until all sides are inserted into the floor.

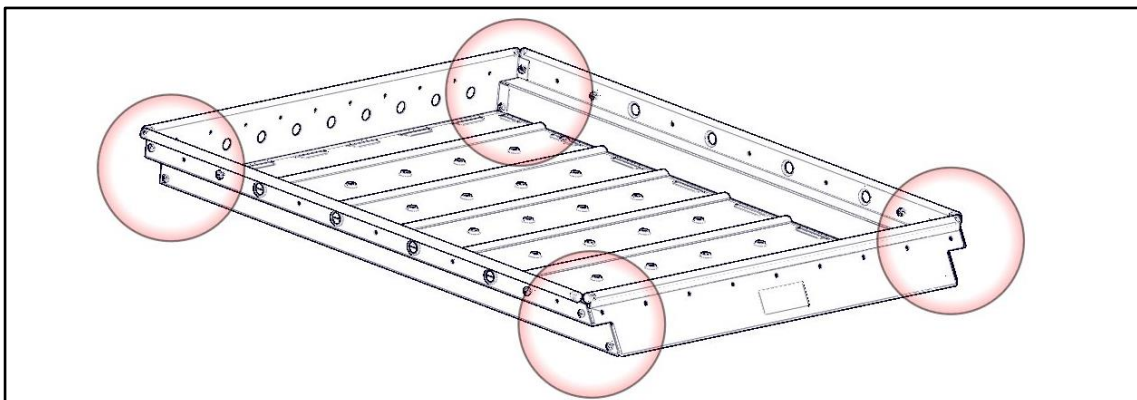


B.

- Through bolt both sides to front and rear panel using 1/4" x 5/8" BHCS (4), two 1/4" flat washers (2) and a 1/4"-20 nyloc nut(6). The bolts are the shorter of the two included in kit.



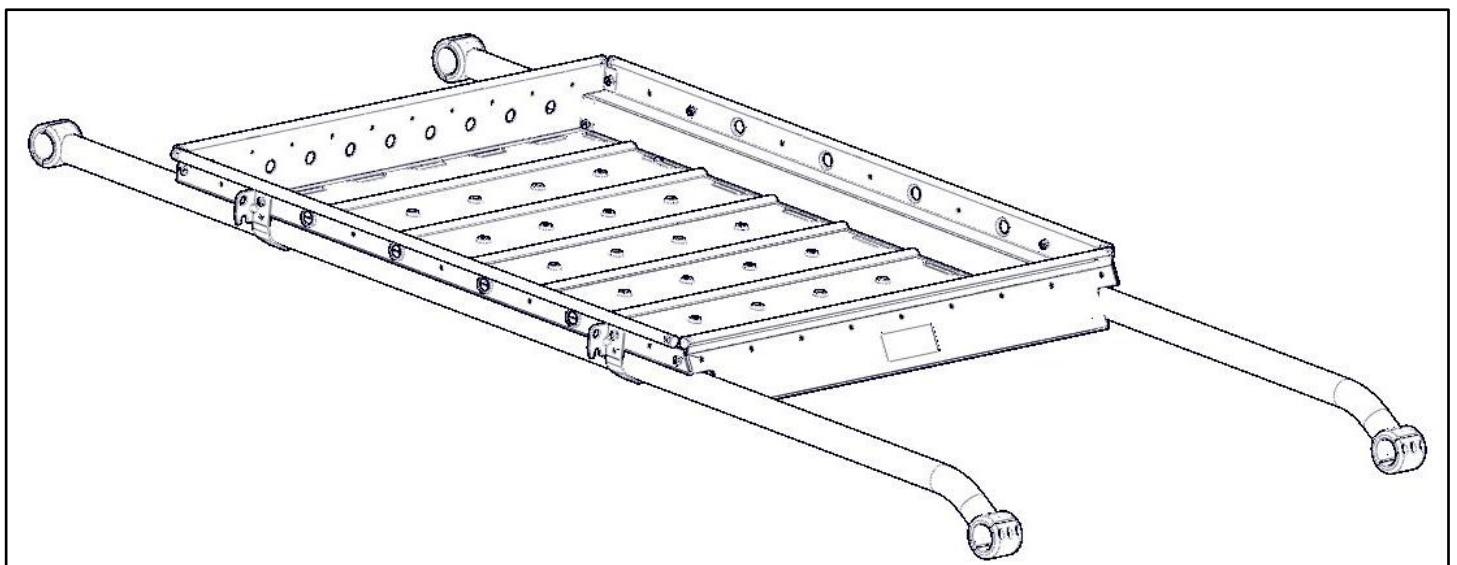
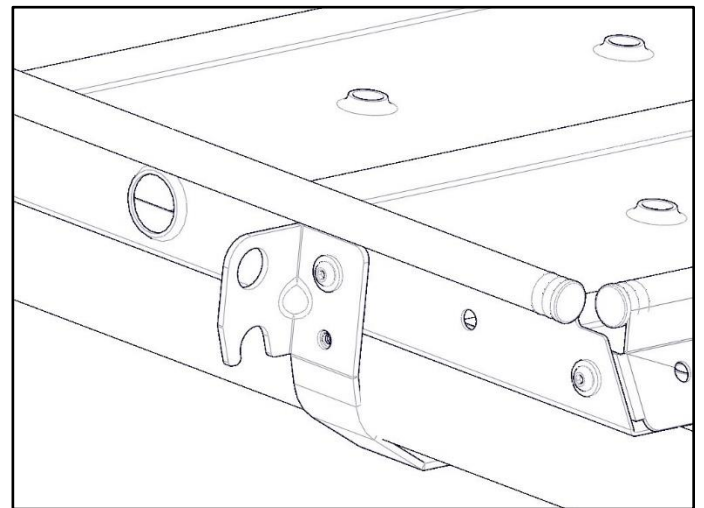
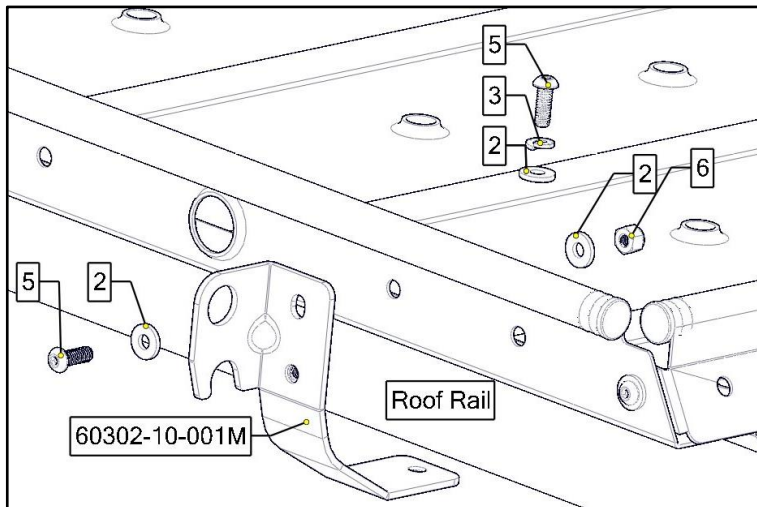
- Repeat in all 4 corners of basket. Align, Square and TIGHTEN



Step 3 – Installation on JEEP

A.

- Place assembled basket onto top of JEEP where the roof rails have been installed. If needed, adjust roof rails to allow the basket to sit in between, and on top of the roof rails.
- Bolt clamp (F&G) to the roof rails. On the side of the basket use a 1/4" x 3/4" SHCS (5), two flat washers (2) and a nyloc nut (6) in each location.
- On the inside of the basket, Bolt through the side panel, floor and into the pemnut in the clamp (F) using a 1/4" x 3/4" SHCS (5), a lock washer (3) and a flat washer (2).
- Orientation of clamp and be used on either side. The flange is towards the rear in this example.
- Repeat 3 more times to bolt in each corner of basket. Leave loose to allow movement along the roof rails. Square and Align basket to your liking and TIGHTEN.



Be sure all bolts are tight.

Your installation is now complete.