



www.skyjacker.com

2007 - 2017 Jeep JK Tailgate Saver Spare Tire Support Installation Instructions

REQUIRED TOOL LIST:

- Safety Glasses
- Metric & Standard Sockets / Wrenches
- 7/32" Hex Key Socket / Wrench
- Torque Wrench



Before beginning the installation, thoroughly & completely read these instructions & the enclosed driver's WARNING NOTICE. Affix the WARNING decal in the passenger compartment in clear view of all occupants. Please refer to the Parts List to insure that all parts & hardware are received prior to the disassembly of the vehicle. If any parts are found to be missing, contact SKYJACKER® Customer Service at 318-388-0816 to obtain the needed items. If you have any questions or reservations about installing this product, contact SKYJACKER® Technical Assistance at 318-388-0816.

Important Notes:

- This product is designed to be used with the OEM tailgate & an aftermarket offset spare tire adapter / spacer.
- This product is designed to be used with 33" - 37" diameter tires & wheels with 4" - 5.5" backspacing.

Component Box Breakdown:

Part #: TGSJK1

Item #	Description	Qty	Item #	Description	Qty
JKSTS-1	TAILGATE SAVER FRAME BRKT	1	HB-TGSJK1	HDWR BAG: TGSJK1	1
JKSTS-2A	TAILGATE SAVER "A" BRACKET	1	I-TGSJK1	INST SHEET: TGSJK1	1
JKSTS-2B	TAILGATE SAVER "B" BRACKET	1			

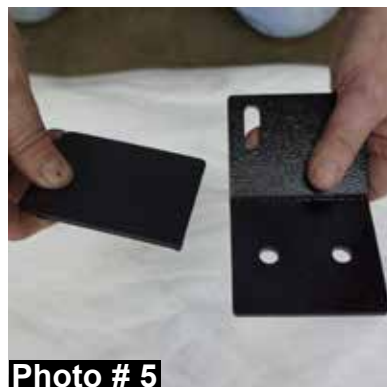
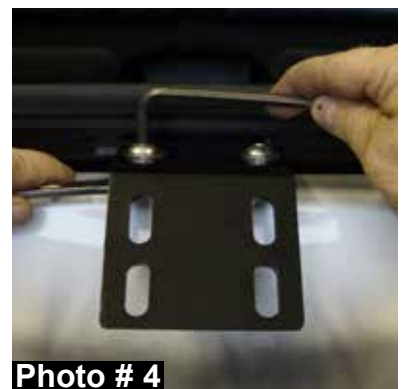
Hardware Breakdown:

Part # HB-TGSJK1

Item #	Description	Qty	Item #	Description	Qty
IN300D	WEAR PAD	1	12X412CTBG5	1/2 X 4 1/2 COARSE THRD BOLT	2
38X34SSBHB	3/8 X 3/4 SS BUT HEAD BOLT	4	12SAEW	1/2 SAE WASHER	4
38SSSAEW	3/8 STAINLESS SAE WASHER	4	12CTN	1/2 COARSE THREAD LOCK NUT	2
38FSCTN	3/8 FLG SERRATED CRSE NUT	4			

Installation:

1. With the vehicle on flat level ground, set the emergency brake, & block the rear tires / wheels.
2. Disconnect the OEM rear bumper from the frame (two bolts on both sides of the frame & the two tabs on the back of the rear bumper connecting it to the rear cross member) using a 16mm socket / wrench. (See Photo # 1) **Note:** Do not remove the OEM rear bumper, but allow it to carefully rest in place.
3. If equipped with an OEM center receiver hitch or tow hook, loosen the OEM bolts about a 1/2" using a 18mm socket / wrench. (See Photo # 2)
4. Install the new Skyjacker frame bracket (Part # JKSTS-1) to the frame using the supplied 1/2" x 4 1/2" coarse thread bolts, washers, & nuts using a 3/4" socket / wrench. Do not fully tighten at this time. (See Photo # 3) **Note:** If the vehicle is equipped with the OEM receiver hitch or tow hook, reuse the OEM 12mm bolts loosened in Step # 3 to install the new frame bracket (Part # JKSTS-1).
5. Connect the OEM rear bumper to the frame using the OEM hardware & a 16mm socket / wrench. (See Photo # 1)
6. Install the new Skyjacker bracket "A" (Part # JKSTS-2A) to the new Skyjacker frame bracket (Part # JKSTS-1) using the supplied 3/8" x 3/4" button head bolts, washers, nuts, & a 7/32 hex key socket / wrench, & a 9/16" socket / wrench. (See Photo # 4) The end of the new bracket "A" (Part # JKSTS-2A) with two slots connects to the new frame bracket (Part # JKSTS-1) & the end of the new bracket "A" (Part # JKSTS-2A) with four slots should point toward the ground. Do not fully tighten at this time. **Note:** Depending on tire size & wheel backspacing, this new bracket "A" can be installed above or below the new frame bracket. (See Photos # 7, # 8, # 9, & # 10)
7. Install the supplied wear pad to the new Skyjacker bracket "B" (Part # JKSTS-2B). (See Photo # 5)



8. Install the new Skyjacker bracket "B" (Part # JKSTS-2B) to the new bracket "A" (Part # JKSTS-2A) using the supplied 3/8" x 3/4" button head bolts, washers, nuts, & a 7/32 hex key socket / wrench, & a 9/16" socket / wrench. (See Photo # 6) Do not fully tighten at this time. **Note:** Depending on tire size & wheel backspacing, this new bracket "B" can be installed above or below the new bracket "A". (See Photos # 7, # 8, # 9, & # 10)



Photo # 6

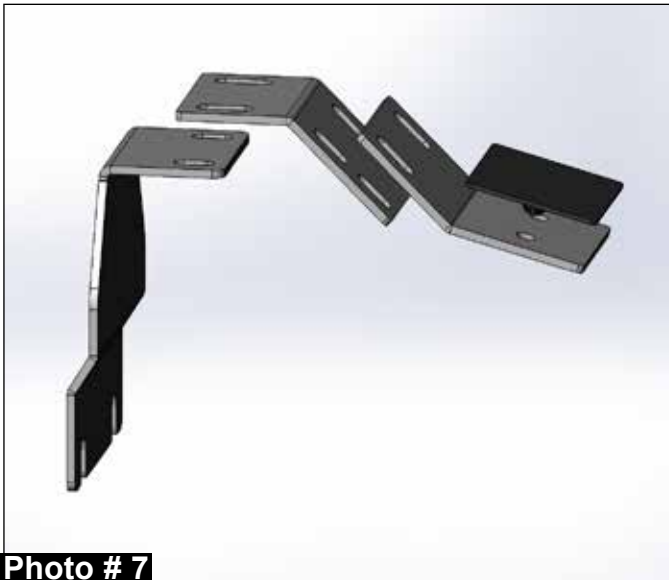


Photo # 7

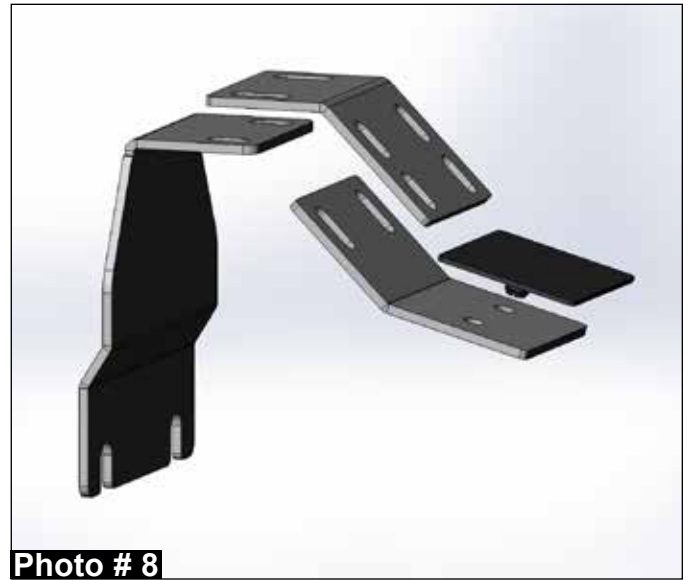


Photo # 8

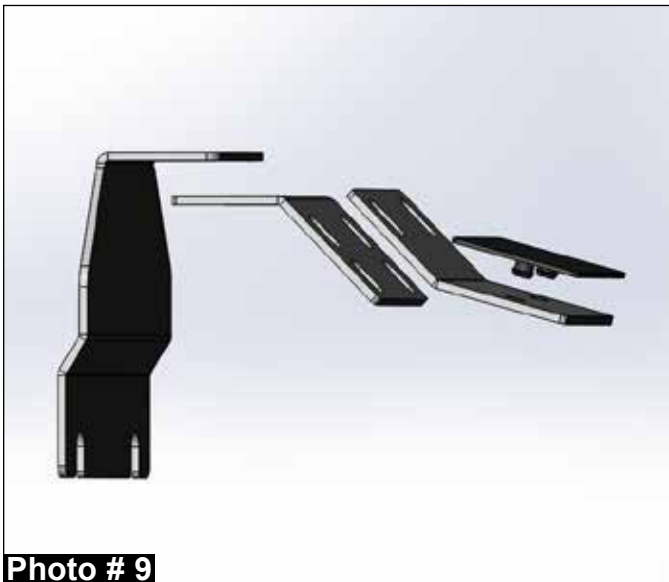


Photo # 9

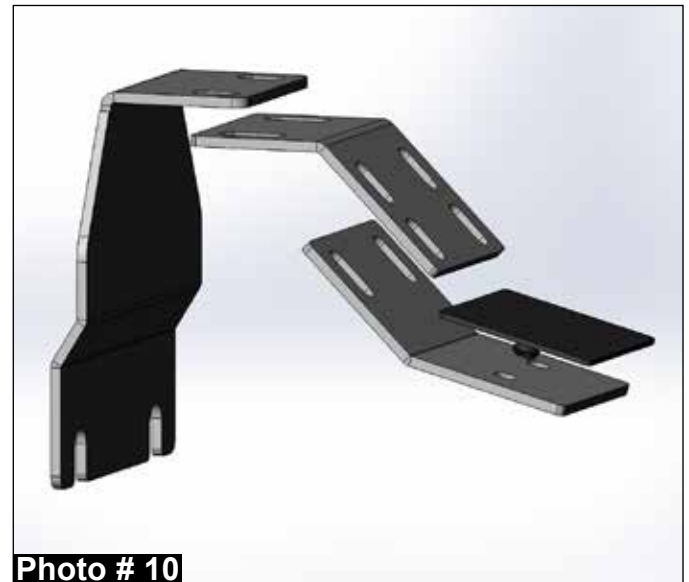
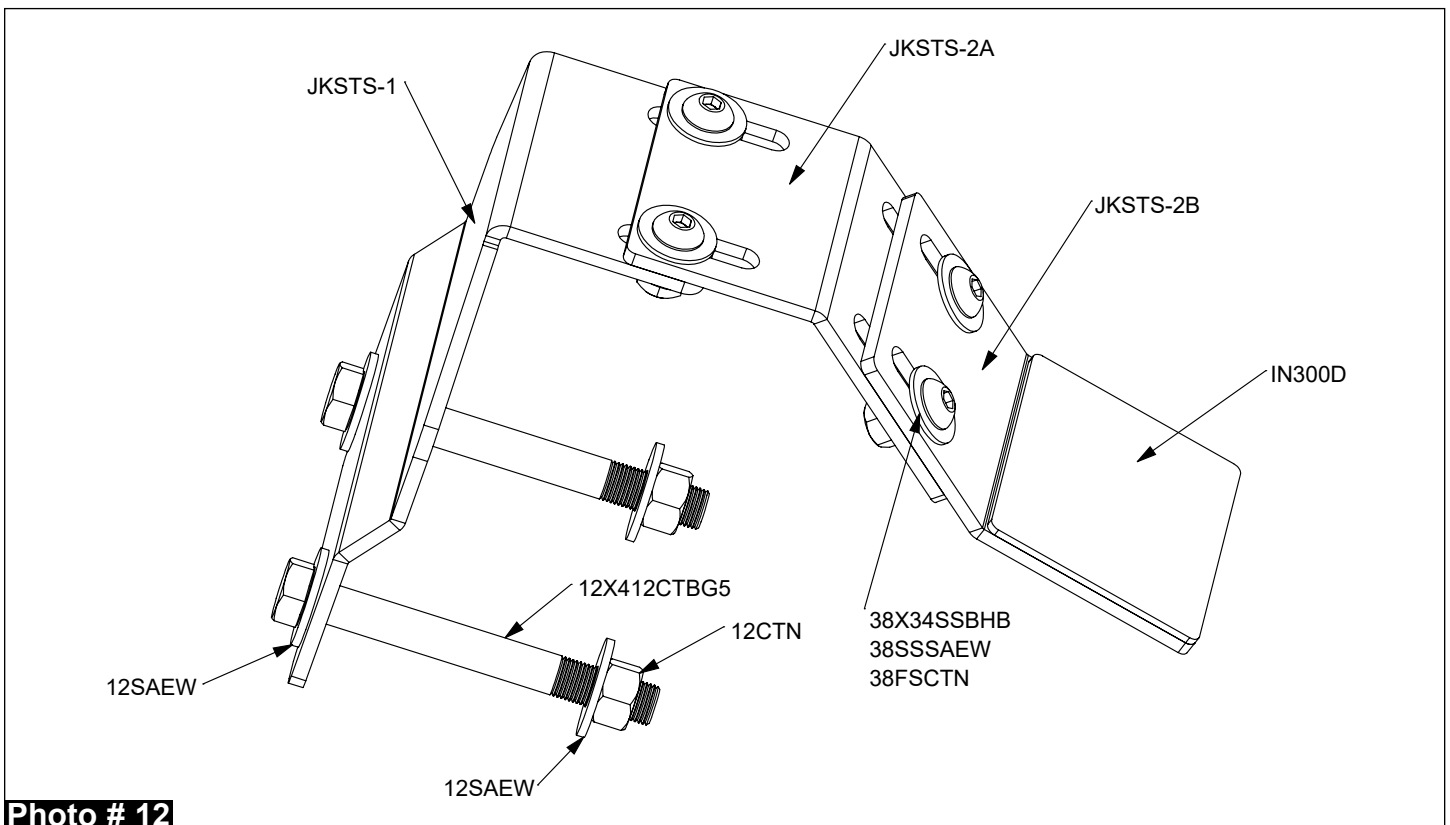


Photo # 10

9. Slowly rotate the OEM tailgate to the newly assembled tailgate support bracket until the tire makes contact with the wear pad on the new bracket "B" (Part # JKSTS-2B) just before completely closing. (See Photo # 11) **Note:** Adjust the slots & / or move the new brackets "A" (Part # JKSTS-2A) & "B" (Part # JKSTS-2B) above or below one another to achieve the proper fitment. (See Photos # 7, # 8, # 9, & # 10) Also, be sure the 3/8" bolts on the new frame bracket (Part # JKSTS-1) clear between the OEM tailgate & OEM bumper. The new frame bracket (Part # JKSTS-1) can be adjusted slightly upward if needed.



10. Fully tighten all hardware of the new Skyjacker tailgate saver spare tire support bracket using a 7/32" hex key socket / wrench, 9/16" socket / wrench, & 3/4" socket / wrench. (See Photo # 12)



Final Notes:

- After the installation is complete, double check that all nuts & bolts are tight. Refer to the following chart for the proper torque specifications. (Do not retighten any nuts & bolts where thread lock compound was used.)
- After the first 100 miles, check all hardware for the proper torque & periodically thereafter.

TORQUE SPECIFICATIONS

<u>INCH SYSTEM</u>			<u>METRIC SYSTEM</u>		
Bolt Size	Grade 5	Grade 8	Bolt Size	Class 8.8	Class 10.9
5/16	15 FT LB	20 FT LB	6MM	5 FT LB	9 FT LB
3/8	30 FT LB	35 FT LB	8MM	18 FT LB	23 FT LB
7/16	45 FT LB	60 FT LB	10MM	32 FT LB	45 FT LB
1/2	65 FT LB	90 FT LB	12MM	55 FT LB	75 FT LB
9/16	95 FT LB	130 FT LB	14MM	85 FT LB	120 FT LB
5/8	135 FT LB	175 FT LB	16MM	130 FT LB	165 FT LB
3/4	185 FT LB	280 FT LB	18MM	170 FT LB	240 FT LB

- The above specifications are not to be used when the bolt is being installed with a bushing.

Seat Belts Save Lives, Please Wear Your Seat Belt.



Jesus Christ Died For You.

John 3:16

For God so loved the world that He gave His only Son, so that everyone who believes in Him should not perish, but have everlasting life.
Romans 3:23

For all have sinned; all fall short of God's glorious standard.
Ephesians 2:8

God saved you by his special favor when you believed. And you can't take credit for this; it is a gift from God.
Psalms 18:2

The Lord is my Rock, my fortress, and my savior; my God is my Rock, in whom I find protection. He is my shield, the strength of my salvation, and my stronghold.
Romans 10:9-10

That if you shall confess with thy mouth the Lord Jesus, and shall believe in your heart that God hath raised him from the dead, you shall be saved. For with the heart man believeth unto righteousness; and with the mouth confession is made unto salvation.

Pray This Simple Prayer:

God, I come to You admitting I have sinned against You and I need you to take control of my life. The Bible says anyone who calls on the name of the Lord will be saved. I am calling on You, Jesus. I ask that You come live in my heart and be the Lord over my life today. I do believe You died on the cross for me and came back to life to give me life! Thank You, Lord Jesus for a new life in You!

Now, go and tell somebody about your new life in Jesus, get a Bible, begin to read it, and go to a Bible believing church.

If you would like someone to pray with you, call Kenneth Copeland Ministries anytime at 800-600-7395.

To listen to commercial free Christian radio on the web, go to www.887fm.org

Jesús murió por ti.

Juan 3:16

"Porque tanto amó Dios al mundo, que dio a su Hijo unigénito, para que todo el que cree en él no se pierda, sino que tenga vida eterna."
Romanos 3:23

"Pues todos han pecado y están privados de la gloria de Dios."
Efesios 2:8

"Porque por gracia ustedes han sido salvados mediante la fe; esto no procede de ustedes, sino que es el regalo de Dios."
Salmos 18:2

"El Señor es mi roca, mi amparo, mi libertador; es mi Dios, el peñasco en que me refugio. Es mi escudo, el poder que me salva, ¡mi más alto escondite!"
Romanos 10:9-10

"9 Que si confi esas con tu boca que Jesús es el Señor, y crees en tu corazón que Dios lo levantó de entre los muertos, serás salvo. 10 Porque con el corazón se cree para ser justificado, pero con la boca se confiesa para ser salvo."

Ahora di esta simple oración:

Dios, vengo a Ti y admito que he pecado contra Ti, necesito que tomes el control de mi vida. La Biblia dice que todo aquel que invoca el nombre del Señor escapará con vida. En este momento yo clamo ante Ti, Jesús; te pido que vengas a vivir en mi corazón y que tomes el control de mi vida. ¡Yo creo que tu moriste en la cruz y resucitaste para darme vida! ¡Gracias Señor Jesús, por una nueva vida que tengo en Ti! Amen.

Ahora ve y dile a alguien sobre la nueva vida que tienes en Cristo. Compra una Biblia y empieza a leerla. Busca una Iglesia que cree en la Biblia y hazte parte de esa Iglesia.

Si te gustaría orar con alguien, puedes llamar a este número 800-600-7395

Puedes ir a este sitio de Internet para escuchar música Cristiana sin anuncios, www.887fm.org

Check out our favorite ministries at:
www.inministries.org
www.familychurch.org
www.kcm.org

