

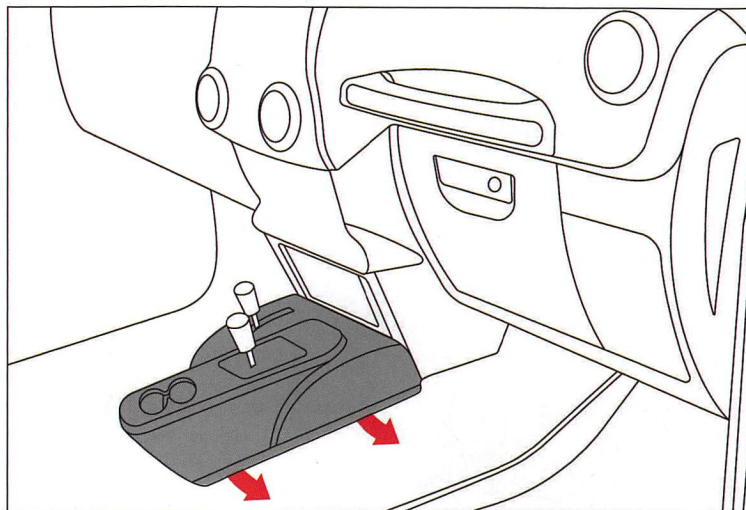


OMIX-ADA, Inc.

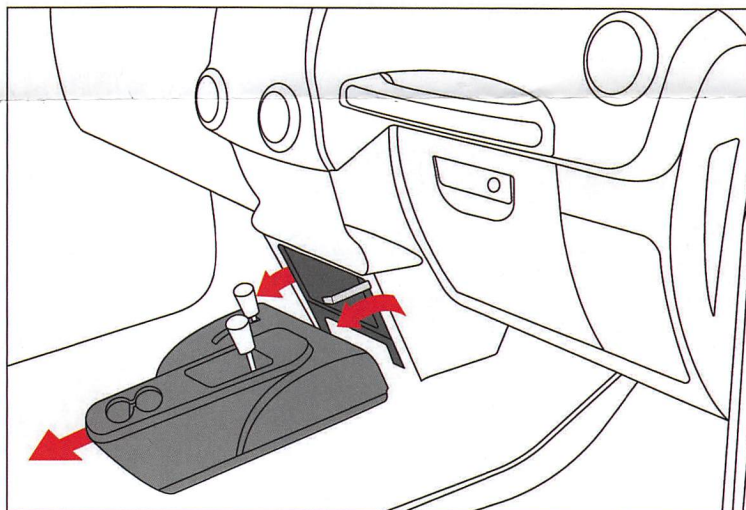
460 HORIZON DR. SUITE 400 | SUWANEE, GA 30024 | PHONE: 770-614-6101 | FAX: 770-614-6069 | info@omix-ada.com

Lower Switch Panel; 2011+ JK/JKU

4. Remove center console cover by gently pulling out along bottom edges to release retaining clips.

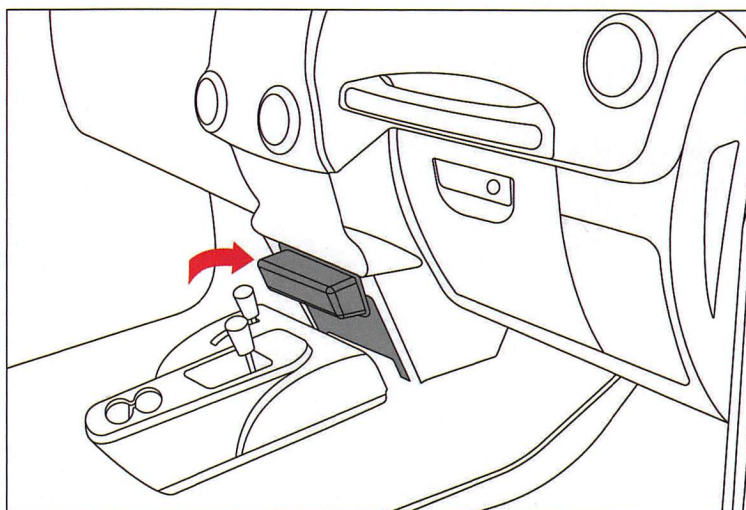


5. Slide center console cover backwards and remove lower console panel by gently prying off with a plastic trim tool.



6. Remove red backing on tape and install Lower Switch Panel. Ensure all clips engage, apply pressure to tape area, and hold for 30 seconds. Reinstall center console cover.

FOR AUTO TRANS: Put transmission in PARK. Turn key to OFF position.





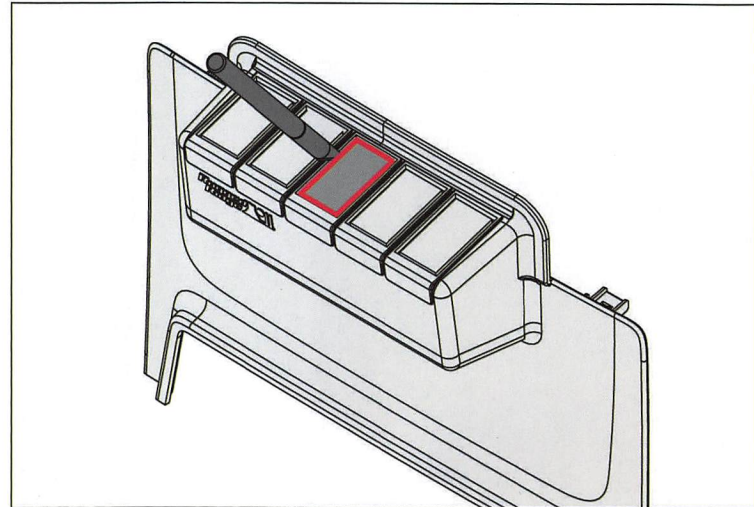
OMIX-ADA, Inc.

460 HORIZON DR. SUITE 400 | SUWANEE, GA 30024 | PHONE: 770-614-6101 | FAX: 770-614-6069 | info@omix-ada.com

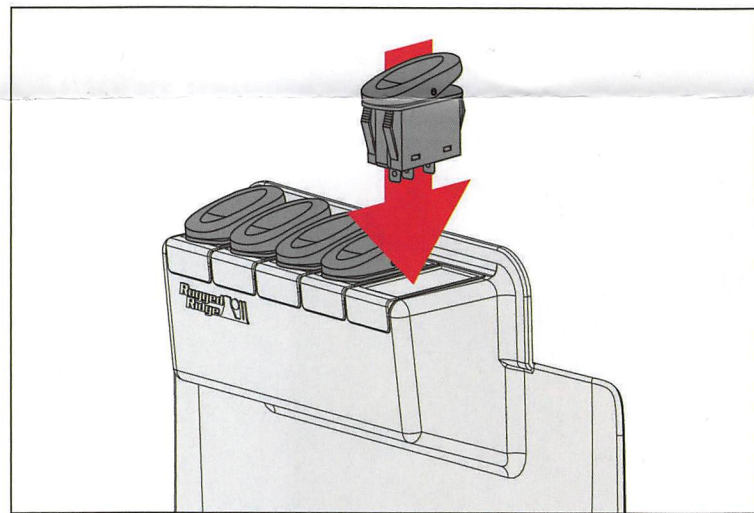
Lower Switch Panel; 2011+ JK/JKU

1. Using a hobby knife with a sharp blade, cut outer edge of switch pockets. Test fit switch in each pocket. Trim accordingly.

CAUTION Cutting/Sharp Edge Hazard: Sharp blade. Handle with care. Cut slowly to ensure best possible fitment.

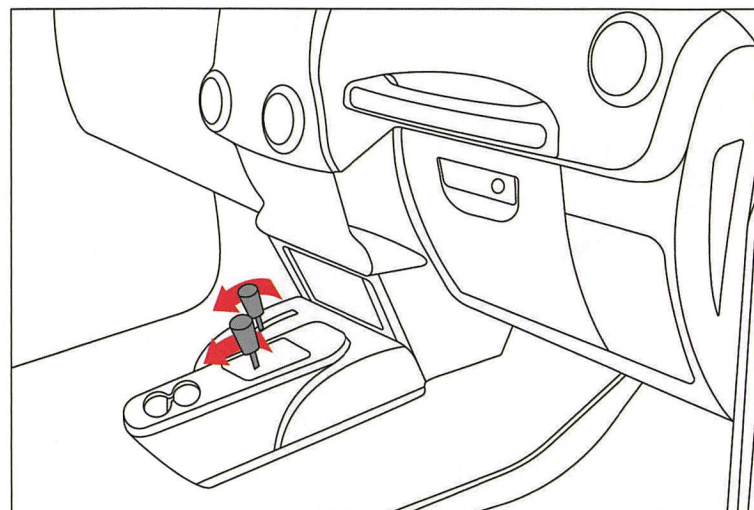


2. Wire switches to desired output and install in Lower Switch Panel.



3. **FOR AUTO TRANS:** With vehicle in 4L, fully engage emergency brake, turn key to RUN position, and put transmission in NEUTRAL.

FOR MANUAL TRANS: With vehicle in 4L, fully engage emergency brake and put transmission in 4th gear.





OMIX-ADA, Inc.

460 HORIZON DR. SUITE 400 | SUWANEE, GA 30024 | PHONE: 770-614-6101 | FAX: 770-614-6069 | info@omix-ada.com

Part # 17235.54
17235.84

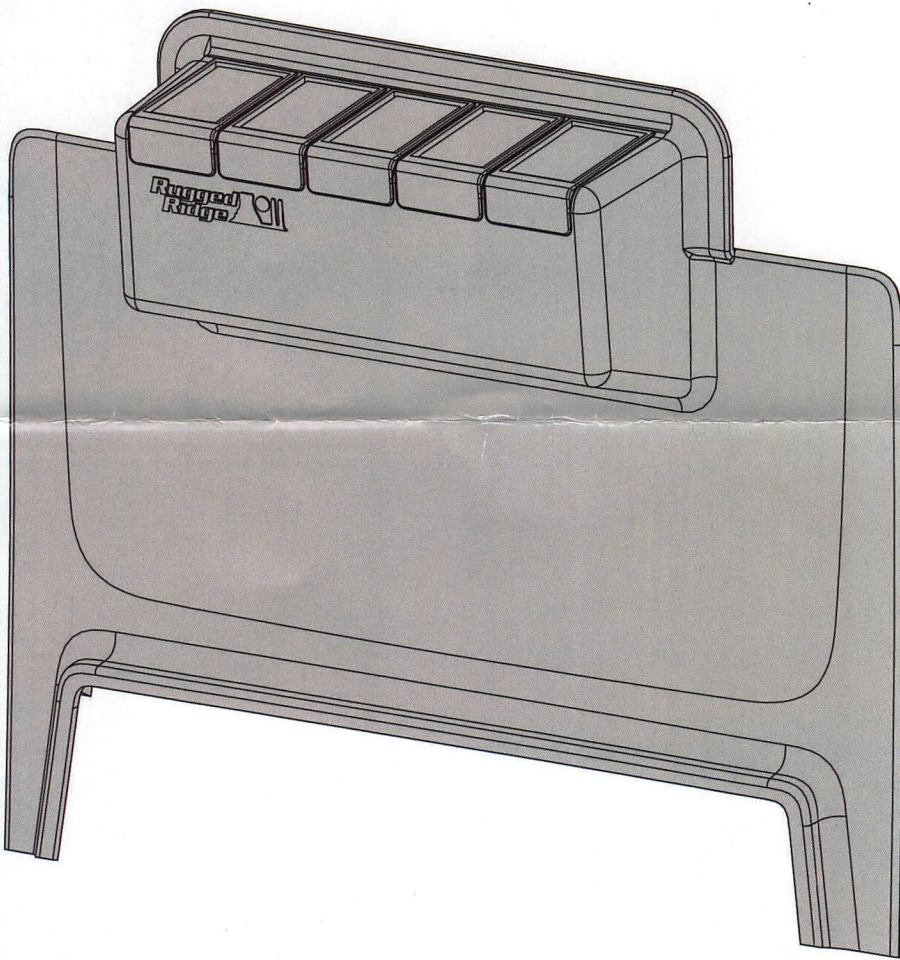
Lower Switch Panel; 2011+ JK/JKU

CONTENTS:

- Lower Switch Panel (1)

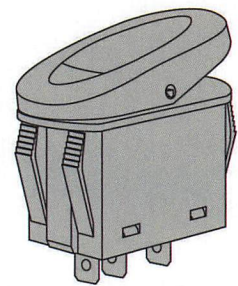
TOOLS REQUIRED:

- Hobby Knife
- Plastic Trim Tool



Lower Switch Panel x 1

Included with 17235.84 only



Rocker Switch x 5

CAUTION

A hazardous situation which, if not avoided, could result in minor or moderate injury. **You can be moderately hurt and may also suffer property damage if you do not follow instructions.**

OMIX-ADA® TECHNICAL SUPPORT

PHONE: M-F 8am - 5pm EST 1-800-449-6649 | EMAIL: techsupport@omix-ada.com

FOR WARRANTY INFORMATION VISIT: www.Omix-Ada.com