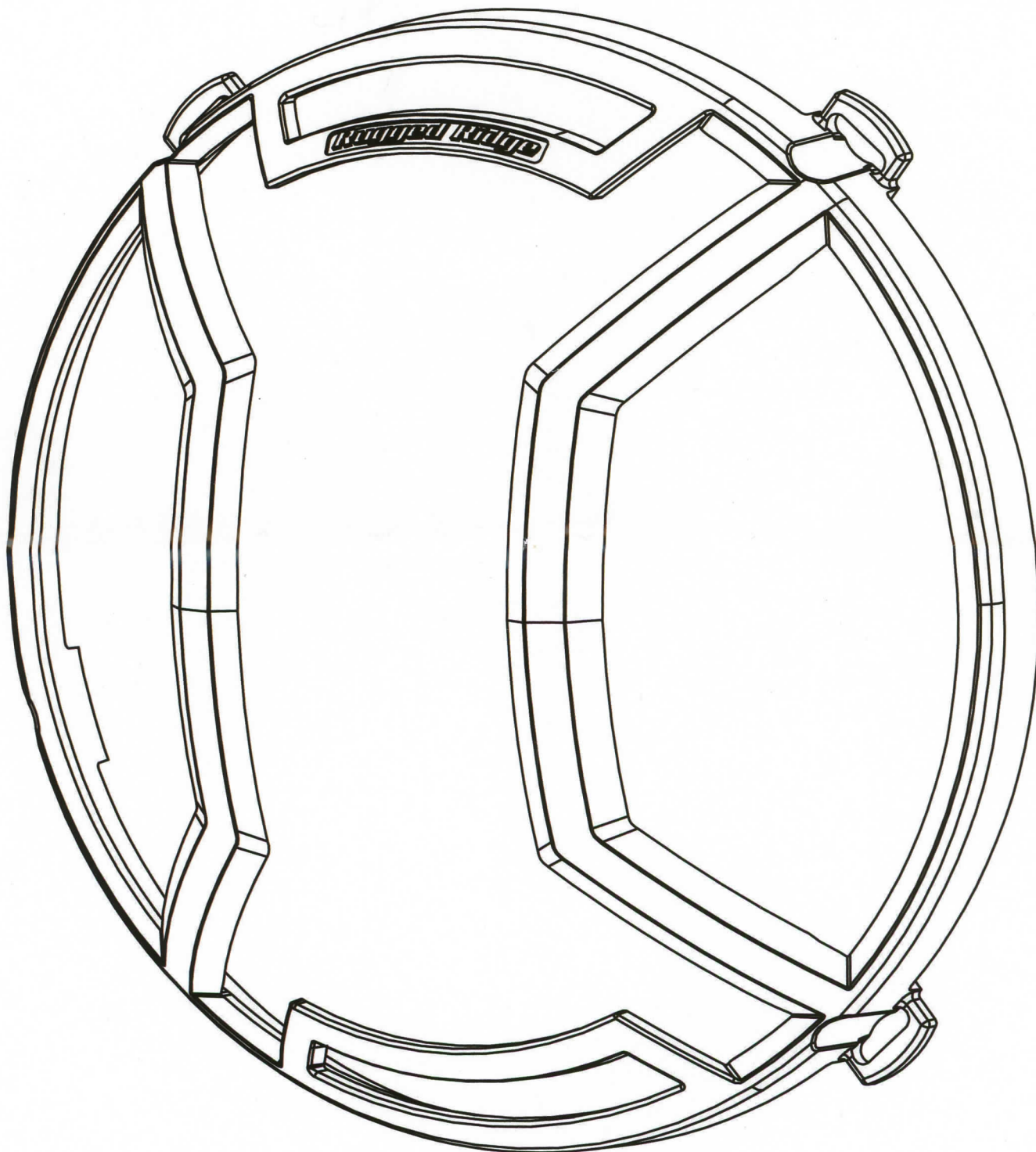




460 HORIZON DR. SUITE 100 | SUWANEE, GA 30024 | PHONE: 770-614-6101 | FAX: 770-614-6069 | info@omix-ada.com

Rugged Ridge Elite Headlight Guard

PATENT PENDING



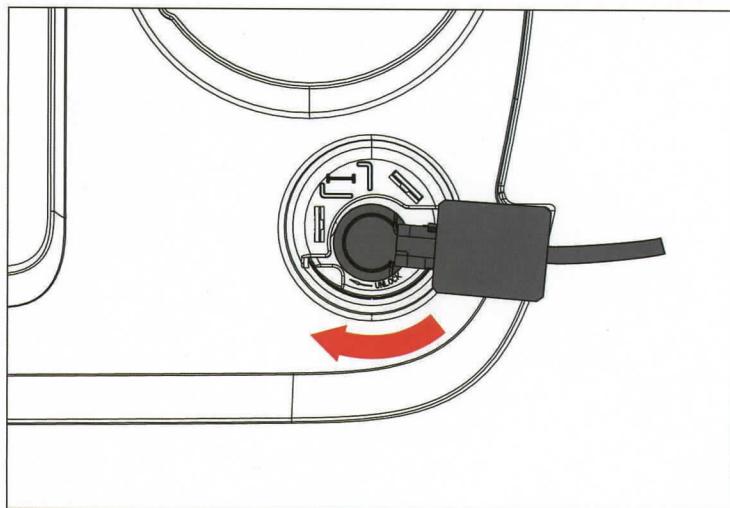
OMIX-ADA® TECHNICAL SUPPORT

PHONE: M-F 8am - 5pm EST 1-800-449-6649 | EMAIL: techsupport@omix-ada.com

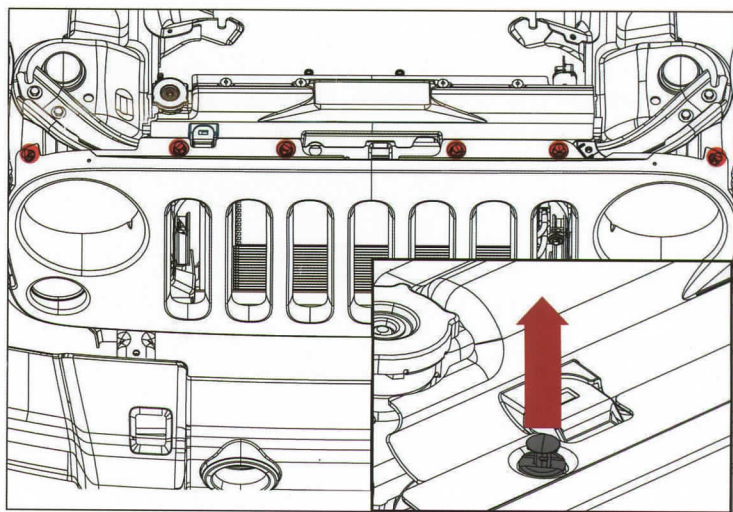
FOR WARRANTY INFORMATION VISIT: www.Omix-Ada.com

Rugged Ridge Elite Headlight Guard

1. Disconnect factory turn signal from behind the grille. Rotate factory turn signal bulb assembly down and towards middle of vehicle. Pull the bulb assembly out of light housing.

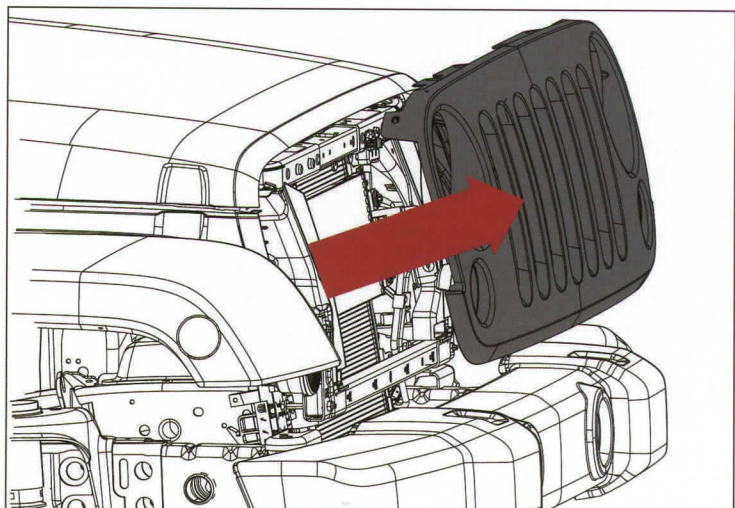


2. Raise hood and remove (6) plastic fasteners on top of grille. First pull up on center pin, then pull up on entire plastic retainer assembly. (These will be reused in later steps)



3. Pull bottom of grille away from vehicle to disengage metal clips on bottom rear of grille. Remove factory grille from vehicle.

Note: It may be necessary to remove winch or other bumper mounted accessories prior to removing factory grille.





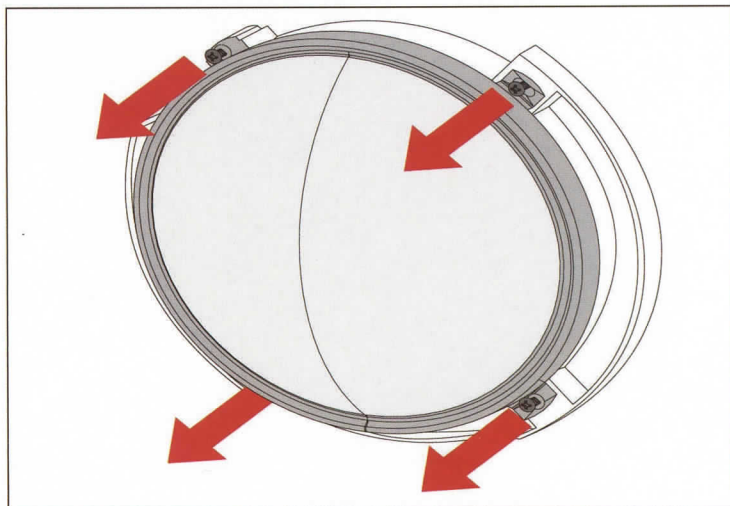
OMIX-ADA, Inc.



460 HORIZON DR. SUITE 100 | SUWANEE, GA 30024 | PHONE: 770-614-6101 | FAX: 770-614-6069 | info@omix-ada.com

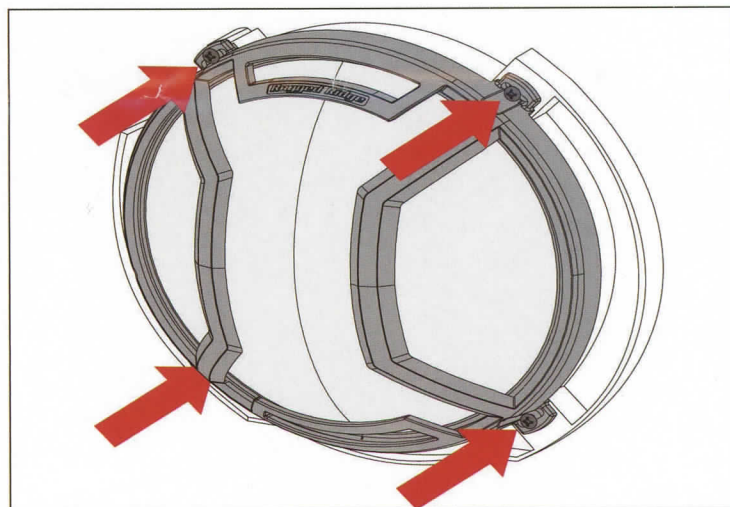
Rugged Ridge Elite Headlight Guard

4. Remove factory Headlight Retainer Ring using a T15 screwdriver or socket. Do not discard screws as they will be reused.



5. Using removed OE screws, install Elite Headlight Guard using T15 screwdriver or socket.

Note: Elite Headlight Guards will work for both left and right side.



6. Reinstall grille and turn signal, see steps 1 through step 4.

