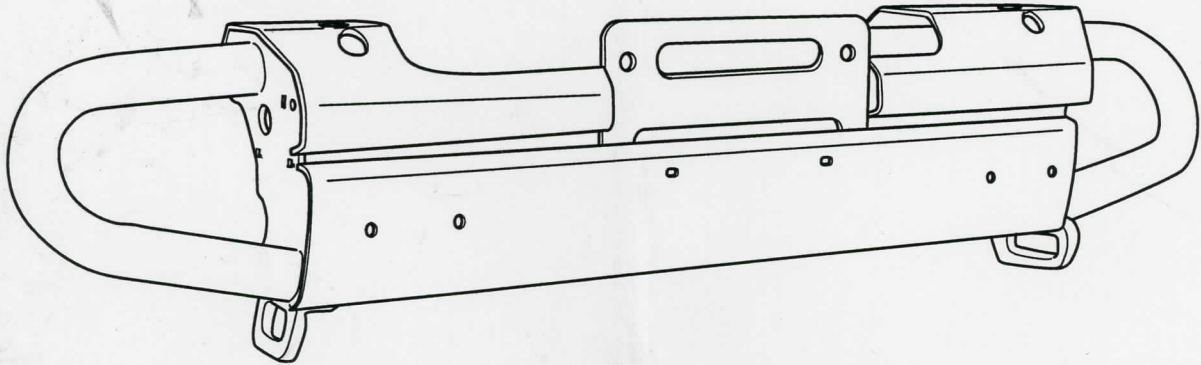


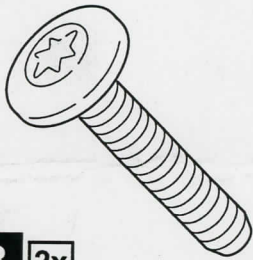


JEEP WRANGLER

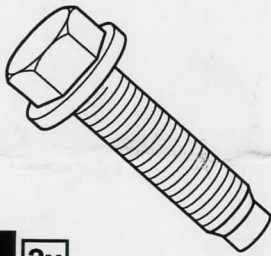
Bumper Kit - Front



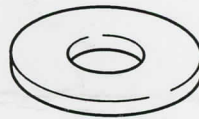
A



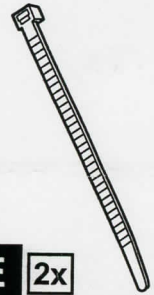
B 2x



C 2x



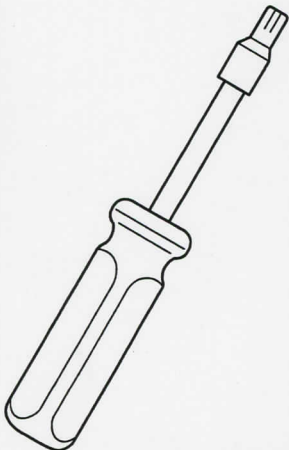
D 2x



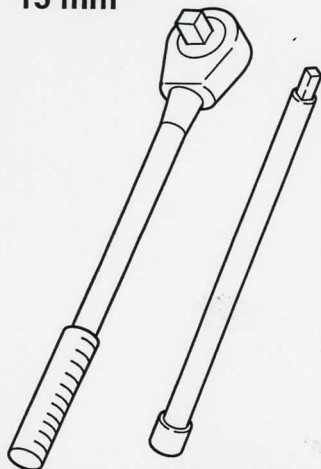
E 2x



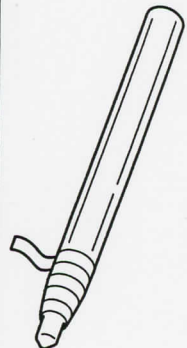
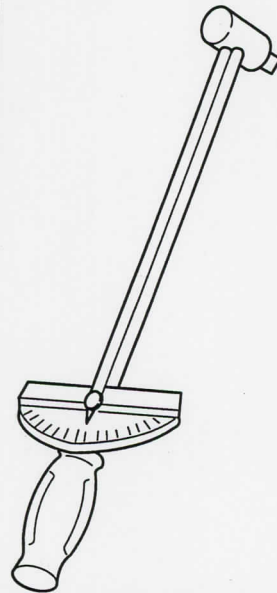
T15



10 mm
13 mm
15 mm



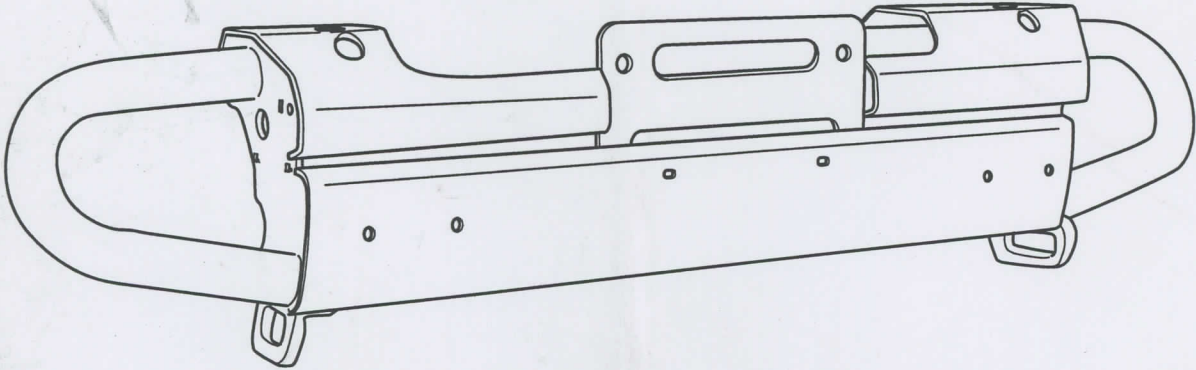
T55



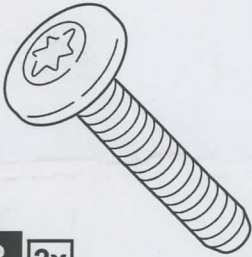


JEEP WRANGLER

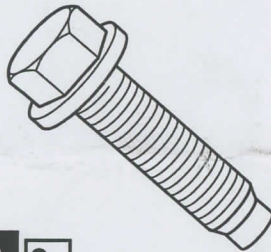
Bumper Kit - Front



A



B 2x



C 2x



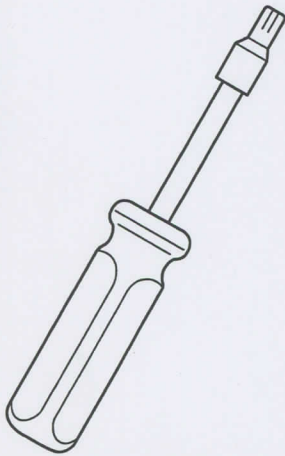
D 2x



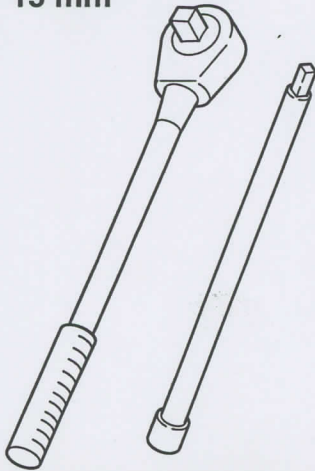
E 2x



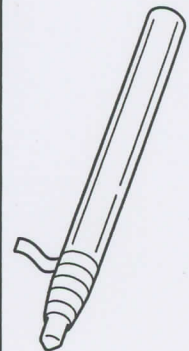
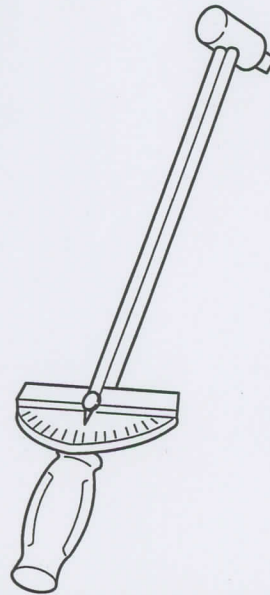
T15

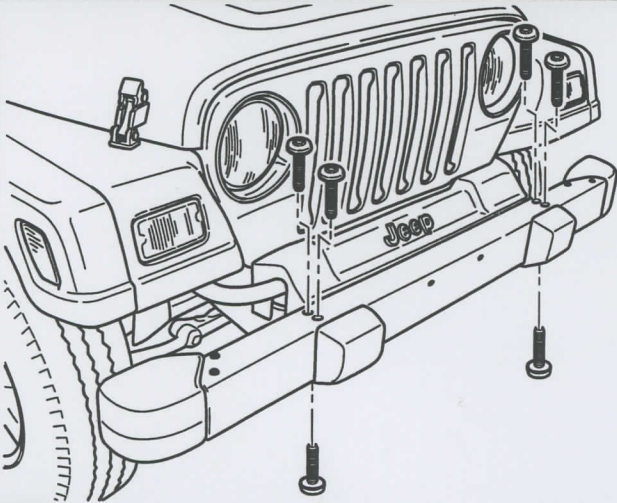


**10 mm
13 mm
15 mm**

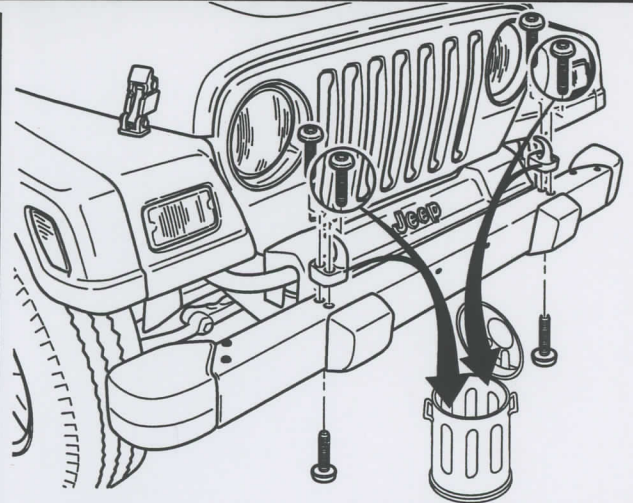


T55

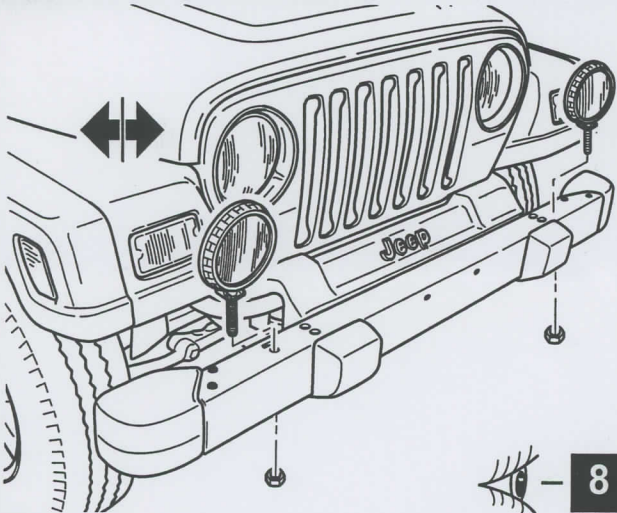




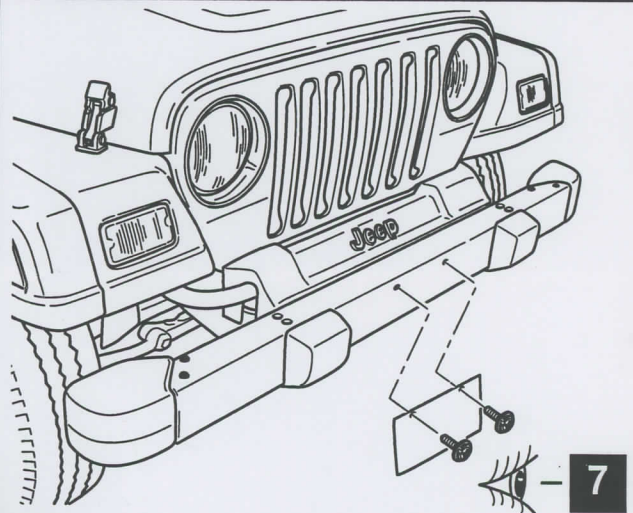
1 Remove 6 Torx Bolts (without tow hooks).



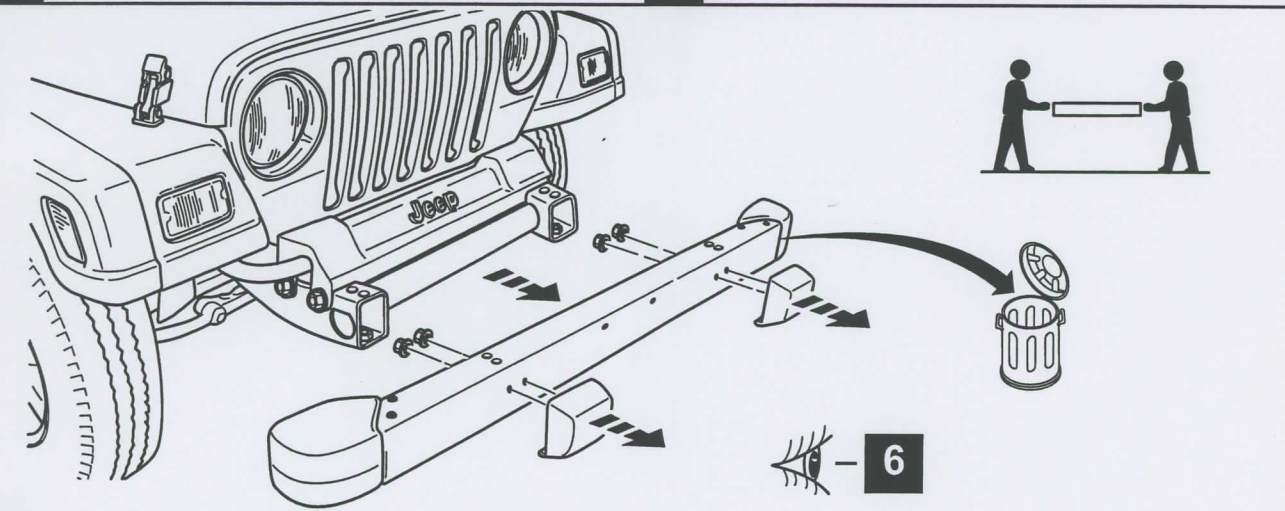
Remove 6 Torx Bolts (with tow hooks).



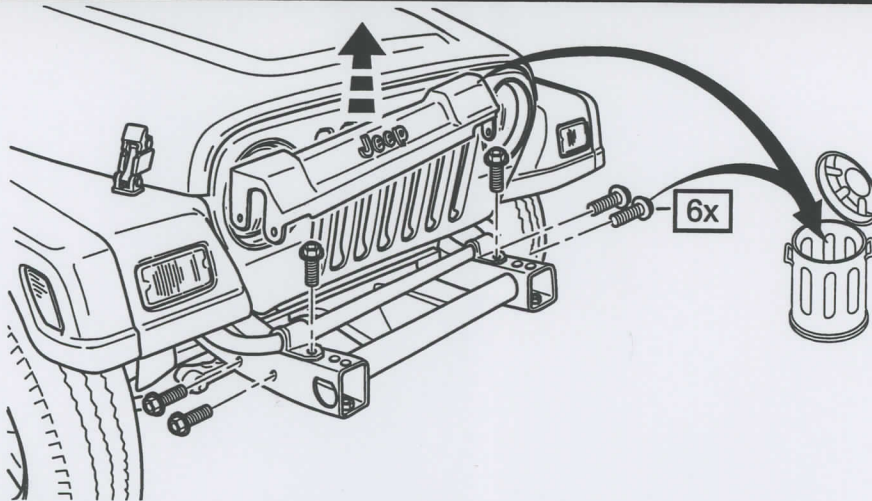
2 Remove fog lamps. (If equipped.)



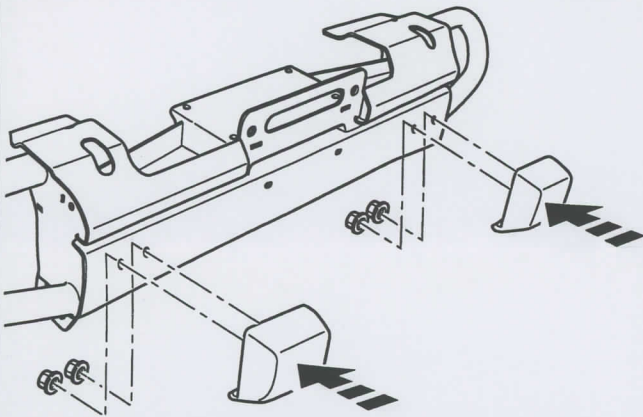
3 Remove license plate (If equipped.)



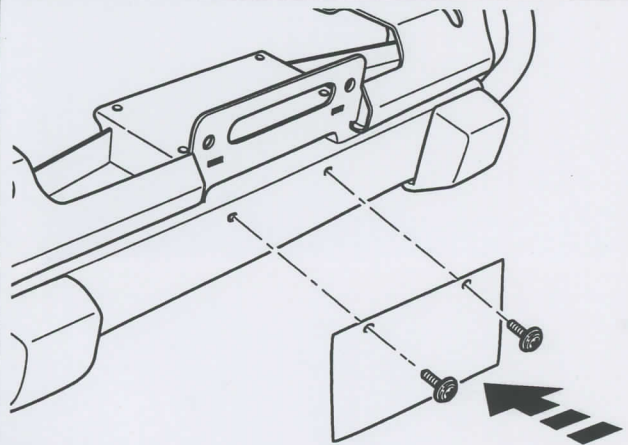
4



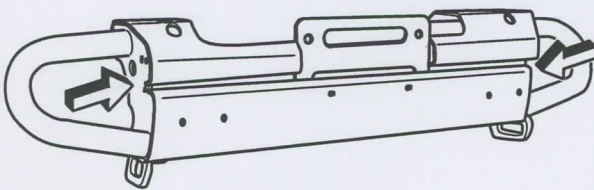
5 Remove and discard trim panel and 6 bolts.



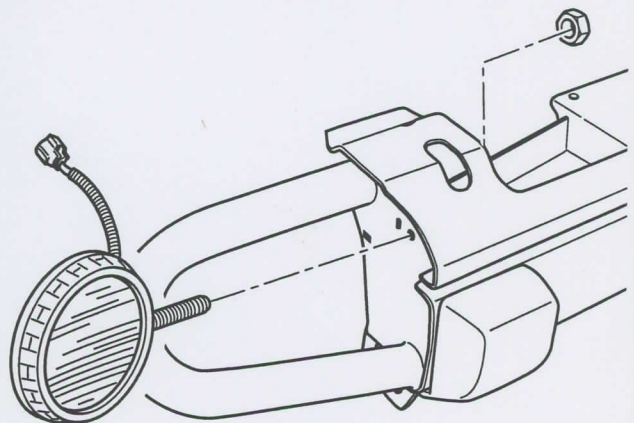
6 Install OEM energy absorbers and tighten to 20 Ft.-lbs. (28 N·m)



7 Attach license plate.



8 - 11

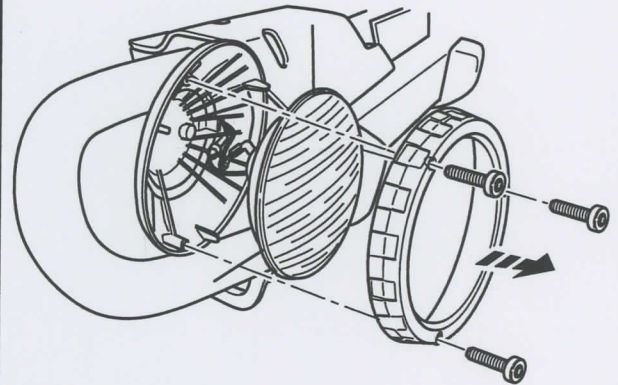


8

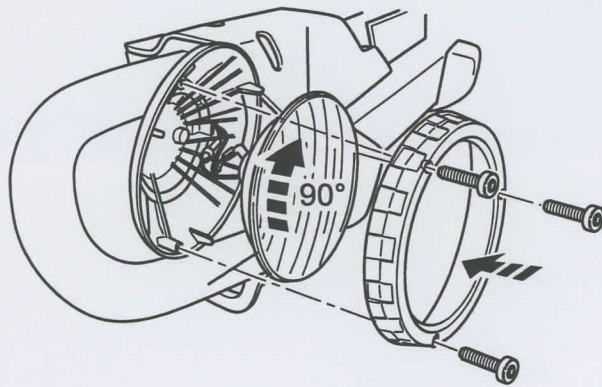
Bolt the Fog lamps to the bumper and tighten to 200 inch-lbs. (22 N·m). (If equipped.)



9 Mark the top of the fog lamp housing and cap with a grease pencil for re-assembly.



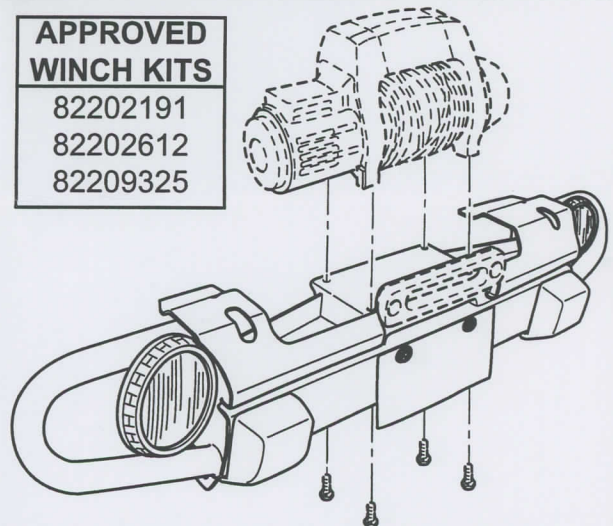
10 Remove 3 T-15 screws. Pull off and separate lens and lens cap.



Rotate lens 90 degrees clockwise and re-assemble.

11 NOTE: Rotate right side 90 degrees counter clockwise.

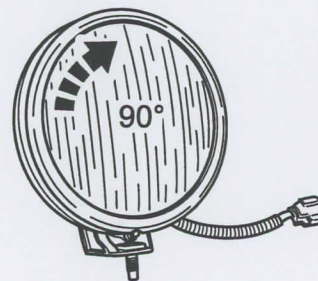
**APPROVED
WINCH KITS**
82202191
82202612
82209325



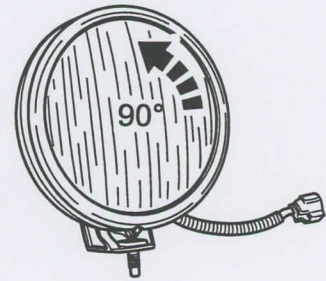
12 Install winch according to instructions provided with approved winch kits listed.

NOTE: 2005-2006 model year fog lamp lenses must be rotated before installing onto bumper due to the lens cap screws being removed from the back side of the fog lamp assembly.

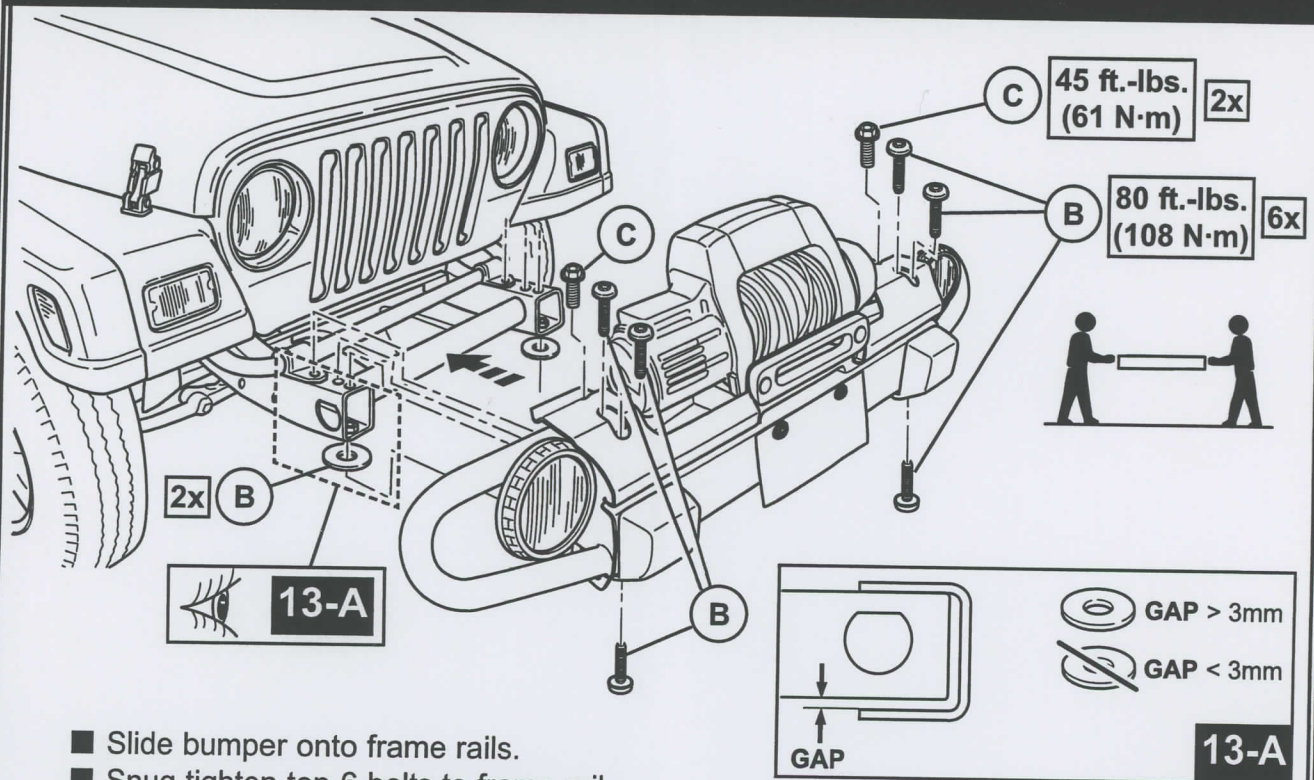
Apply steps 9 - 11 for 2005-2006 model year fog lamps, then apply step 8.



RH

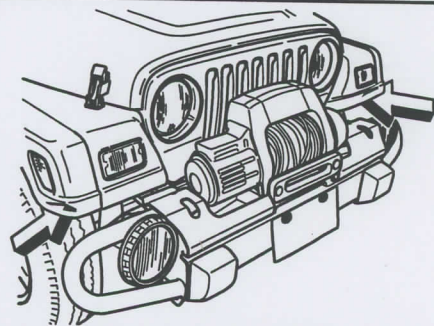


LH

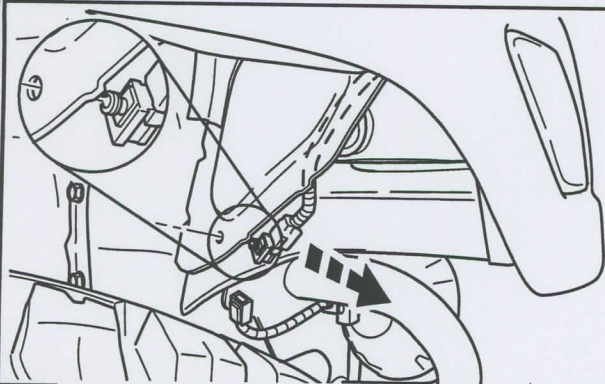


- Slide bumper onto frame rails.
- Snug tighten top 6 bolts to frame rails.
- If a gap is present between the bottom of frame rails and bumper of 3mm or more then tap spacers into place. If no gap is present then tighten bottom bolts into place without spacer. (see 13-A)
- Tighten bolts to torx specs shown.

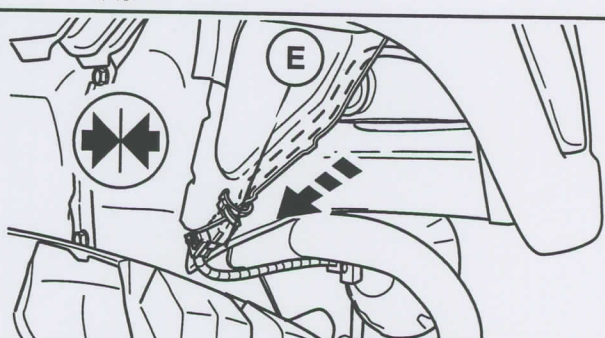
- Connect Fog lamps (if equipped) (see 14 - 15)
- Connect winch wiring as instructed in the winch instruction sheet. (if equipped)



13



14 Disconnect the harness retainer.



15 Pull the harness forward to gain extra length. Connect wire harness to fog lamp and secure harness with tie strap.