

TERAFLEX

PRODUCT INFORMATION

MAINTENANCE INFORMATION:

It is the buyer's responsibility to have all suspension, drivetrain, steering, and other components checked for proper tightness and torque after the first 100 miles and every 3000 miles after that.

NOTICE TO INSTALLER:

The enclosed "Warning to Driver" sticker must be installed in the vehicle in driver's view. This sticker is to act as a constant safety reminder when operating the vehicle. It is your responsibility as the equipment installer to install the provided sticker and to forward the product instructions to the vehicle's owner for review. If a "Warning to Driver" sticker or product installation guide were not included in the kit, FREE replacement stickers and instructions are available by request. It is the installer's duty to ensure a safe and controllable vehicle after the modifications have been performed.

WARNING:

Neither the seller nor the manufacturer will be liable for any loss, damage, or injury directly or indirectly arising from the use of or inability to determine the use of these products. Before using, the user shall determine the suitability of the products for its intended use, and the user shall assume all responsibility and risk in connection therewith.

WARNING TO DRIVER:

This vehicle has been modified to enhance off road performance and has unique handling characteristics. Use in harsh environments can cause extreme stress on the components. Vehicle should be inspected after being off road to make sure that all the components are in working order and safe to travel on the highway. All fasteners should be checked so that they are at the correct torque specifications as the vibration and stresses from off roading may cause critical fasteners to work loose. Extra care should be taken to inspect the critical components, steering, and brake systems. During each oil change components such as arms, tie rod ends, etc should be greased and checked for excessive wear. Any worn components should be replaced. When returning to the pavement always set or restore tire air pressure to the factory recommendation and connect or engage any disabled sway bar mechanisms. Because of the higher center of gravity and larger tires, this vehicle handles and reacts differently than many passenger cars, both on and off road. You must drive it safely! Extreme care should be taken to prevent vehicle rollover or loss of control, which can result in serious injury or death. Avoid sudden sharp turns or abrupt maneuvers. Generally, braking performance and capabilities are decreased when significantly larger/heavier tires are used, especially when used in combination with transfer case low-range reduction kits. Take this into consideration while driving. Do not add, alter or fabricate any factory or aftermarket parts to increase vehicle height over the intended height of the TeraFlex product purchased. Mixing component brand is not recommended. TeraFlex Inc. will not be responsible for any altered product or any improper installation or use of our products. We will be happy to answer any questions concerning the design, function, and correct use of our products. It is ultimately the buyer's responsibility to have all bolts/nuts checked for tightness after the first 100 miles and then every 3000 miles. Wheel alignment, steering system, suspension and drive line systems must be inspected by a qualified professional mechanic at least every 3000 miles.

TERAFLEX PRODUCT WARRANTY:

TeraFlex Inc. warrants TeraFlex Suspension products to the original retail purchaser to be free of defects in material and workmanship for as long as the original purchaser owns the vehicle on which products were originally installed.

Failure to complete regular maintenance (grease every 3000 miles) on TeraFlex FlexArms will void this warranty. All other conditions of the standard TeraFlex product warranty apply.

All TeraLow products are covered by the TeraFlex two (2) year warranty to be free of defects in material and workmanship for two years from date purchased.

TeraFlex axles are covered by a 12-month warranty to be free of defects in materials and workmanship.

This warranty does not cover or include product finish, improperly installed or applied products, improperly maintained products, products or components used for racing or competition or damage due to abuse or neglect, products that fail due to the use of larger tire and wheel combinations.

All returns must be accompanied by an original invoice. It is the customer's responsibility to remove the product from the vehicle. Shipping charges are the responsibility of the customer. TeraFlex Inc. will pay the return freight if the product meets the terms of warranty.

This warranty is for the replacement or repair of defective TeraFlex products only and does not include freight charges, labor charges for removal of or installation of TeraFlex or related products or components, costs incurred due to down time of the vehicle, or lost profits due to vehicle down time.

A returned goods authorization number (RGA#) must accompany any returned products. For more information please contact a TeraFlex customer service representative.

COPYRIGHT

©Copyright 2014. All rights reserved, TeraFlex Inc. Reproduction of this catalog and/or any of its contents without written permission is strictly prohibited.

TeraFlex® is a registered trademark of TeraFlex Inc. All trade names and logos including but not limited to TeraFlex, FlexArms, RockGuard, Monster, and LCG are protected by law and duplication of trade names and/or logos are strictly prohibited.

TeraFlex Inc. reserves the right to update, discontinue, redesign, modify finish, part number or component build parts if deemed necessary without written notice.

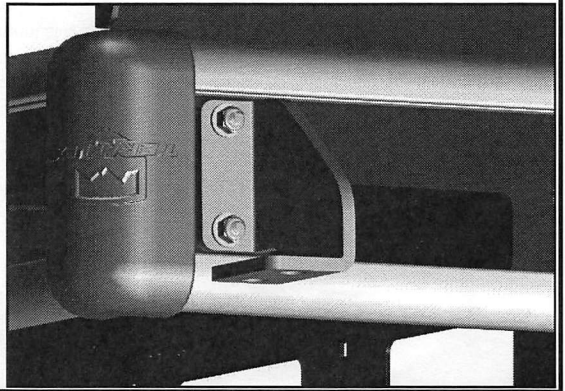
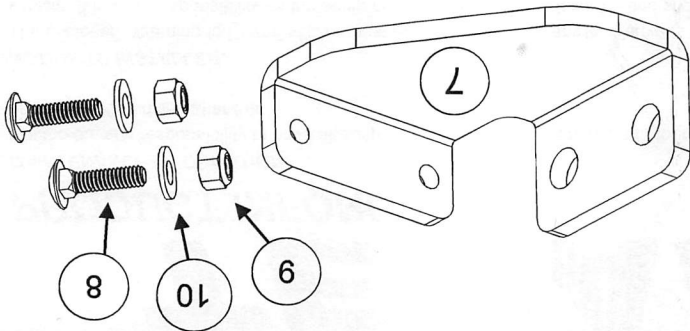
TeraFlex Inc., and any associated dealers are not responsible for misprints or typographical errors that may have inadvertently been made within this instruction sheet.

Jeep® and the Jeep® grill are registered trademarks of Fiat Chrysler Automobiles N.V., and have no affiliation with TeraFlex Inc.

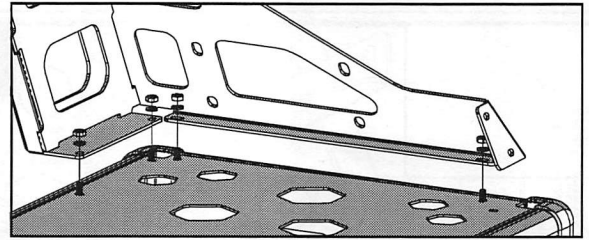
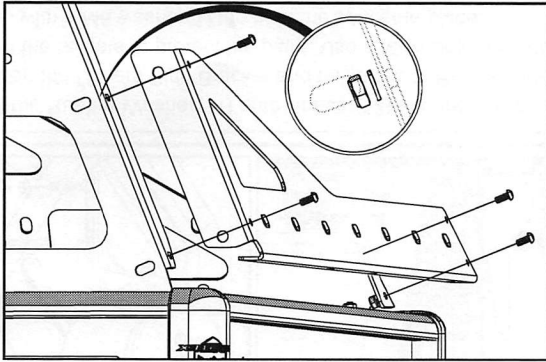
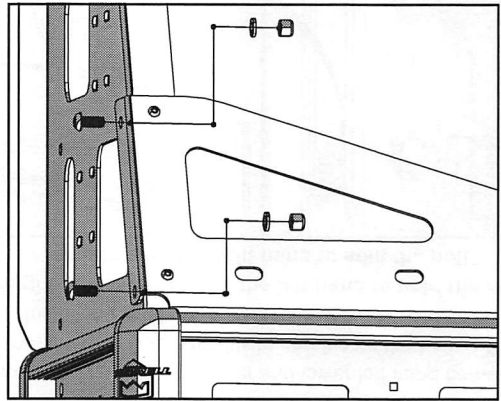
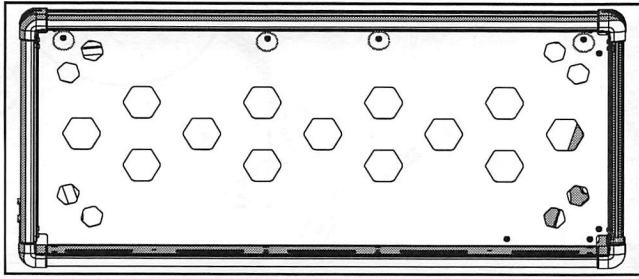
TERAFLEX, Inc.
5680 West Dannon Way
West Jordan, Utah 84081
Phone/801.713.3314
Fax/801.713.2313
www.teraflex.com

Item #	Part #	Description	QTY
7	830026	Alta Cargo Rack, CB Antenna Mount	1
8	460	Bolt 1/4"-20 x 1.0" L Carriage	2
9	88	Nut 1/4"-20 UNC Lock	2
10	89	Washer 1/4" Flat	2

Alta Cargo Rack Accessory (4830020) CB Antenna Mount

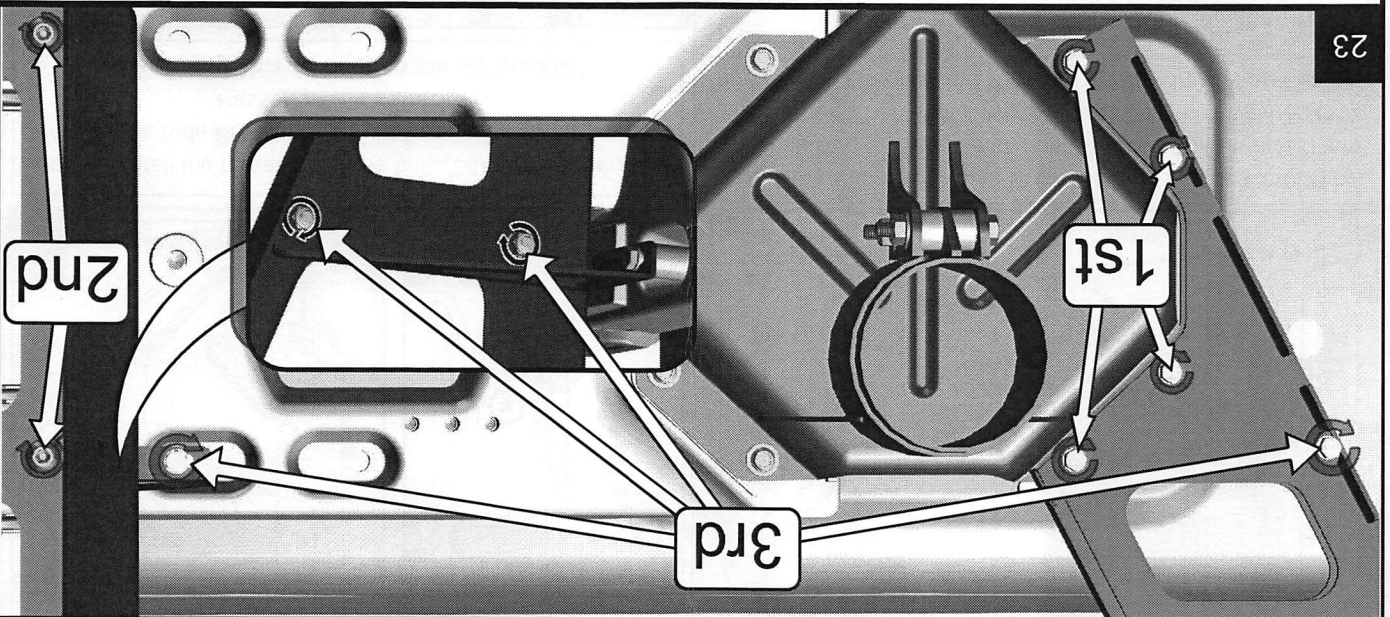


Re-torque all hardware after the first 300-500 miles of driving.
Also it is good practice to check all hardware after going offroad.



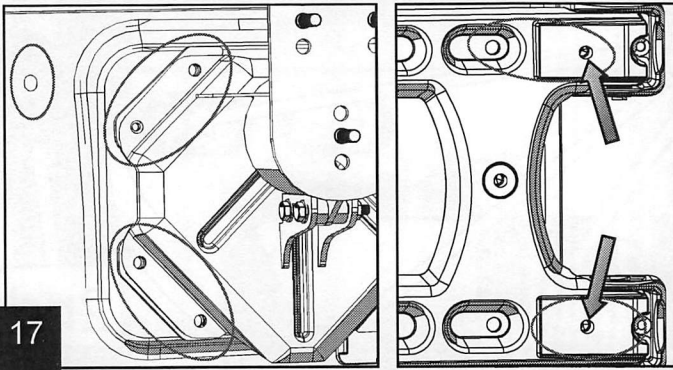
Now all that needs to be done is to tighten all the bolts that attach the top Rack Pan to the Driver, Passenger and Front Brackets. Use steps 13 through 16 to help locate this hardware.
Check that all hardware is properly torqued and reinstall the spare tire.

23



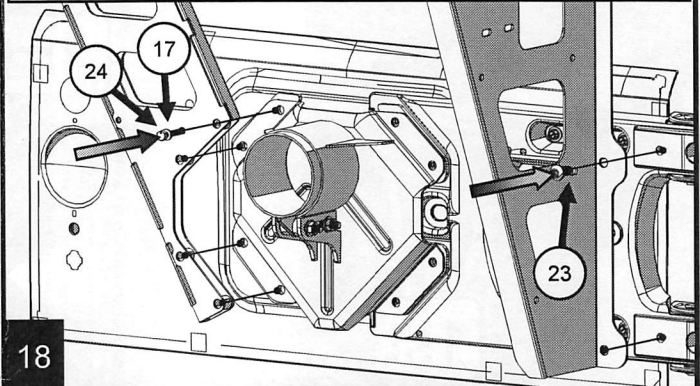
Tighten the bolts to the tailgate, (1st) starting with the four bolts(24) around the Adjustable Tire Carrier Mount Assembly attaching the Alta Rack's driver side Bracket, then (2nd) the two bolts(23) attaching the passenger side bracket to the HD Hinged Tire Carrier. Lastly (3rd) tighten the bolts(25) with the spacers and also the two bolts(22) and nuts(11) attaching the Passenger Side Brace to the Passenger Side Bracket.

Now with a clean rag clean off the surfaces of tailgate and tire carrier to make sure no dirt and debris is behind the Alta Rack when it is installed onto the Jeep. Also remove any plugs or accessories that might be using the passenger most side holes in the Tire Carriers body.



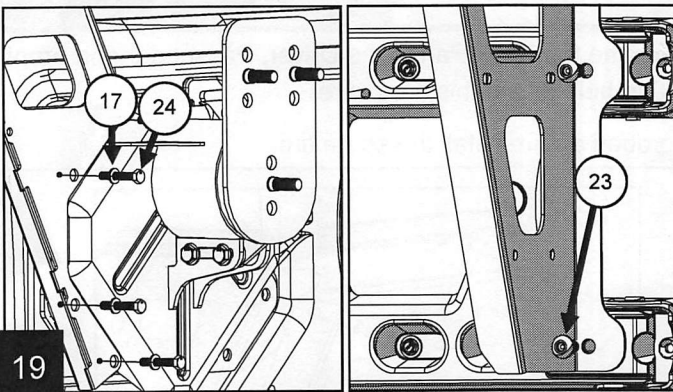
17

Have ready one 1/2" bolt(23) for the passenger side and one M8x50mm bolt(24) and M8 washer(17) for the drivers side.
Note: Apply Thread Lock to the M8 bolt(24). Then, with the use of a helper, carefully team lift the Alta Rack into position and start the upper bolt on each side.



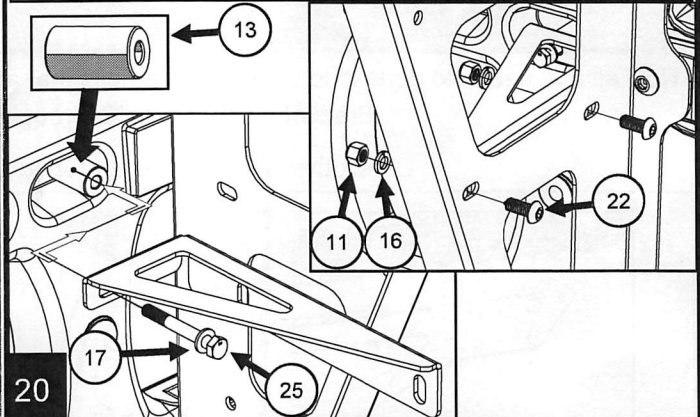
18

Loosely install the remaining three bolts(24) and washers(17) for Drivers Side Bracket and the other 1/2" bolt(23) for the Passenger Side Bracket.
Note: Apply Thread Lock to the M8 bolts(24).



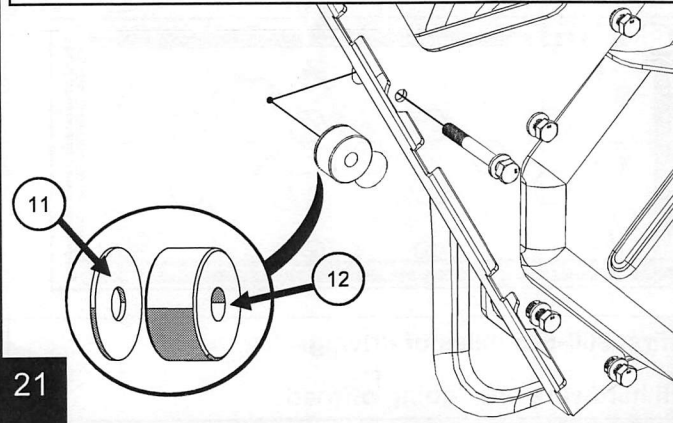
19

Install the Passenger Side Bracket Brace and spacer(13) by first installing the M8x65mm bolt(25) and M8 washer(17) into HD Carrier. Then install two 3/8" bolts(22), lock washers(16) and nuts(11) through the Passenger Side Bracket and Brace.



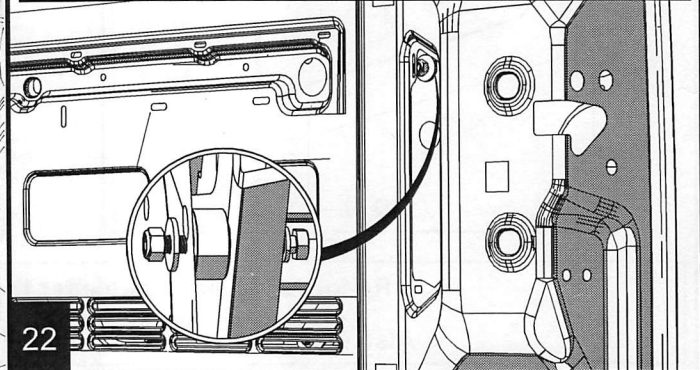
20

Install the Rubber Washer(11) onto Spacer(12) and then place it between the Drivers Side Bracket and tailgate with Rubber side against the tailgate to protect the paint. Use a M8x65mm bolt(25) with a M8 washer(17) to hold the spacer in place.



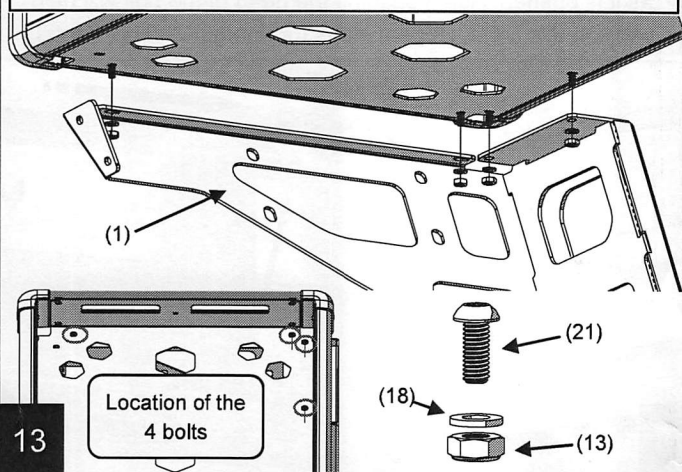
21

Open the tailgate and remove the vent cover that is on the drivers side by carefully prying the upper and lower left hand corners with a body panel pry tool. Use a flashlight and locate the bolt just installed. Install the washer(15) first followed by the nut(12).
Note: Might be easiest to use the left hand to hold the nut in the tailgate and the right hand to spin the bolt.



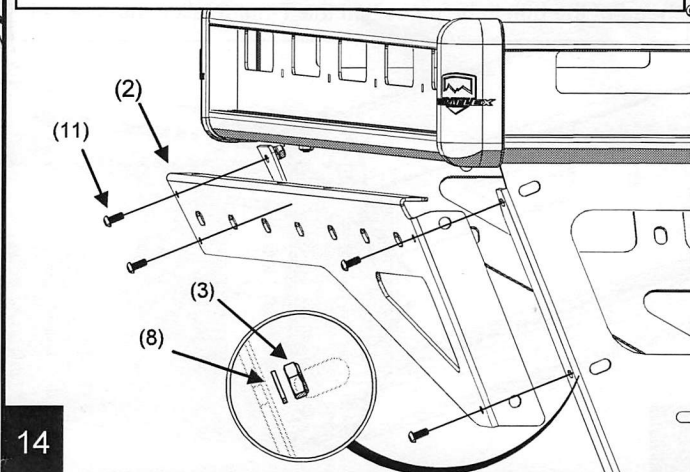
22

Install the drivers side bracket (1) using 4 6M bolts(21), washers(18) and nuts(13). Leave the bolts loose.



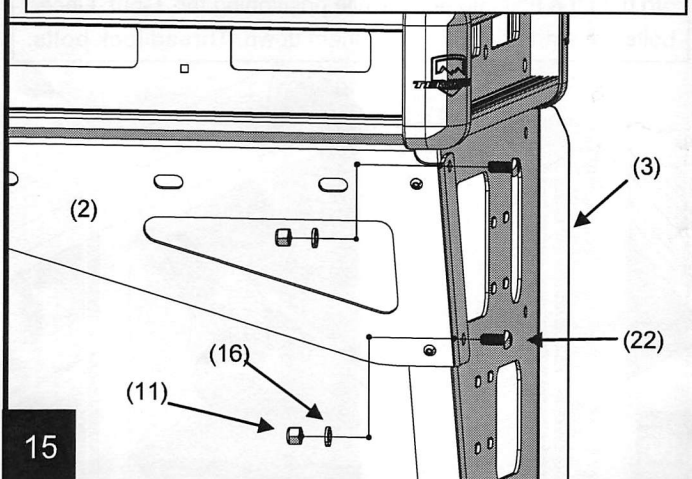
13

Loosely install the Front Brace(2) starting with the front facing four 6M bolts(11), washers(8) and nuts(3)



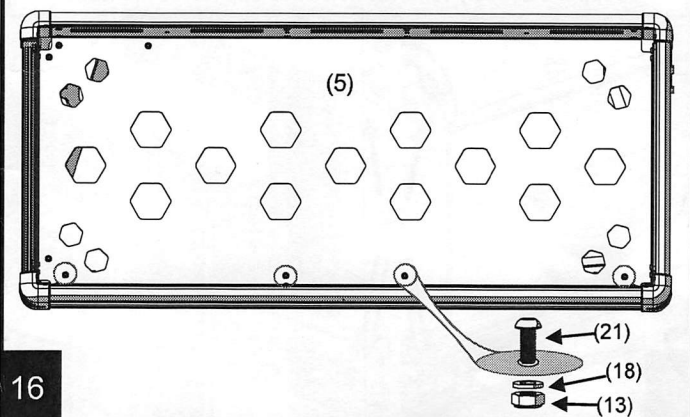
14

Loosely install two 3/8 bolts(22), washers(16) and nuts(11) through the Front Brace(2) and Passenger Side Bracket (3).



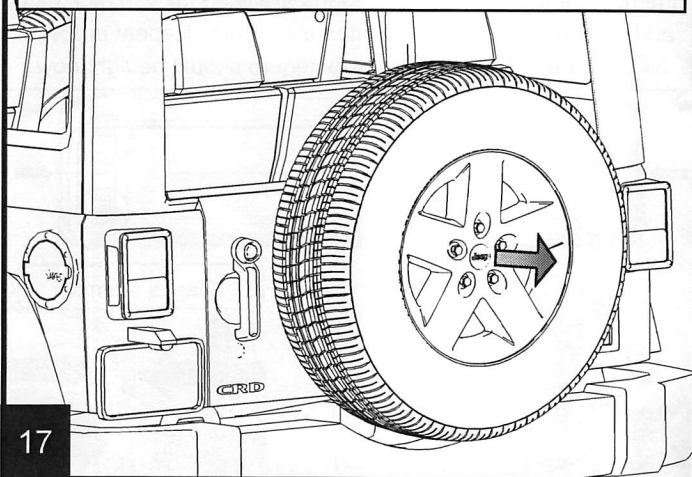
15

Loosely install the remaining 4 6M bolts(21), washers(18) and nuts(13) down through the top Rack Pan(5) and into the Front Brace(2), the same way as done in step 13.



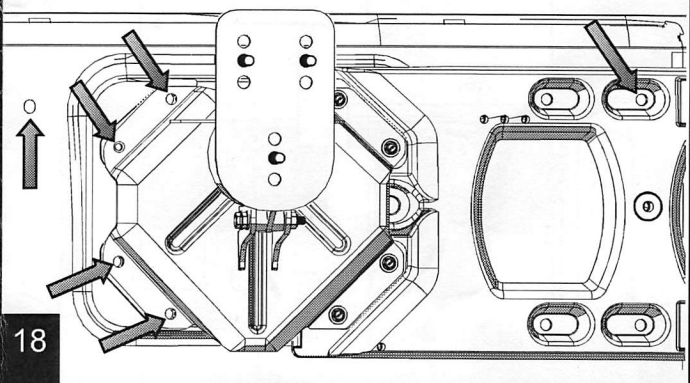
16

Remove the spare tire from the Teraflex HD Hinged Tire Carrier.

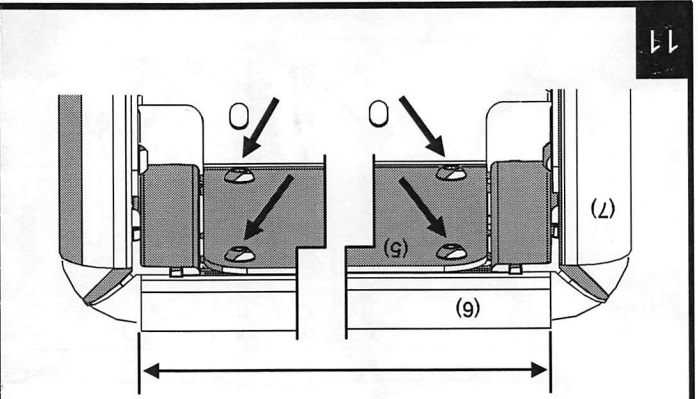


17

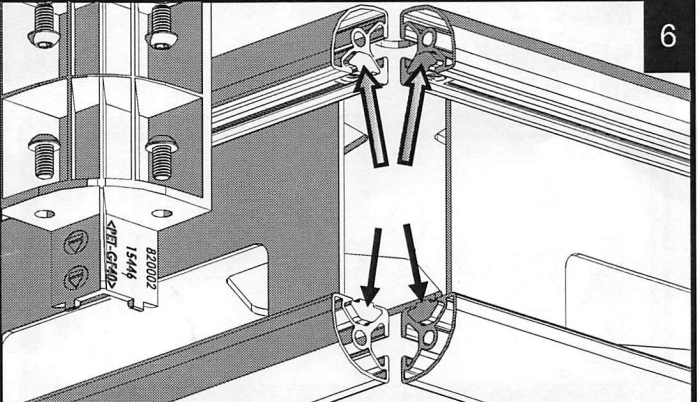
With a 13mm remove the 4 bolts on the drivers side of the adjustable tire carrier mount and 1 bolt on the upper passenger side of the hinged carriers body. Also remove the rubber tire stopper that is on the drivers side of the tailgate.



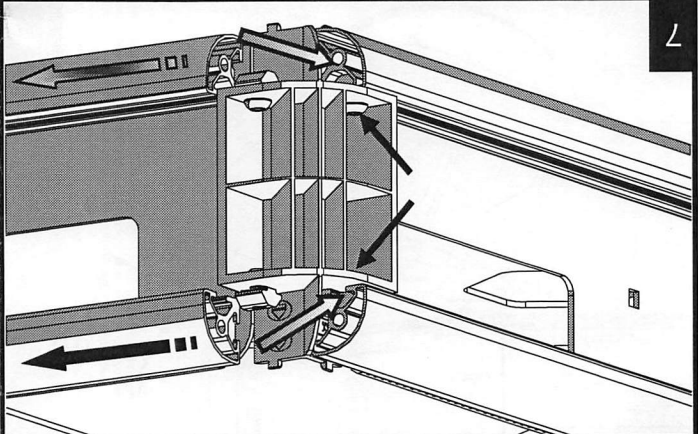
18



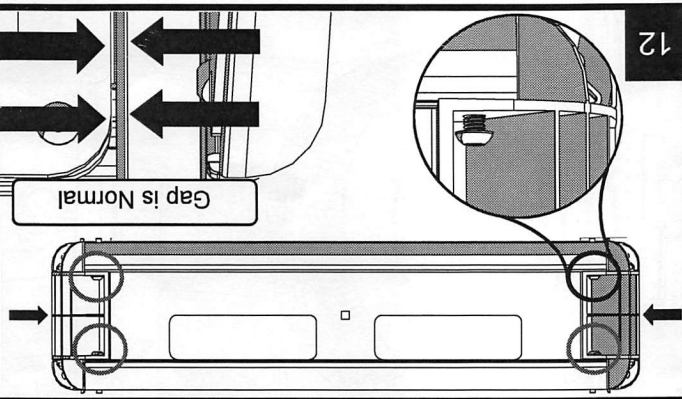
Now that all the corner supports are in place and hardware tightly snug, line up the side rails as center as possible and tighten down the bolts that hold the rail (6 & 7) to the rack pan (5), four bolts on the short sides and eight on the long sides.



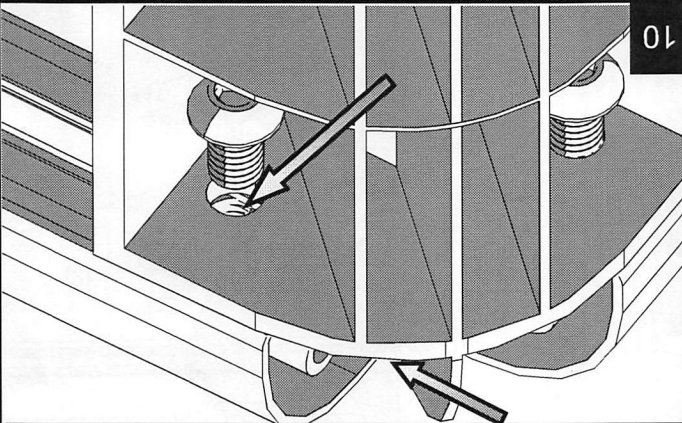
For the last corner support cap the 4 T-nuts will need to be slid into position in the side rails first. Place corner support into position. The short upper rail to rack pan bolt, closest to this end, may need to be removed to give enough room to position corner support. Loosely reinstall bolt once support is in place.



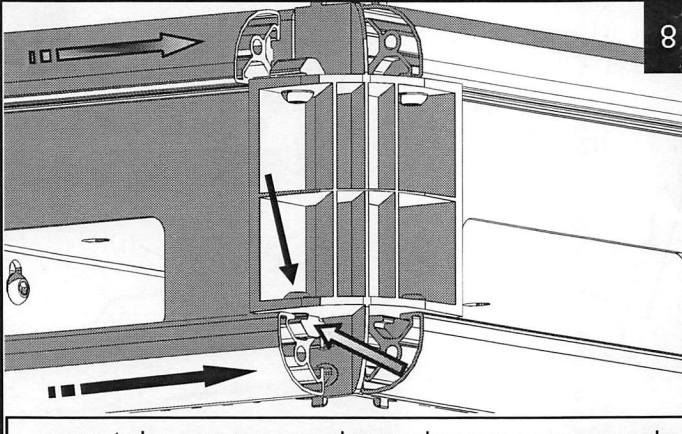
Slide one side of the rails over enough to clear the corner support as it is installed onto the other two side rails. Push the head of the bolt to help position the T-nut to slide into the rail.



With a helper or a carpenter's clamp, squeeze the corner supports onto the rails. Position any gap between the support and the rack pan evenly. Once supports are lined up with rack pan and snug against the rails tighten the 4 bolts. Repeat process for the others 3 sides. All rack fasteners should be tight now.

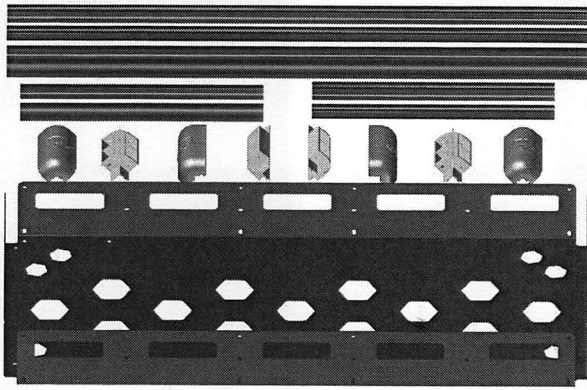


Start with the top first. Use a small screwdriver to line up the T-nut with bolt hole. It might be helpful to use the allen wrench to hold the bolt into place while positioning the T-nut. Once bolts are started lightly snug them down. Thread lock bolts.



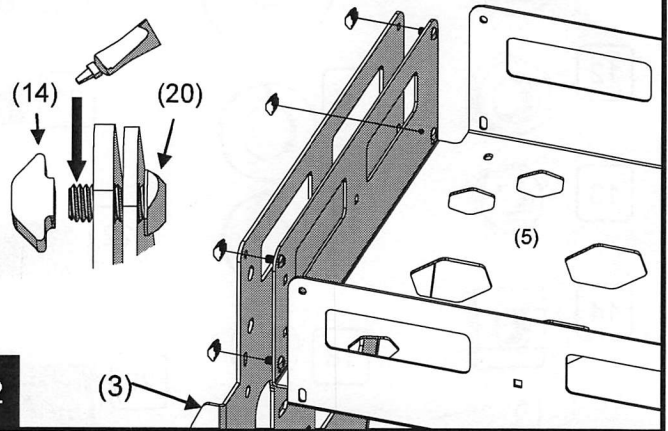
With one side on, very lightly snug the bolts with allen wrench, then push the other rails back into position lining up the T-nuts as it is pushed. Again pushing the head of the bolt will help position the T-nut. Repeat steps for another 2 caps, 3 total.

To help get started on the Alta Cargo Rack, unbox and lay out all the parts and hardware.



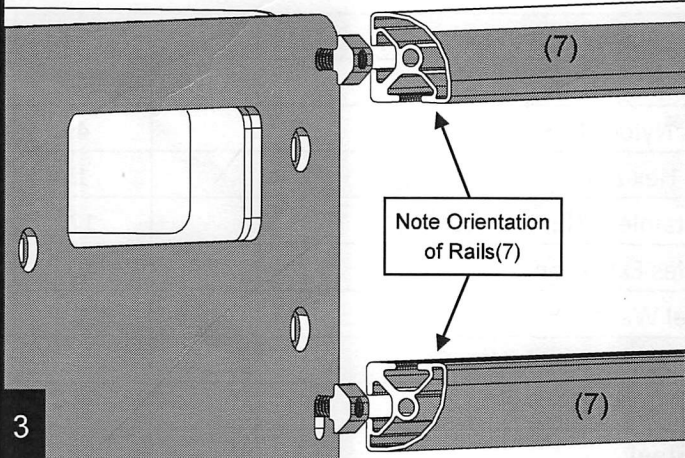
1

Attach the Passenger Side Bracket(3) to the Rack Pan(5) using four M6x12mm bolts(20) and four T-nuts(14). Apply Thread Locker to the end of the bolts.



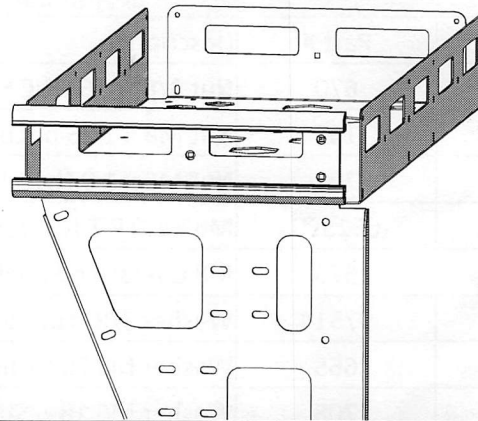
2

Leave the T-nuts loose enough to slide them through the short side rails(7) on the top and bottom.



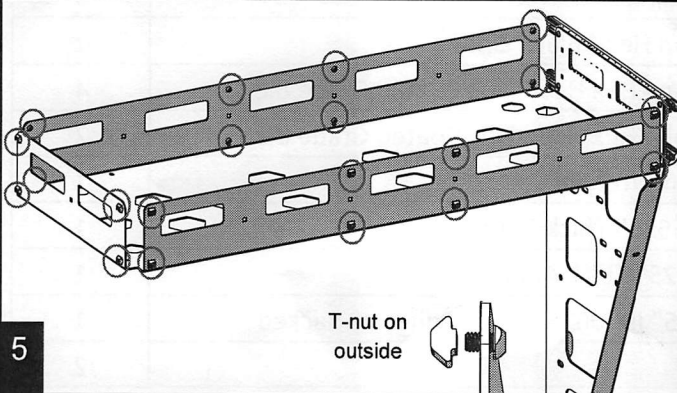
3

With the 2 short side rail installed use the supplied 4mm allen wrench to take up some of the slack on the four M6x12mm bolts, **do not tighten**.



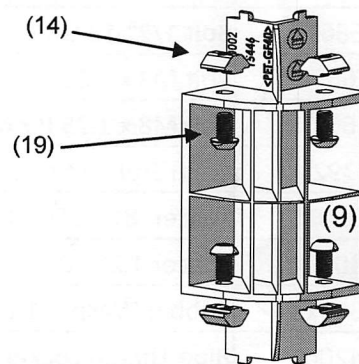
4

Install M6x10mm bolts(19) and T-nuts(14) that hold on the other 2 short(7) and 4 long(6) side rails. There are 8 holes on the long sides and 4 on the short. Apply Thread Locker to the end of the bolts. Leave T-nuts loose so side rails can slide on and slide them on.

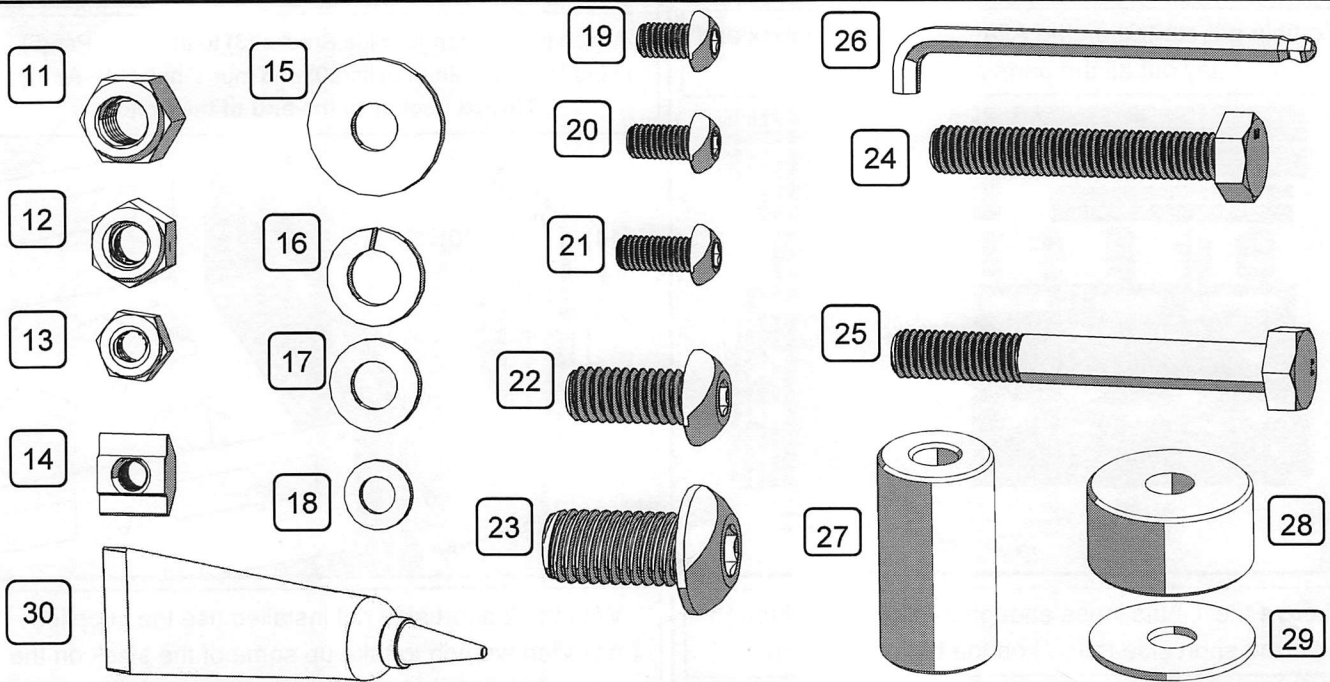


5

Take up some of the slack with the supplied 4mm allen wrench, **do not tighten**. Now install four M6x10mm bolts(19) and T-nuts(14) into **three** of the Corner Inner Supports(9). Apply Thread Locker to bolts.

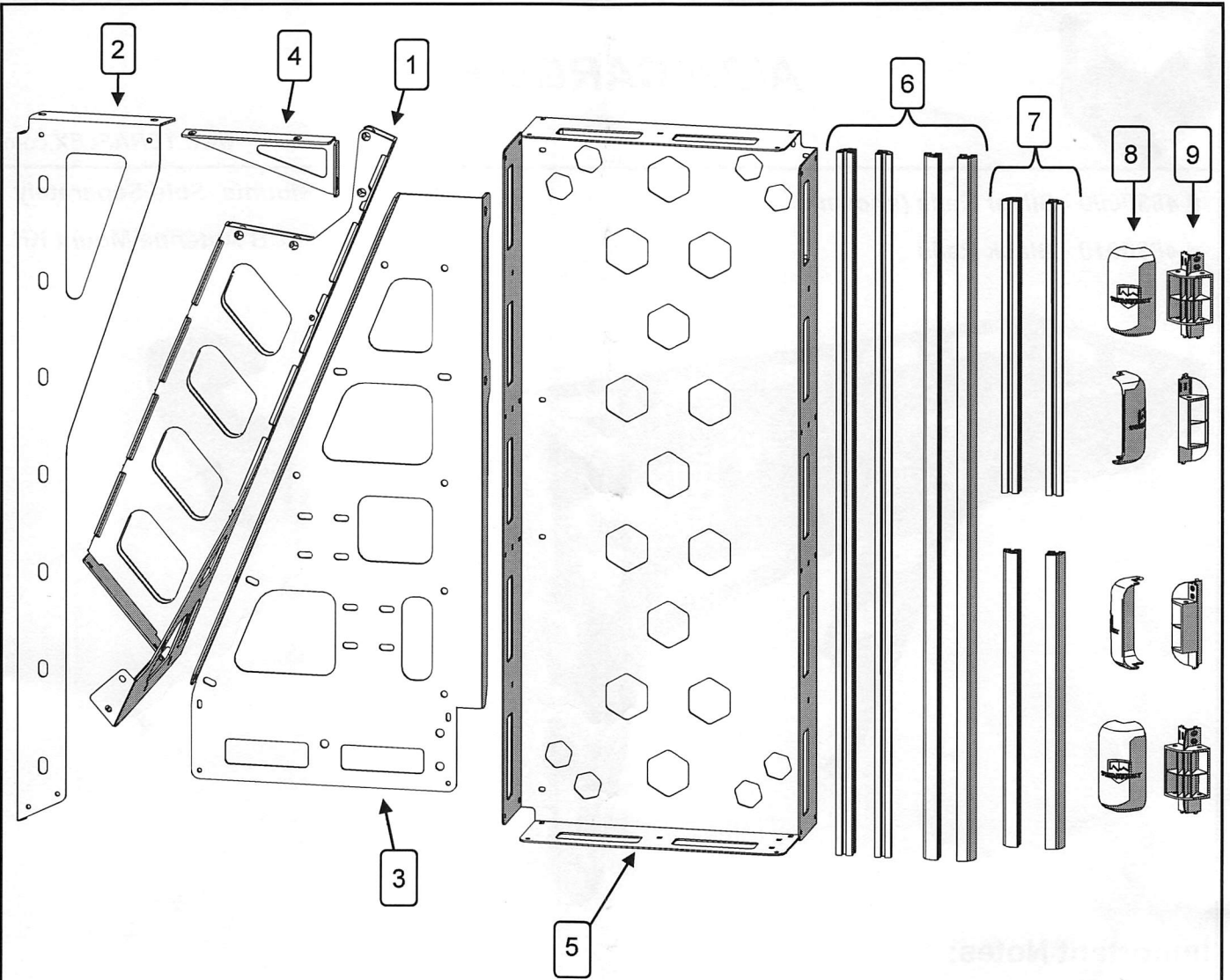


6



JK Alta Cargo Rack - Hardware Pack

Item #	Part #	Description	QTY
11	670	Nut 3/8" - 16 UNC Stainless Nylock Hex Nut	4
12	169	Nut M8 x 1.25 pitch Nylock Hex zinc	1
13	709	Nut M6 x 1.0 Nylock 18-8 Stainless Thin Hex Locknut	12
14	651390	M6 x 1.0 P T-Nut for 10 Series Extrusions	40
15	673	M8 Oversized Stainless Steel Washer	1
16	97514	Washer 3/8" Lock Stainless Steel washer 3/8	4
17	665	Washer M8 Flat Zinc Plated	6
18	708	Washer M6 18-8 Stainless Steel	12
19	332	Bolt M6 x 1.0 x 10mm Long Stainless Button Head Socket Cap Screw	36
20	331	Bolt M6 x 1.0 x 12mm Long Stainless Button Head Socket Cap Screw	4
21	672	Bolt M6 x 1.0 x 14mm Long Stainless Button Head Socket Cap Screw	12
22	669	Bolt 3/8" - 16 UNC x 7/8" Stainless Button Head	4
23	5861	Bolt 1/2"-13 UNC x 1" Button Head Black Zinc	2
24	667	Bolt M8 x 1.25 P x 50mm Long Hex Head Zinc Coated Grade 8.8	4
25	668	Bolt M8 x 1.25 P x 65mm Long Hex Head Zinc Coated Grade 8.8	2
26	392	4mm Stubby Hex L-Key Allen Wrench	1
27	830025	Spacer .875 OD .3438 ID 1.5625" Thick Aluminum	1
28	830024	Spacer 1.25" OD .375" ID .625" Thick Aluminum	1
29	830023	Rubber Washer 1.25OD .375" ID .0625" Thick Adhesive Backed	1
30	242001	Blue Thread Locker	2



JK Alta Cargo Rack - Sheet Metal and Basket Components			
Item #	Part #	Description	QTY
1	830001	Driver Side Bracket Assembly, Powder Coated	1
2	830009	Front Brace, Powder Coated	1
3	830012	Passenger Side Bracket, Powder Coated	1
4	830015	Passenger Side Bracket, Brace, Powder Coated	1
5	830018	Pan, Powder Coated	1
6	820003	Aluminum Rail Long Side	4
7	820032	Aluminum Rail Short Side	4
8	820001	Corner Outer Cap	4
9	820002	Corner Inner Support	4



ALTA CARGO RACK

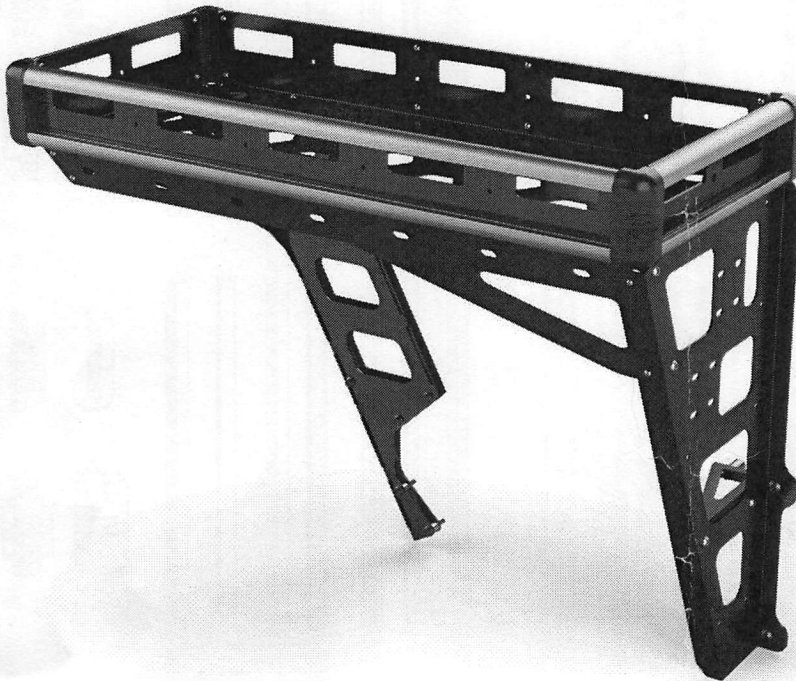
www.TERAFLEX.com

4830000 - Silver Rails (shown)

4830010 - Black Rails

Accessory Mounts Sold Separately

4830020 - CB Antenna Mount Kit



Important Notes:

Prior to beginning this or any installation read these instructions to familiarize yourself with the required steps and evaluate if you are experienced and capable to personally perform these modifications. A factory service manual should be used in conjunction with these installation instructions.

Refer to the parts list to ensure that all necessary components and hardware has been included. If any parts are missing please contact your local TeraFlex dealer for assistance.

Tools needed:

- Small and Medium Sized Flat Head Screw Driver
- Ratchet Wrench
- 5/16 7/32 Allen Socket
- 13mm Socket
- 10mm, 13mm, and 9/16 Wrench