



## Installation Instructions:

(Part # SB76827)

2007-2013 Jeep JK 2dr/4dr  
XRC Modular Front Bumper Stinger

**NOTE:** Carefully read entire instructions thoroughly before attempting to install this part.

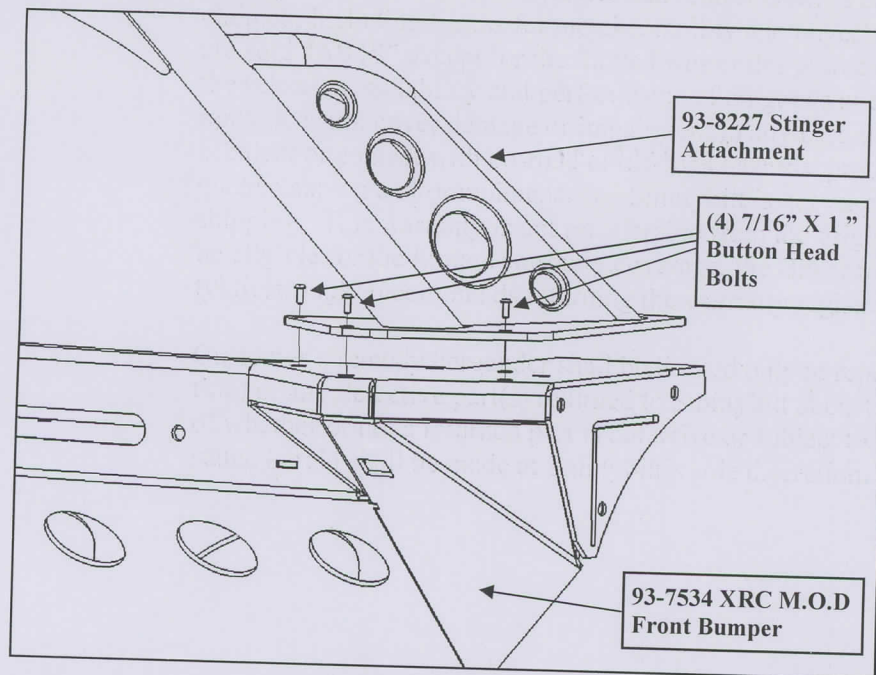
Parts Included	Qty
93-8227 XRC Modular Bumper Stinger	1
10 x 25mm Hex Bolts	8
10mm Flat Washer	16
10mm Lock-nuts	8

### INSTALLATION:

**Step 1:** Unbolt and remove the stainless steel top cover plate (90-7552 *drv*r and 90-7553 *pass*), by removing the (4 per side) 10 x 25mm hex head bolts. Save for reinstallation.

**Step 2:** Carefully, place your new Stinger attachment (93-8227) on top of your XRC M.O.D. Bumper (93-7534).

**Step 3:** Align the holes of the Stinger (93-8227) mounting plate and the XRC M.O.D. Bumper (93-7534). Reinstall the (2 per side) forward most 10 x 25mm Hex head bolts. **DO NOT** tighten at this time. (Fig. A)



(Fig. A)

For Technical Support/Warranty Information please call 310-762-9944

Smittybilt, 400 W Artesia, Compton, CA 90220

Revised 9.5.11



## Installation Instructions:

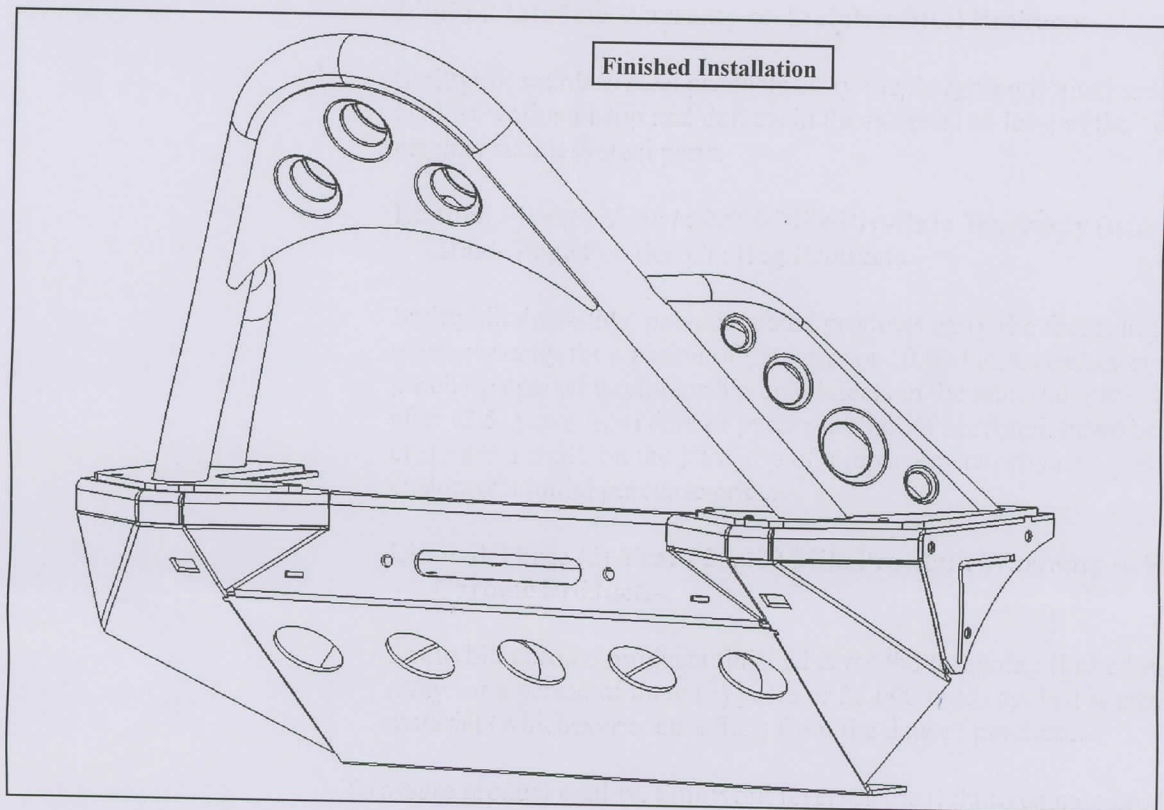
(Part # SB76827)

2007-2012 Jeep JK 2dr/4dr

*XRC Modular Front Bumper Stinger*

**Step 4:** Reinstall the previously removed (2 per side) 10 x 25mm Hex head bolts and hardware into the rear holes. (Fig. A) Torque the M10 bolts to 30 ft./lbs

**Step 5:** Installation is now complete. (Fig. B)



(Fig. B)

For Technical Support/Warranty Information please call 310-762-9944

Smittybilt, 400 W Artesia, Compton, CA 90220



---

**NOTE:** Please take time to fill in the information requested below. It is highly recommended to keep this with the instructions and warranty information in a safe location. This will help with any warranty or customer service issues if they should arise. Please write down the DOP# that is located on the outside of the box and or on part or hardware box. (Pictured Below)



Part Number: \_\_\_\_\_  
Date of Purchase: \_\_\_\_\_  
Where did you purchase this product? \_\_\_\_\_  
Store or catalog name: \_\_\_\_\_  
Store Location: \_\_\_\_\_  
Invoice # \_\_\_\_\_  
DOP# \_\_\_\_\_  
Who installed or will install your Smittybilt product? \_\_\_\_\_

---

**For Technical Support/Warranty Information please call 310-762-9944**

---

**Smittybilt, 400 West Artesia Blvd, Compton, CA 90220**



## Installation Instructions:

(Part # SB76827)

2007-2012 Jeep JK 2dr/4dr

*XRC Modular Front Bumper Stinger*

### Duration of Limited Warranty

#### **Limited Lifetime Warranty on Stainless Steel Products -**

Smittybilt stainless steel products carry the foregoing limited repair or replacement warranty against workmanship and defects in the material so long as the original purchaser retains the original stainless steel parts.

#### **Limited Five (5) Year / 50,000 Mile Pro-Rata Warranty (whichever occurs first) on Dual-Stage Powder Coating Products -**

Smittybilt dual-stage powder coated products carry the foregoing limited repair or replacement warranty for a period of (5) years or 50,000 miles (whichever occurs first) from date of purchase against workmanship and defects in the material, provided that any claim submitted after (2.5) years from date of purchase shall, if accepted, be satisfied by Smittybilt offering customer a credit on the purchase of a replacement product equal to fifty percent (50%) of customer's initial purchase price.

#### **Limited Three (3) Year / 36,000 Mile Pro-Rata Warranty (whichever occurs first) on Chrome Products-**

Smittybilt chrome products finished carry the foregoing limited repair or replacement warranty for a period of three (3) years or 36,000 miles against workmanship and defects in the material (whichever occurs first) from the date of purchase.

To assure product quality, Smittybilt reserves the right to change product design, material, specification and finishes without prior notice to customers. This limited warranty gives you specific legal rights and you may also have other rights, which may vary from state to state. Some states do not allow limitations on how long an implied warranty lasts, so the above limitations may not apply as to you. Also, some states do not allow the exclusion or limitation of incidental or consequential damages, so the above limitations or exclusions may not apply to you. Smittybilt reserves the right to discontinue product lines and substitute products, or provide other remedies than those listed in this limited warranty for those discontinued products.

**For Technical Support/Warranty Information please call 310-762-9944**

---

**Smittybilt, 400 W Artesia, Compton, CA 90220**



## Installation Instructions:

(Part # SB76827)

2007-2012 Jeep JK 2dr/4dr  
XRC Modular Front Bumper Stinger

### Product cleaning and maintenance instructions

**Stainless Steel Finish** – Aluminum polish may be used to polish small scratches and scuffs on the finish. Mild soap, window or glass cleaner may be used to clean the finish. **Dual state powder coat finish** – Mild soap, window or glass cleaner may be used to clean the finish. In order to protect the finish, you may wax your product on a regular basis with pure carnauba automotive wax. Do not use any types of soap, polish or was that contains abrasive that could damage the finish. **Textured coated finishes** should be cleaned with a mild soap on a damp sponge. Do not apply polish or was that requires to be removed by means of buffing. This type of wax is commonly used at car wash facilities. **Chrome Finish** – Mild soap, window or glass cleaner may be used to clean the finish. In order to protect the finish you should wax your product on a regular basis with pure carnauba automotive wax. Do not use any types of soap, polish or was that contains abrasive that could damage the finish.

### Limited Warranties

Smittybilt's products are covered under the following limited warranties only. Note that the duration of the limited warranty differs according to the material and finish of the product purchased. Subject to the duration and conditions of the limited warranty stated below, Smittybilt warrants to the original retail purchaser that its products are free from defects in material and workmanship. All other warranties and representations express or implied, are hereby disclaimed, including fitness for merchantability and buyer's intended use or purpose. All parts are sold "AS IS" except for the limited warranties granted herein. Buyer assumes all risks as to the selection, suitability and performance of all goods and products selected. This limited warranty does not cover damage or impairment in any part due to misuse, improper installation, accident or contact with on-road or off-road hazards, product modification, improper or inadequate cleaning and/or maintenance. Smittybilt is not responsible for items damaged during shipping. This warranty is not transferable from the original buyer. For the original Buyer to be eligible for the limited warranty coverage, the Buyer must provide proof of purchase. Smittybilt strongly recommends returning the warranty registration card.

Customer's remedy hereunder shall be limited only to repair or replacement (at Smittybilt's option) of any defective part(s) returned to Smittybilt at customer's expense. The determination of whether or not a returned part is defective or subject to coverage under the limited warranties stated herein shall be made at Smittybilt's sole discretion.

For Technical Support/Warranty Information please call 310-762-9944

Smittybilt, 400 W Artesia, Compton, CA 90220