

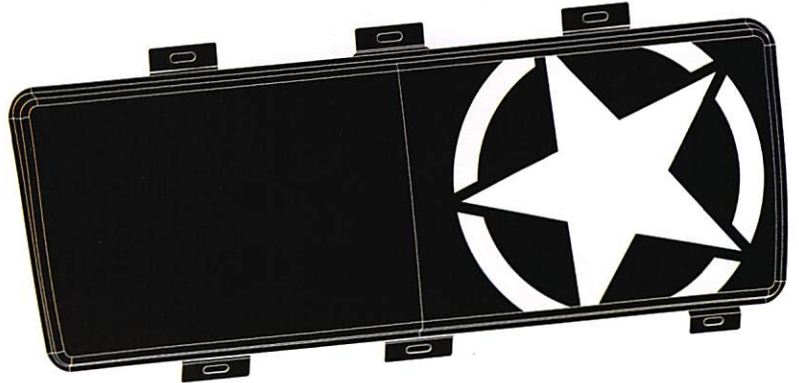


460 HORIZON DR. SUITE 400 | SUWANEE, GA 30024 | PHONE: 770-614-6101 | FAX: 770-614-6069 | info@omix-ada.com

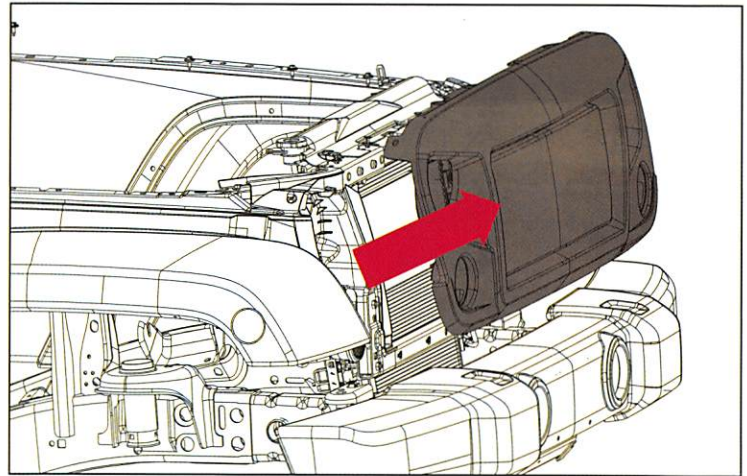
Inserts for Spartan Grille

CONTENTS:

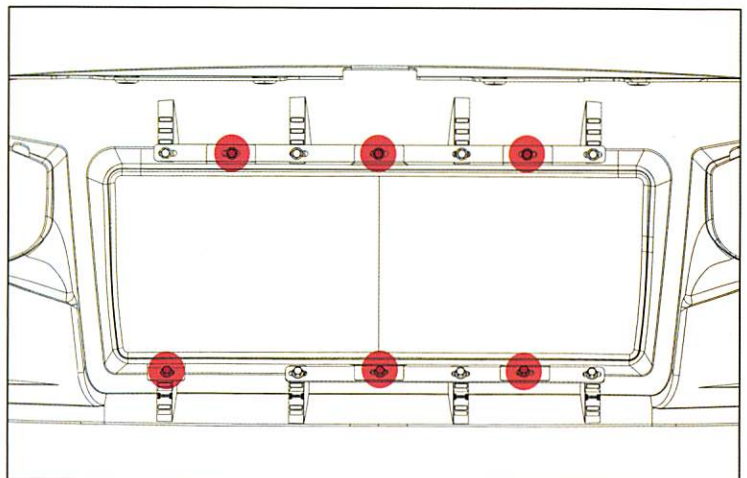
- Grille Insert (1)



1. Remove Spartan Grille from vehicle. Refer to instructions included with grille for removal.



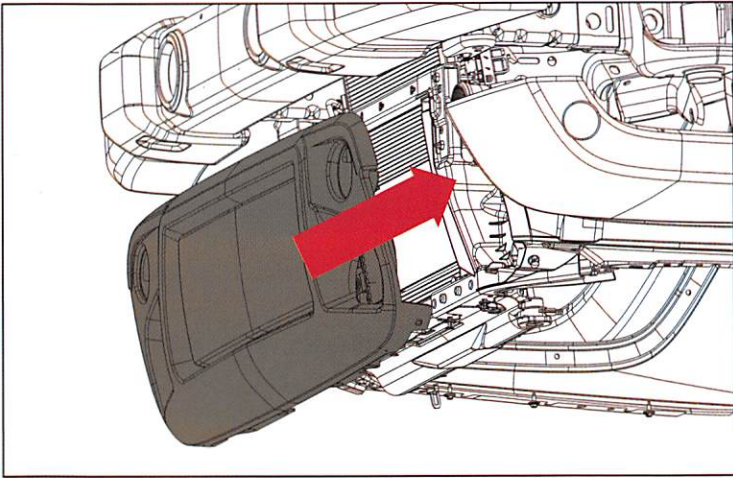
2. Remove highlighted M6 fasteners from rear of Spartan Grille. They will be reused for installing the graphical insert. Remove mesh insert.



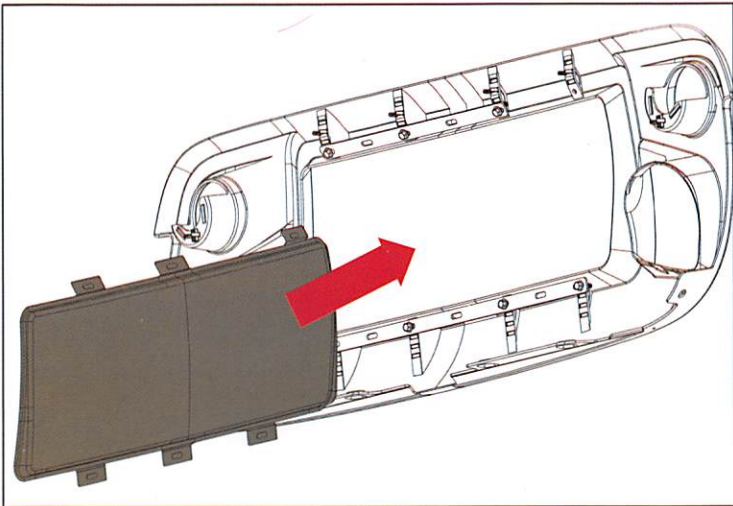
OMIX-ADA® TECHNICAL SUPPORT

PHONE: M-F 8am - 5pm EST 1-800-449-6649 | **EMAIL:** techsupport@omix-ada.com

FOR WARRANTY INFORMATION VISIT: www.Omix-Ada.com



4. Reinstall Spartan Grille. Refer to instructions included with the grille for installation.



3. Install new grille insert using the M6 hardware from the previous step.

Inserts for Spartan Grille

460 HORIZON DR. SUITE 400 | SUWANEE, GA 30024 | PHONE: 770-614-6101 | FAX: 770-614-6069 | info@omix-ada.com

