



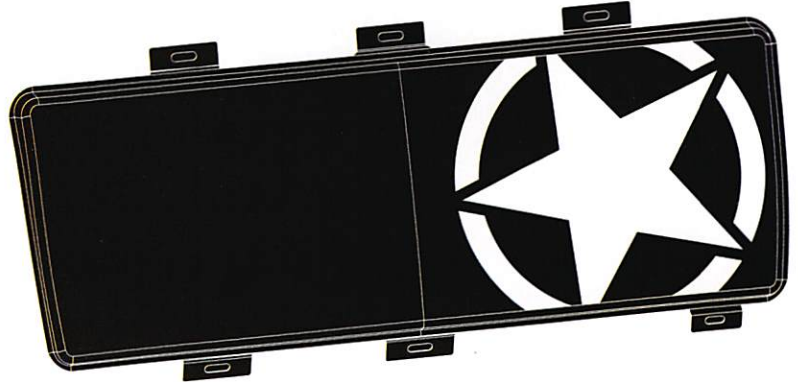
OMIX-ADA, Inc.

460 HORIZON DR. SUITE 400 | SUWANEE, GA 30024 | PHONE: 770-614-6101 | FAX: 770-614-6069 | info@omix-ada.com

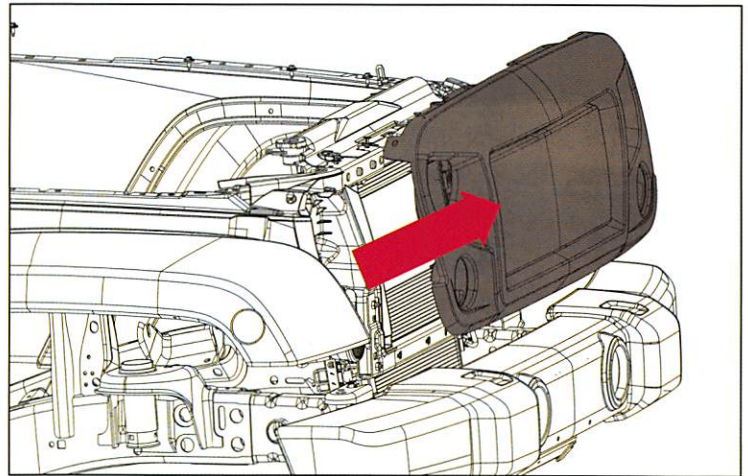
# Inserts for Spartan Grille

## CONTENTS:

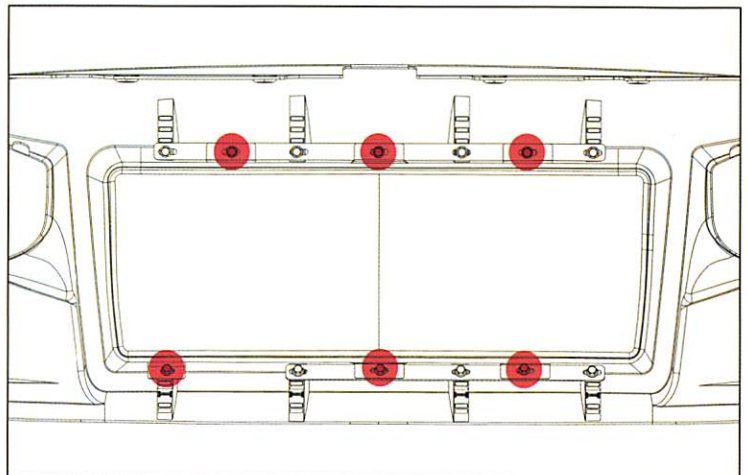
- Grille Insert (1)



1. Remove Spartan Grille from vehicle. Refer to instructions included with grille for removal.



2. Remove highlighted M6 fasteners from rear of Spartan Grille. They will be reused for installing the graphical insert. Remove mesh insert.



### OMIX-ADA® TECHNICAL SUPPORT

PHONE: M-F 8am - 5pm EST 1-800-449-6649 | EMAIL: techsupport@omix-ada.com

FOR WARRANTY INFORMATION VISIT: [www.Omix-Ada.com](http://www.Omix-Ada.com)

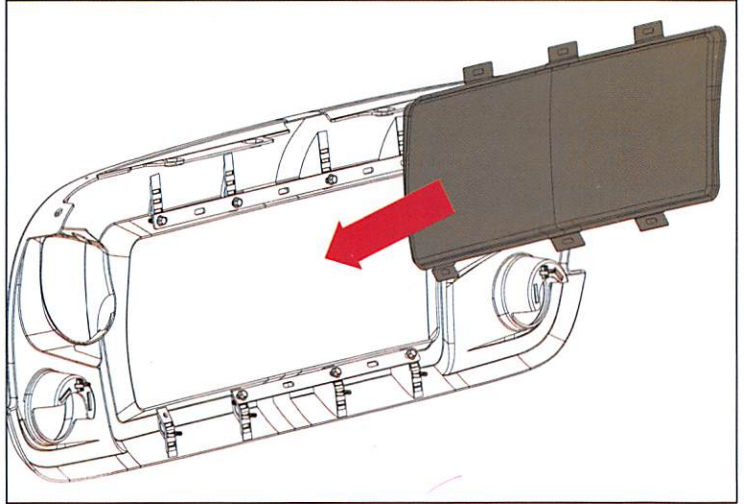


OMIX-ADA, Inc.

460 HORIZON DR. SUITE 400 | SUWANEE, GA 30024 | PHONE: 770-614-6101 | FAX: 770-614-6069 | info@omix-ada.com

## Inserts for Spartan Grille

3. Install new grille insert using the M6 hardware from the previous step.



4. Reinstall Spartan Grille. Refer to instructions included with the grille for installation.

