

Thanks for choosing a KC HiLiTES product. We take pride in building the highest quality, best engineered systems possible. Your satisfaction with our product is important, so if you have any questions, please call our customer service line at 800-528-0950. For warranty information, visit our website at www.kchilites.com.

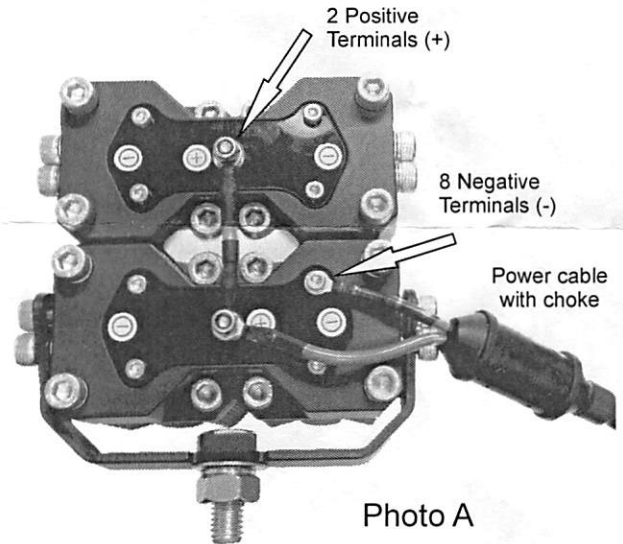
Parts Included

2 - FLEX Dual Quad Lights	2 - Power Cables	3 - Sheet Metal Screws
1 - Switch & Panel	1 - Wiring Harness	6 - Wire Ties

PLEASE NOTE - This light is for OFF ROAD USE ONLY

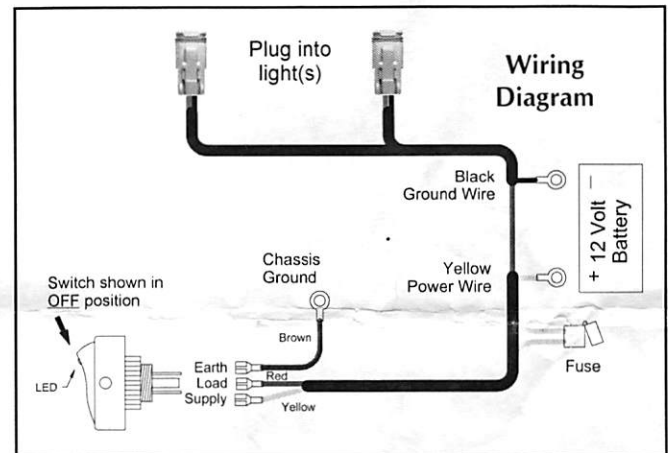
MOUNTING YOUR LIGHT

1. Find one of the 15" power cables with choke and attach the red wire to one of the two positive (+) terminals on the back of the Quad. Then attach the black wire to any one of the eight negative (-) terminals. (see photo A) Repeat for other Quad.
2. Choose a location on your vehicle to mount your light(s). Mark the location for mounting and drill a 10mm hole for each light. Install the light(s) and loosely tighten. (you will secure them later when aiming)



WIRING YOUR LIGHTS

1. **Remove the fuse from the harness.** Find a suitable location inside the passenger compartment for your switch. Mark and drill two 1/8" holes, insert screws and loosely install the panel to ensure fit. Remove panel, install switch, and slide panel with switch back in place. (*Do not tighten. The panel and switch will be removed when attaching wires.*)
2. Connect the light wire(s) to the light(s) and route the harness back toward the battery or other 12V power source. Attach the **YELLOW** wire to the positive side of the battery or power source. Attach the **BLACK** wire to the negative side of the battery or chassis ground.
3. Continue routing the **YELLOW** and **RED** wires of the harness into the vehicle toward the switch. Once the wires are inside the vehicle near the switch, remove the panel with switch and attach the **RED** wire to the switch terminal marked **LOAD**. Attach the **YELLOW** wire to the switch terminal marked **SUPPLY**. Attach one end of the **BROWN** wire to the switch terminal marked **EARTH** and the other end to a good grounded metal surface under the dash. (use supplied screw and washer if needed) Re-attach the panel with switch and tighten the screws.
4. Before replacing the fuse, ensure the switch is in the off position (see harness diagram). Replace the fuse and turn on your lights.



AIMING YOUR LIGHTS

Spot & Combo Beams - Since lights such as these are not legal on any public road or highway, aiming your off road lights is entirely up to you. Most prefer the beam as far down the road as possible, others adjust them slightly off to the sides.

After aiming the light(s) to your preference, tighten all hardware.

YOU'RE DONE

To see other configurations and/or add additional FLEX LED lights and accessories, visit our website at - www.kchilites.com