

Installation Instructions

DESCRIPTION: REAR BUMPER FOR JEEP WRANGLER JK 07

No	Description	Qty	Specification	No	Description	Qty	Specification
1	Rear bumper	1		4	Spring washer	12	D12
2	Hex bolt	4	M12*110	5	Lock nut	8	D12
3	Hex bolt	4	M12*35	6	Nut	4	D12

Installation steps:

Step 1: Remove the factory rear bumper and support brackets from the vehicle. (Fig. 1)

Step 2: Drill out the four holes in the center of the frame to 1/2". (Fig 2A)

Step 3: Insert nut plate into the inside of the rear frame rails lining up the nuts in the plate with the holes in the frame rail. (Fig 2B)

Step 4: Position the rear bumper up into place, aligning the four holes in the center of the frame with the holes on the hitch plate portion of the bumper. (This step may require assistance) Attach using the supplied 1/2"x 4 1/2" bolts with flat washers and lock nuts. Do not completely tighten at this time.

Step 5: Install the four 1/2" x 1 1/4" bolts through the side brackets into the previously installed nut plate. Make sure bumper is level and the completely tighten all hardware.

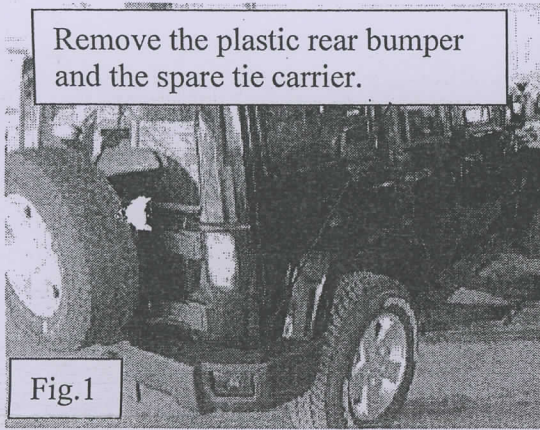


Fig.1

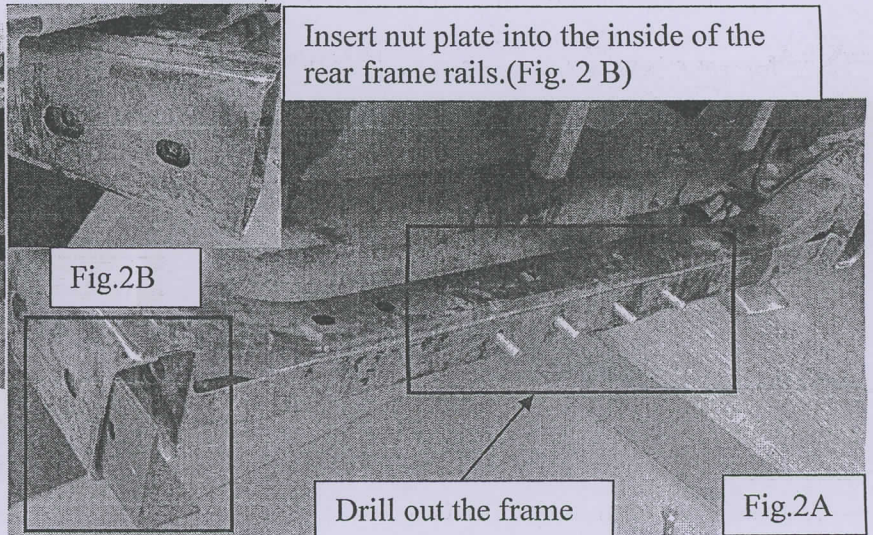
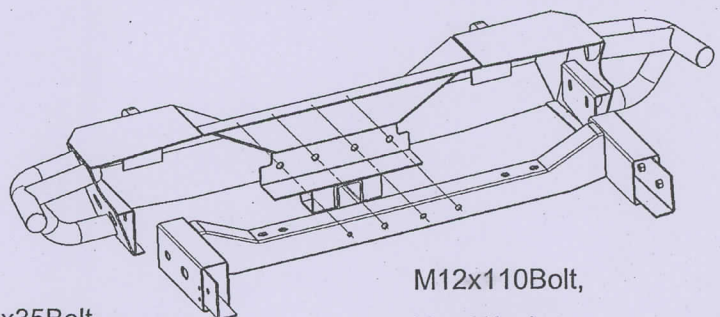
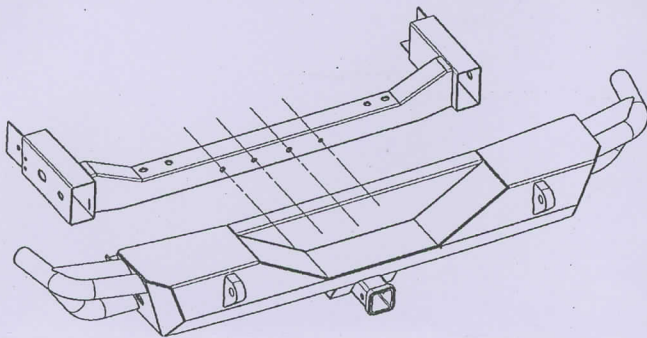


Fig.2B

Fig.2A



M12x35Bolt,
Nut, Washer

M12x110Bolt,
Nut, Washer