

Installation Instructions

Description: BUMPER FOR JEEP WRANGLER JK 07-15

No.	Description	Qty	Size	No.	Description	Qty	Size
1	Bumper	1		7	Hex nut	6	M12
2	Top tube bar	1		8	Lock washer	8	D10
3	Fairlead mount	1		9	Lock washer	6	D12
4	Hex bolt	8	M10x40	10	Washer	16	D10
5	Hex bolt	6	M12x35	11	Washer	12	D12
6	Hex nut	8	M10	12	Light space Washer	2	Spare

Installation Steps:

1. Reference parts lists and installation drawings, check the accessories are complete.
2. Remove the factory bumper & the frame bracket, to fix the bumper to the frame with the screws. (Fig.1 & Fig.2 & Fig.3AB)
3. All bolts are screwed on and adjust the best position to slowly tighten all bolts.
4. Check for leakage on the bolts, make sure tighten all the bolts.
5. You have to mount your square led light to the bumper before you install the bumper to your vehicle.
(Light mounting need the space washer)

Installation Diagram:

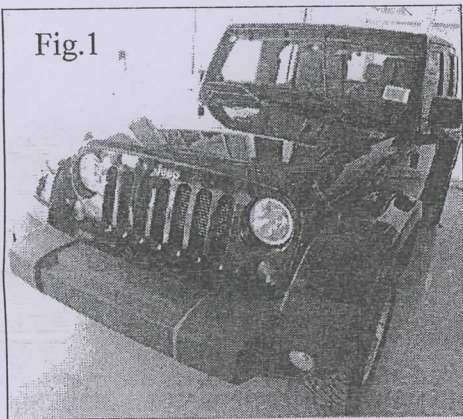
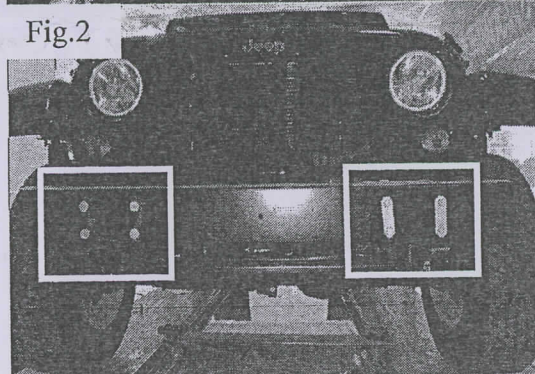


Fig.1



Fig.2



Remove the plastic bumper & the frame bracket (Fig.1 & Fig.2 & Fig.3AB)



Fig.3-A

Fig.3-B

Place the bumper onto vehicle and install washers and locknuts. (Fig.4-AB)

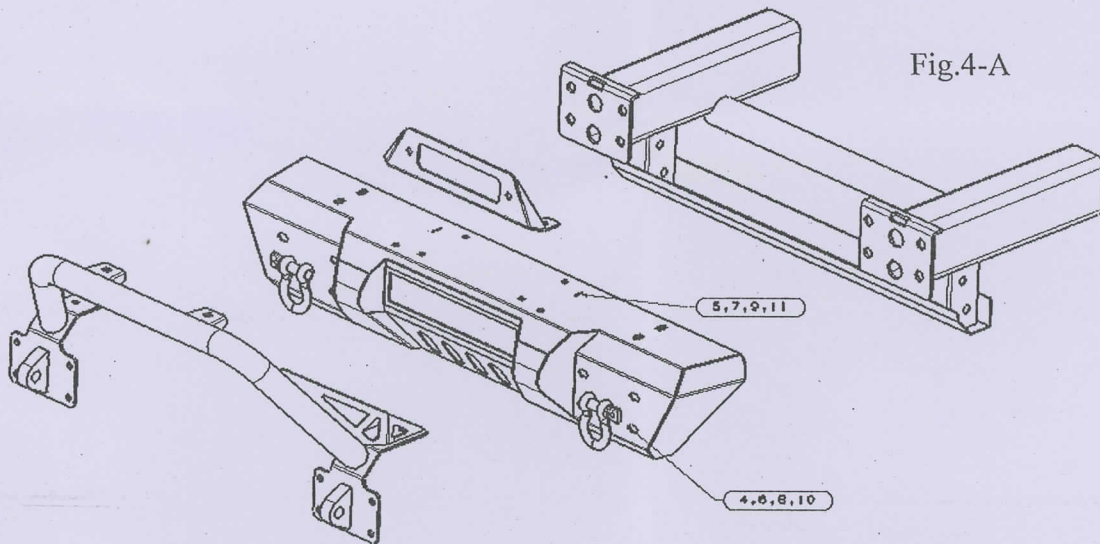
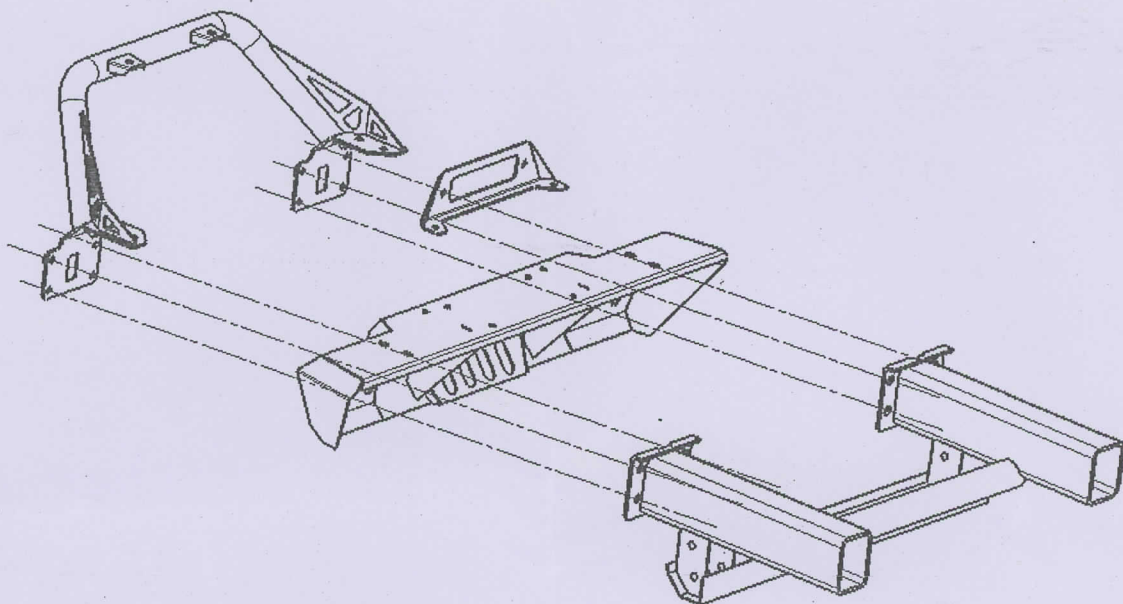


Fig.4-A

Fig.4-B

Fig.4-B



M10 Washer, Lock nut, Nut.