

Installation Instructions

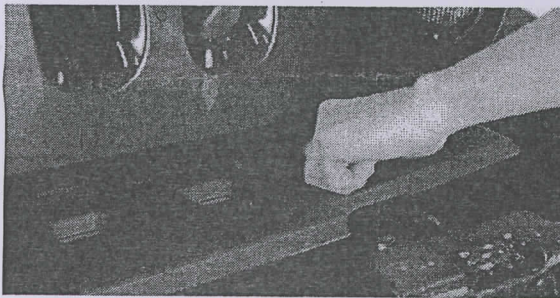
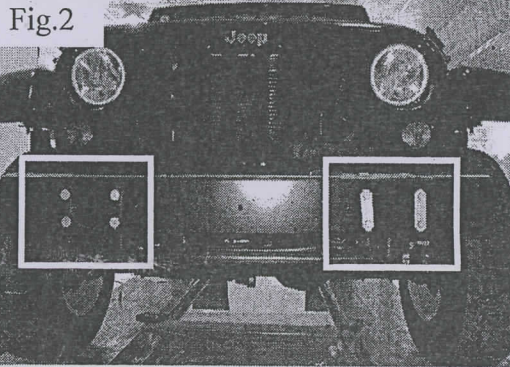
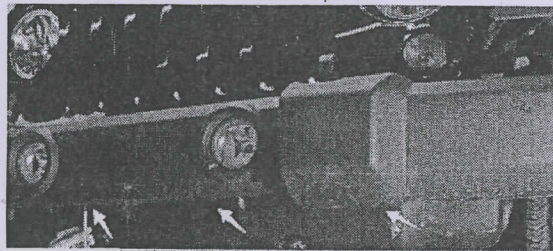
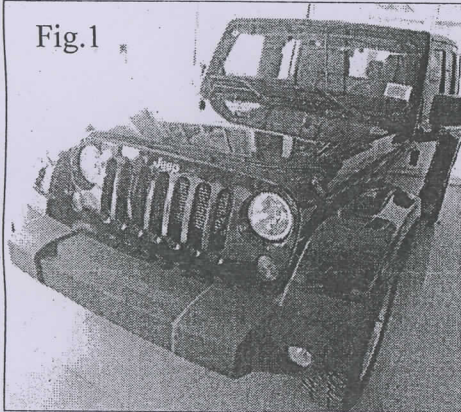
Description: RedRock 4x4 Stubby Front Bumper w/Stinger & Inset Winch Mount (07-17 Wrangler JK)

No.	Description	Qty	Size	No.	Description	Qty	Size
1	Bumper grille guard	1		3	Spring washer	8	D10
2	Hex Nut	8	M10	4	Increase the flat washer	8	D10

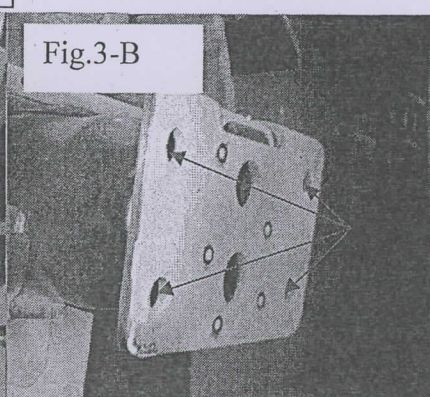
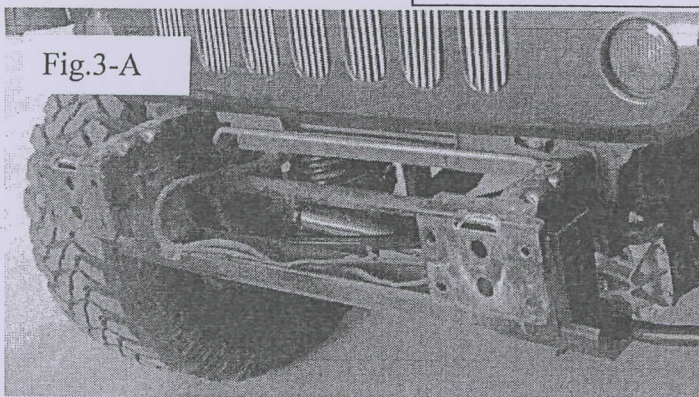
Installation Steps:

1. Reference parts lists and installation drawings, check the accessories are complete.
2. Remove the factory bumper & the frame bracket, to fix the bumper to the frame with the screws. (Fig.1 & Fig.2 & Fig.3AB)
3. All bolts are screwed on and adjust the best position to slowly tighten all bolts.
4. Check for leakage on the bolts, make sure tighten all the bolts.

Installation Diagram:



Remove the plastic bumper & the frame bracket (Fig.1 & Fig.2 & Fig.3AB)



Place the bumper onto vehicle and install 12mm washers and locknuts. (Fig.4-AB)

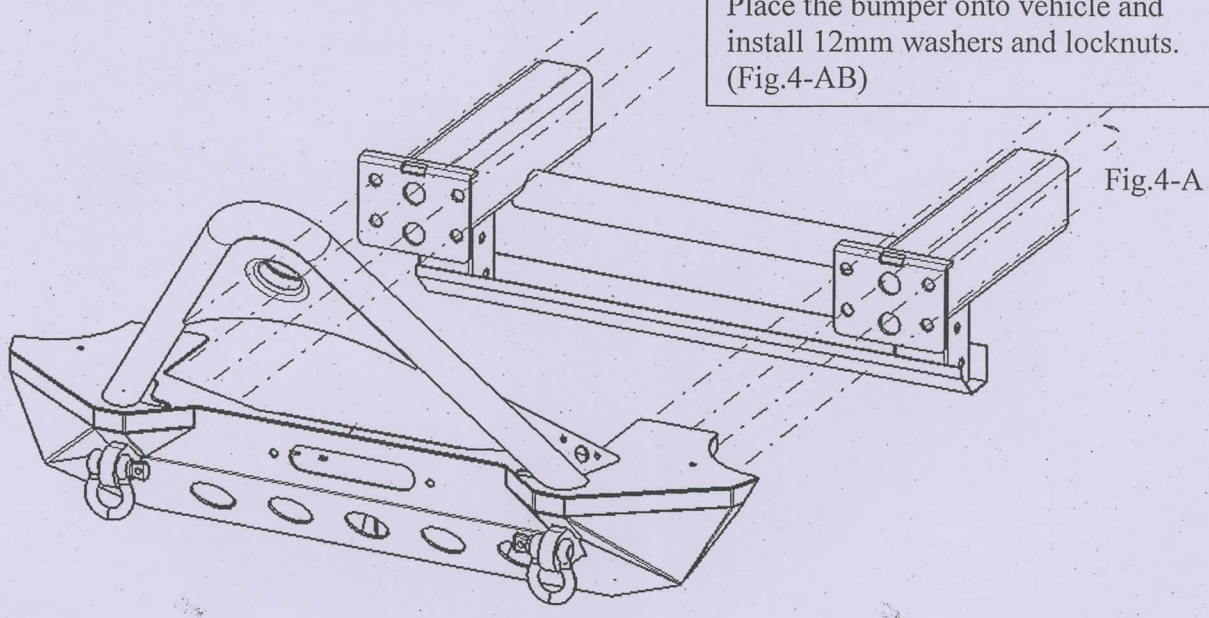


Fig.4-A

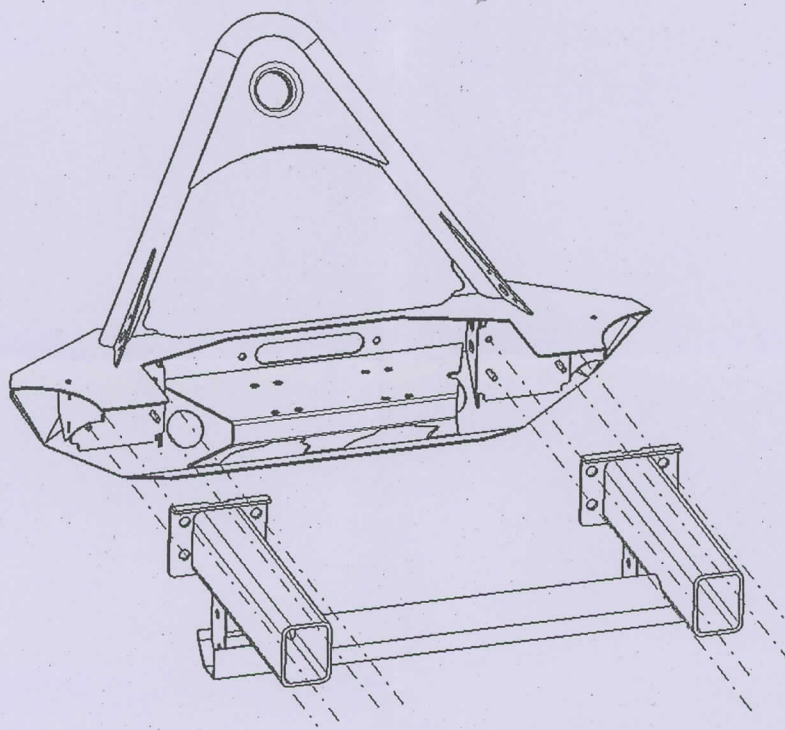


Fig.4-B

Bolt, nut