

# Installation Instructions

Description: BUMPER FOR JEEP WRANGLER JK 12

No.	Description	Qty	Size	No.	Description	Qty	Size
1	Bumper	1		6	Hex bolt	4	M10x30
2	Top Tube	1		7	Hex nut	4	M10
3	Cup head square neck bolts with large head	2	M12x35	8	Hexagon socket button head screw	8	M10x25
4	Hex nut	2	M12	9	Lock washer	16	D10
5	Washer	4	D12	10	Washer	16	D10

## Installation Steps:

1. Reference parts lists and installation drawings, check the accessories are complete.
2. Remove the factory bumper & the frame bracket, to fix the bumper to the frame with the screws. (Fig.1 & Fig.2 & Fig.3AB)
3. All bolts are screwed on and adjust the best position to slowly tighten all bolts.
4. Check for leakage on the bolts, make sure tighten all the bolts.

## Installation Diagram:

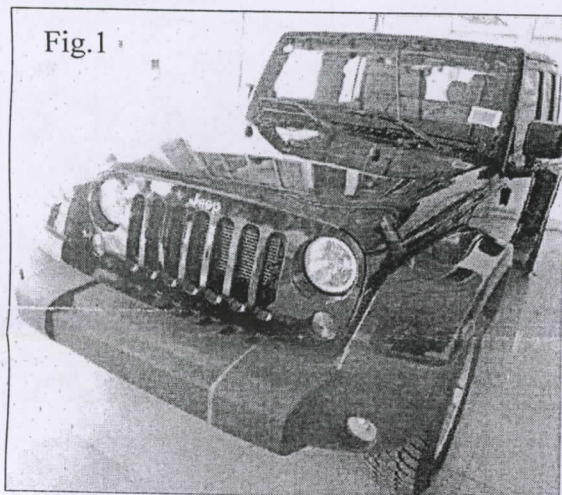


Fig.1

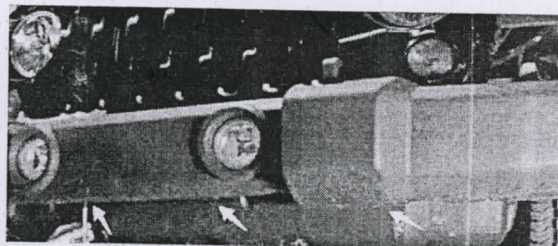
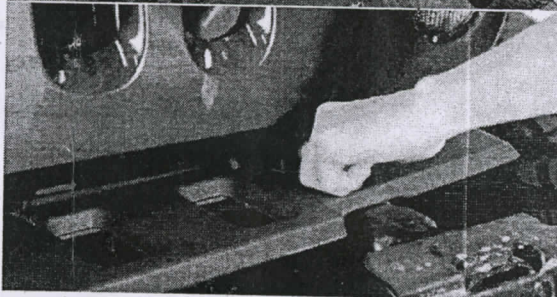
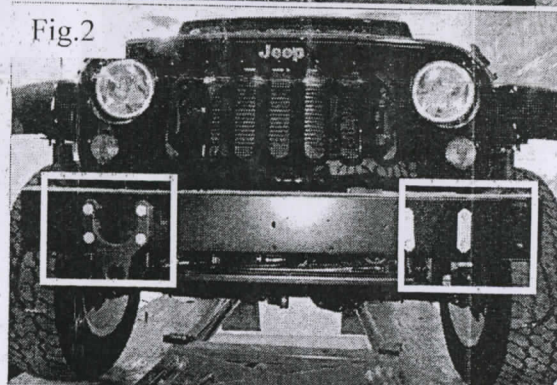


Fig.2



Remove the plastic bumper & the frame bracket (Fig.1 & Fig.2 & Fig.3AB)

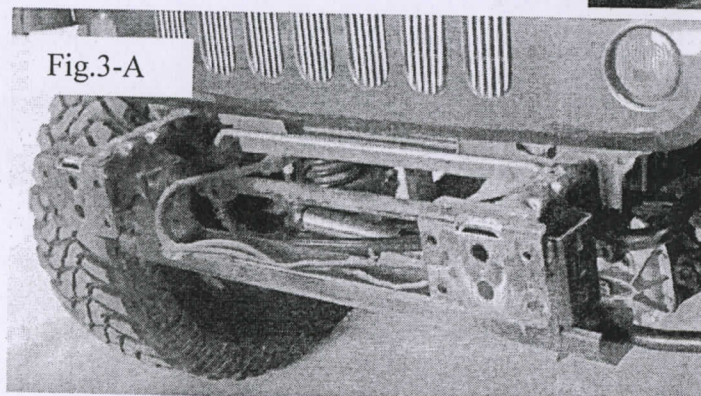


Fig.3-A

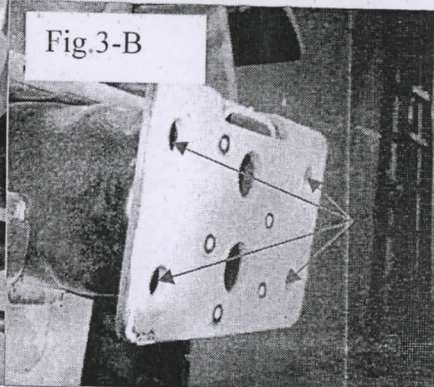


Fig.3-B



Place the bumper onto vehicle and install washers and locknuts. (Fig.4-AB)

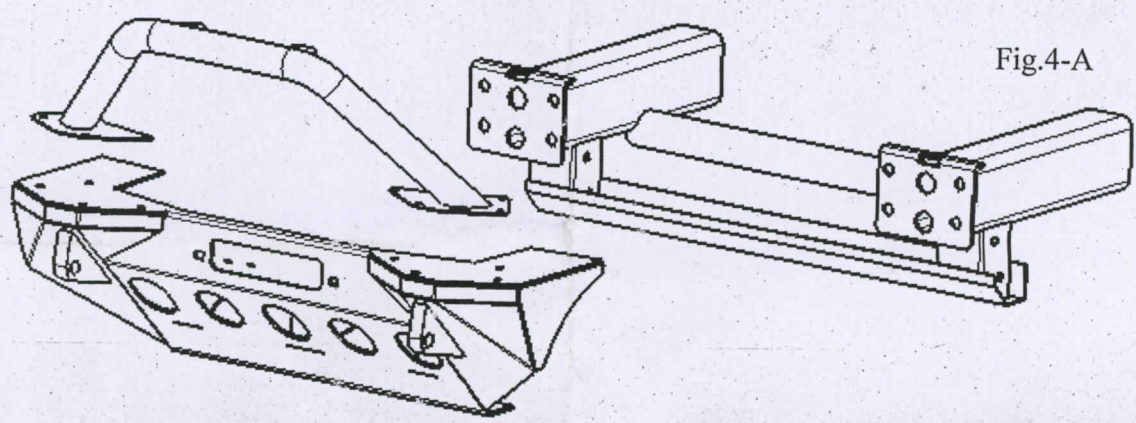


Fig.4-A

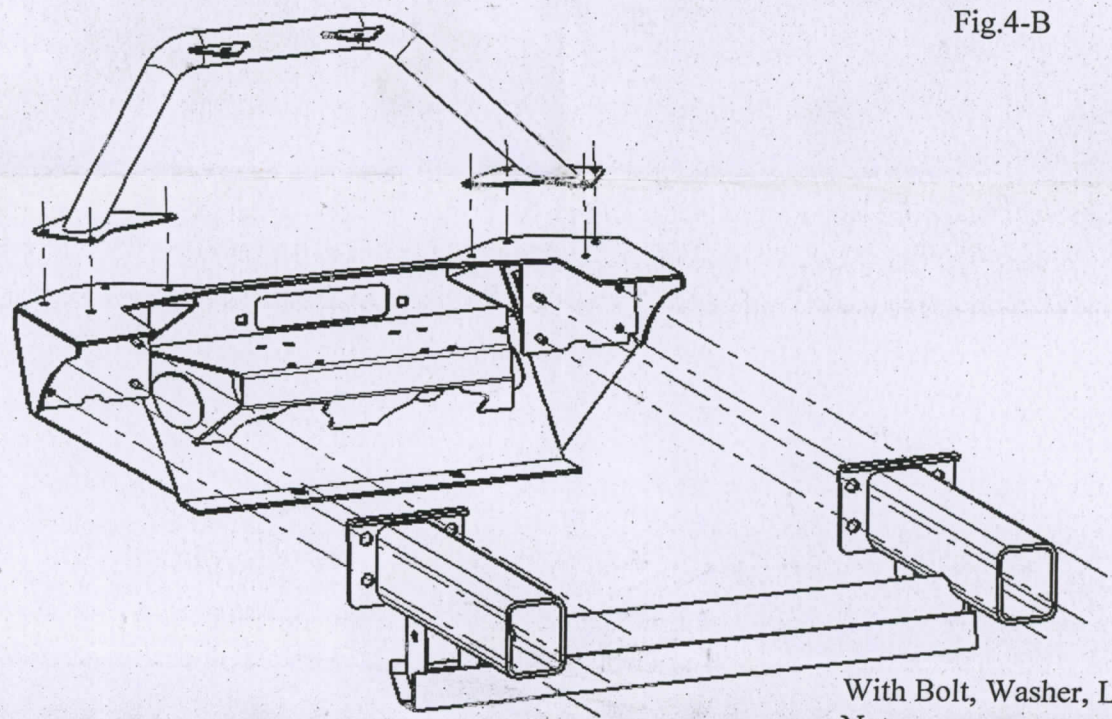


Fig.4-B

With Bolt, Washer, Lock nut, Nut.