

Installation Instructions

Description: BUMPER FOR JEEP WRANGLER JK 12

No.	Description	Qty	Size	No.	Description	Qty	Size
1	Hex bolt	4	M10x40	4	Lock washer	8	D12
2	Nut	8	M12	5	Washer	4	D10
3	Lock washer	4	D10				

Installation Steps:

1. Reference parts lists and installation drawings, check the accessories are complete.
2. Remove the factory bumper & the frame bracket, to fix the bumper to the frame with the screws. (Fig.1 & Fig.2 & Fig.3AB)
3. All bolts are screwed on and adjust the best position to slowly tighten all bolts.
4. Check for leakage on the bolts, make sure tighten all the bolts.

Installation Diagram:

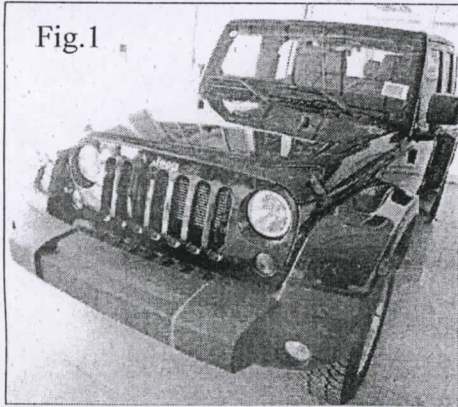


Fig.1

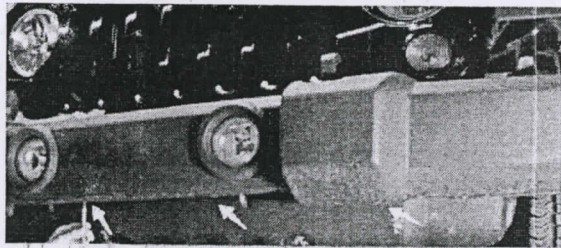
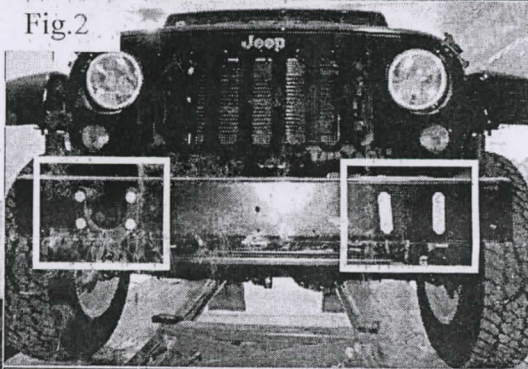
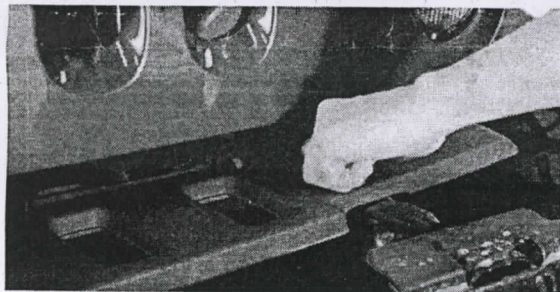


Fig.2



Remove the plastic bumper & the frame bracket (Fig.1 & Fig.2 & Fig.3AB)

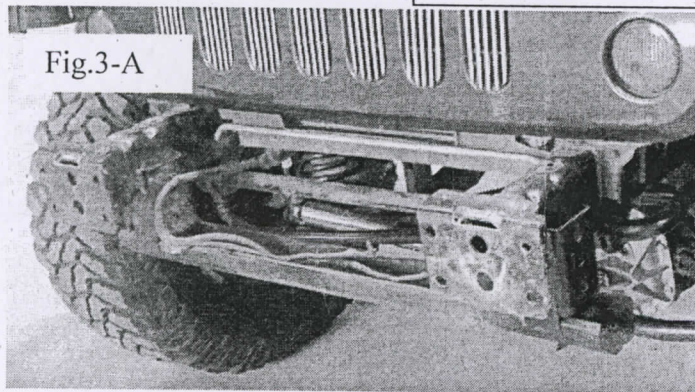


Fig.3-A

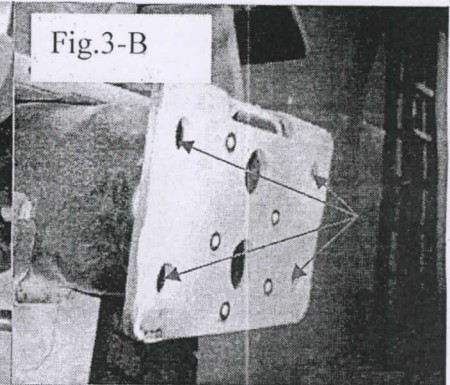


Fig.3-B

Place the bumper onto vehicle and install washers and locknuts. (Fig.4-AB)

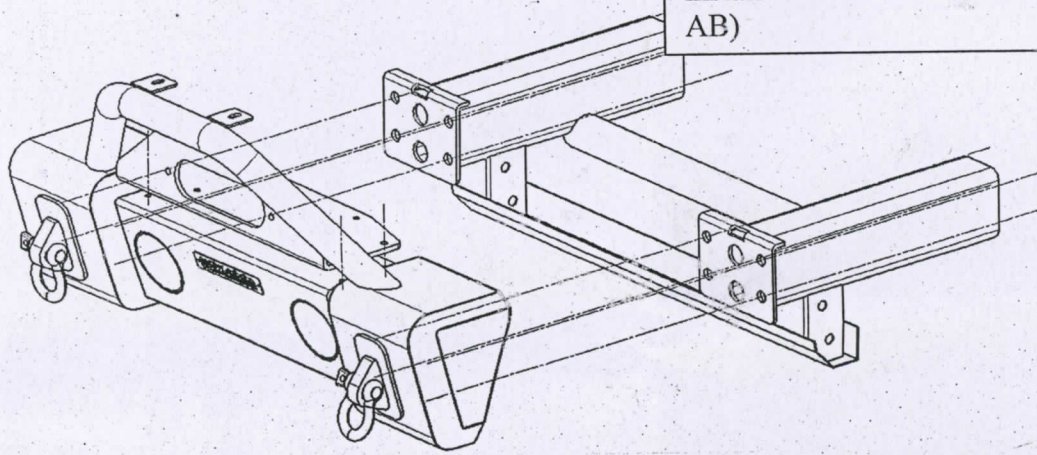
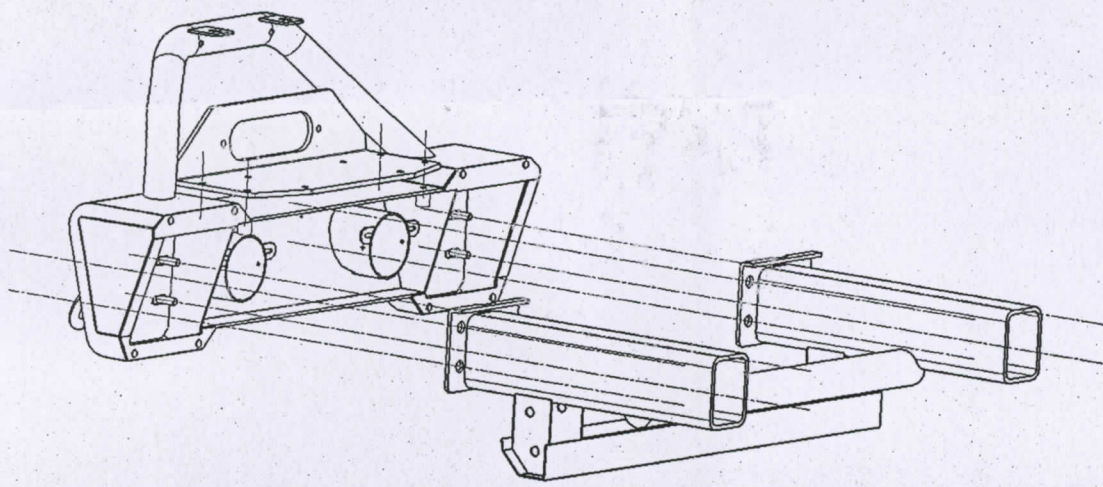


Fig.4-A

Fig.4-B



Washer, Lock nut, Nut.