

Installation Instructions

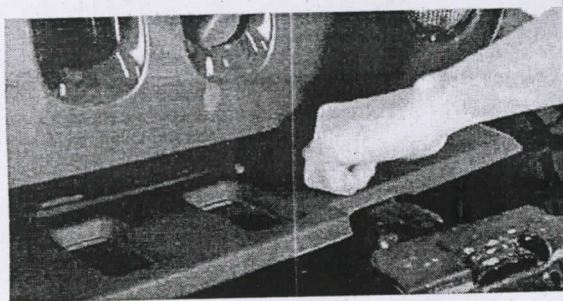
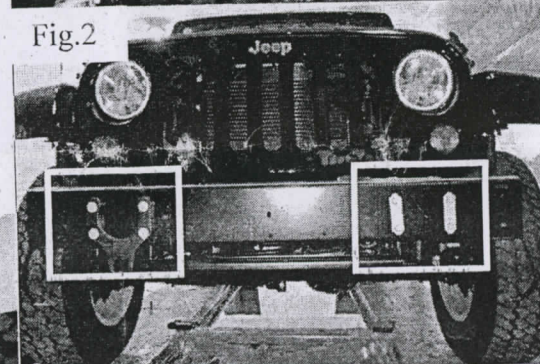
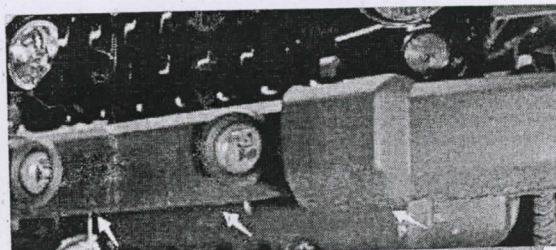
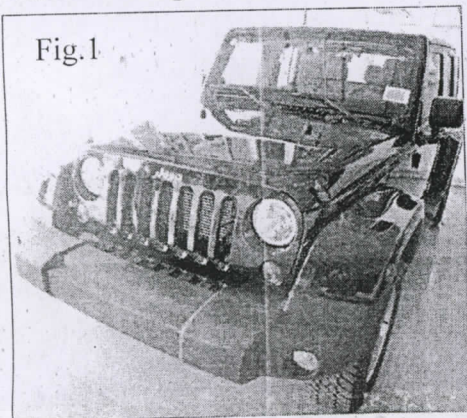
Description: BUMPER FOR JEEP WRANGLER JK 12

No.	Description	Qty	Size	No.	Description	Qty	Size
1	Bumper	1		5	Lock washer	4	D10
2	Winch plate	1		6	Lock washer	8	D12
3	Hex bolt	4	M10*40	7	Washer	4	D10
4	Hex nut with flange	8	M12				

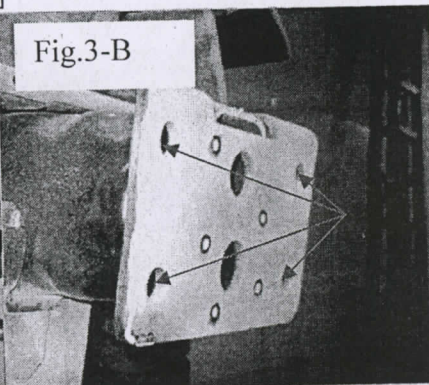
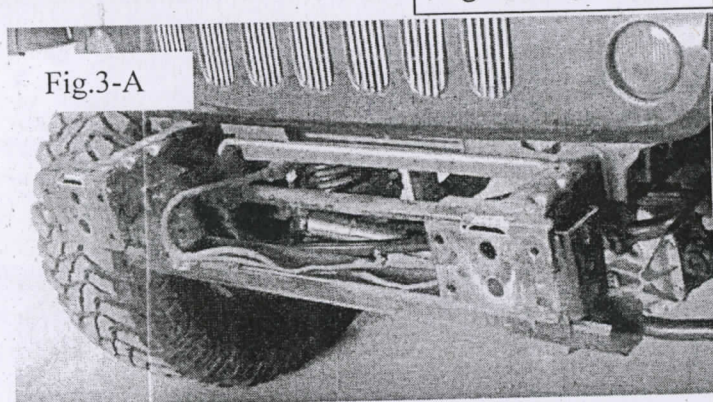
Installation Steps:

1. Reference parts lists and installation drawings, check the accessories are complete.
2. Remove the factory bumper & the frame bracket, to fix the bumper to the frame with the screws. (Fig.1 & Fig.2 & Fig.3AB)
3. All bolts are screwed on and adjust the best position to slowly tighten all bolts.
4. Check for leakage on the bolts, make sure tighten all the bolts.

Installation Diagram:



Remove the plastic bumper & the frame bracket (Fig.1 & Fig.2 & Fig.3AB)



Place the bumper onto vehicle and
install with washers and locknuts.
(Fig.4-AB)

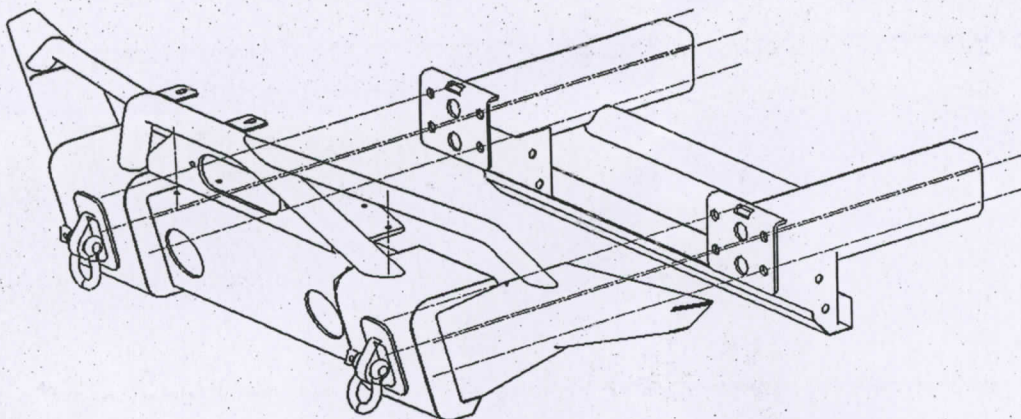


Fig.4-A

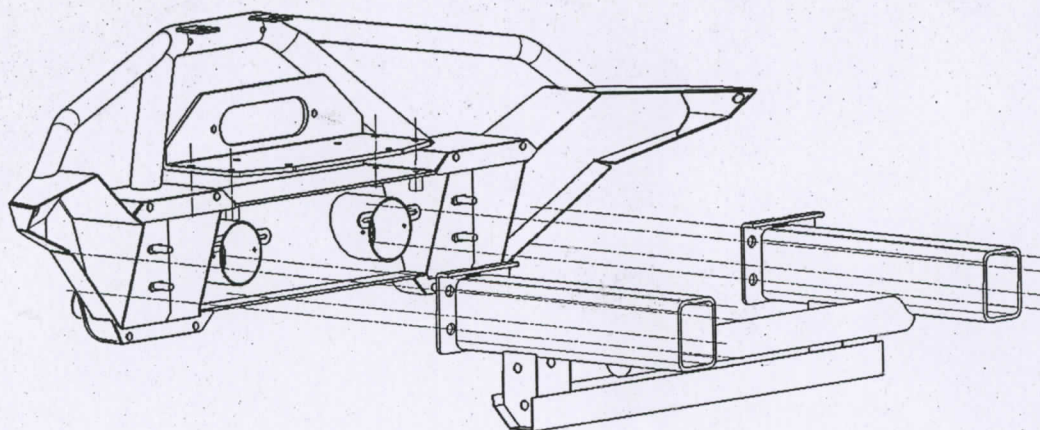


Fig.4-B