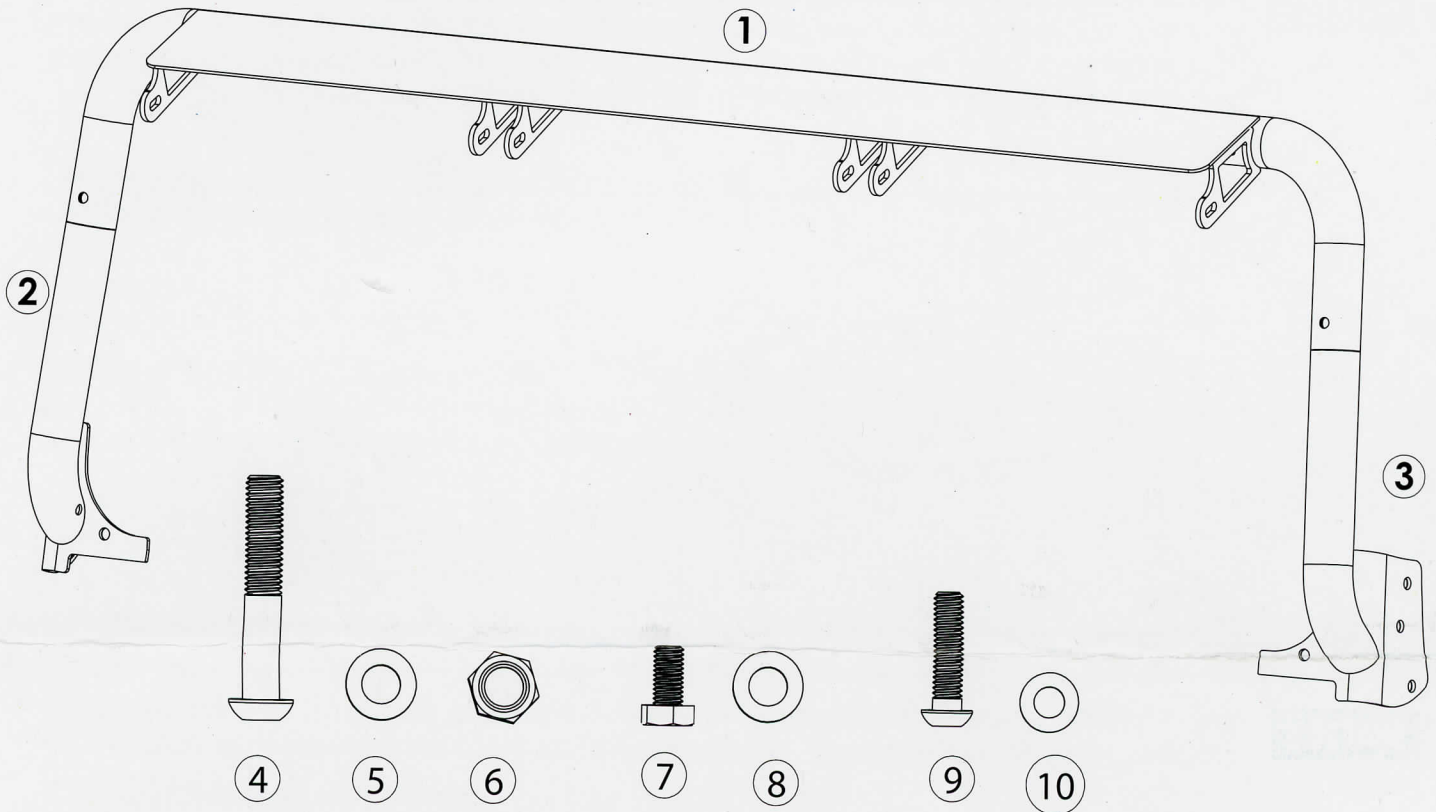


TJ Windshield LED Light Bar



NOTICE

LED lights not included.
 This TJ lightbar is compatible with many 13.5 inch LED designs, however, we recommend using Rugged Ridge® LED SKU: 15209.11 for best results

Components

- 1. Crossbar (1)
- 2. RH Bracket (1)
- 3. LH Bracket (1)

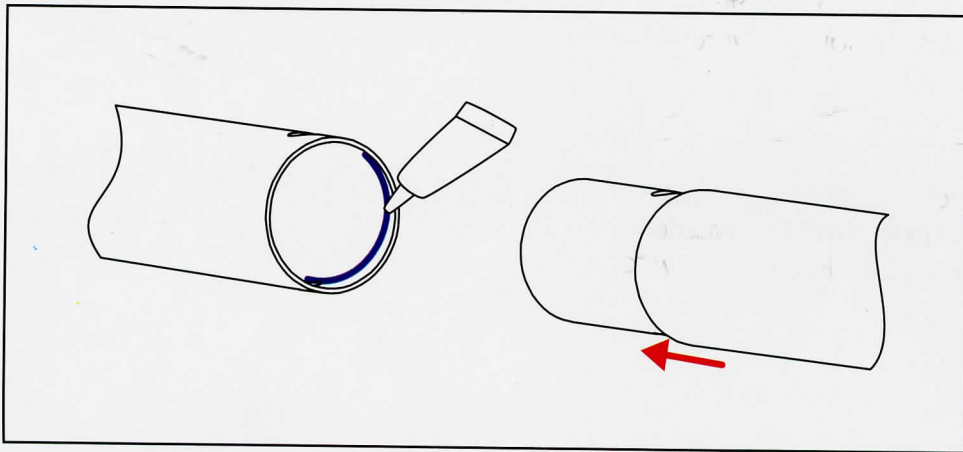
Hardware

- 4. M10 Button Head Bolt (2)
- 5. M10 Flat Washer (4)
- 6. M10 Nylock Nut (2)
- 7. M8 Hex Bolt (6)
- 8. M8 Flat Washer (6)
- 9. 5/16" Button Head Bolt (8)
- 10. 5/16" Flat Washer (8)

TJ Windshield LED Light Bar

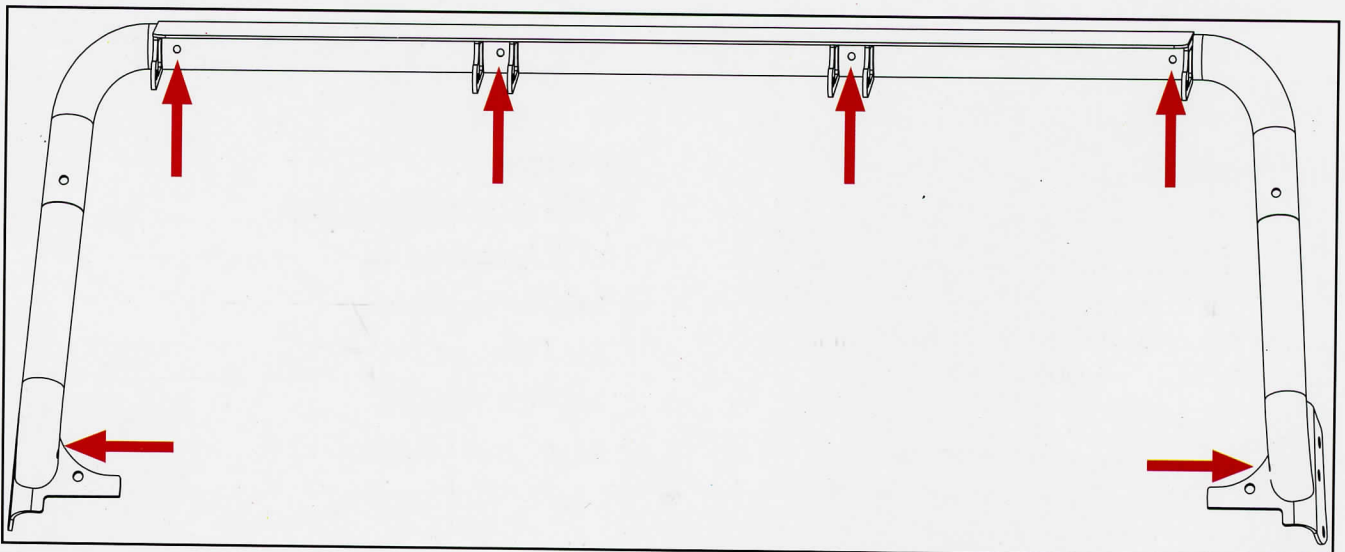
NOTICE

Installer is responsible for ensuring adequate silicone is used and applied correctly to all tubing joints, bolt locations and wire grommets. Apply an even bead of silicone on the inside of the female end. Insert the male end into tube. Silicone may also be used under bolt heads and nuts for additional weatherproofing. The following symbol is a reminder:



NOTICE

When running wire leads during steps 1-3, use pre-drilled holes in the RH & LH bracket and crossbar, where indicated below. Use the three holes that work best with your LEDs.





OMIX-ADA, Inc.

460 HORIZON DR. SUITE 400 | SUWANEE, GA 30024 | PHONE: 770-614-6101 | FAX: 770-614-6069 | info@omix-ada.com

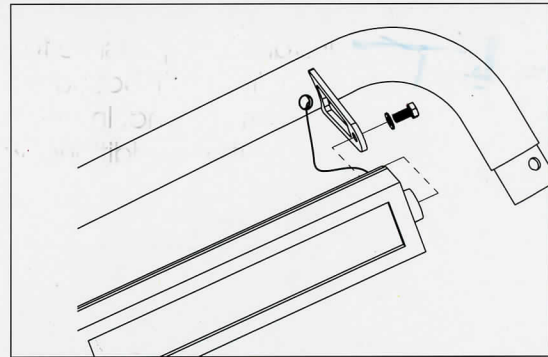
11232.08

TJ Windshield LED Light Bar

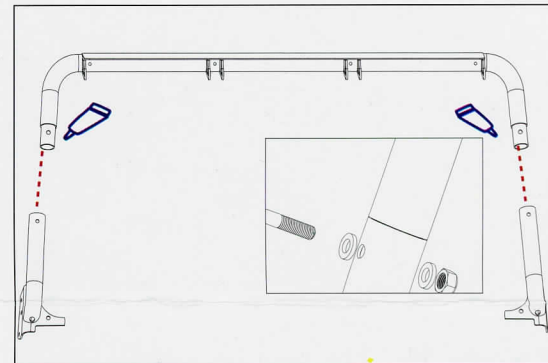
1. Attach 13.5 inch LED bars to the crossbar. M8 hex bolts with washer are supplied for mounting Rugged Ridge® LEDs. Use holes in front of crossbar and underside of RH or LH bracket for routing wires.

NOTICE

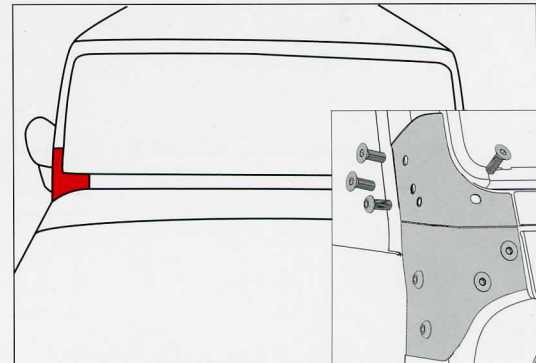
If other manufacturers' lights are used, additional hardware may be required.



2. Attach LH and RH brackets to crossbar with supplied M10 button head bolts, M10 Flat Washers, and M10 lock nut. Do not tighten completely to allow for adjustment.



3. Using a T40 Torx driver, remove the 4 factory bolts from the upper portion of the LH and RH windshield hinge.



4. Install assembly to vehicle using supplied 5/16" button head bolts and washers. Adjust fitment if necessary and securely tighten all bolts.

CAUTION

Use of tape on the a-pillar, cowl, and fender is recommended to prevent damage to vehicle's finish.

Two people are also recommended for this step: One on each side.

