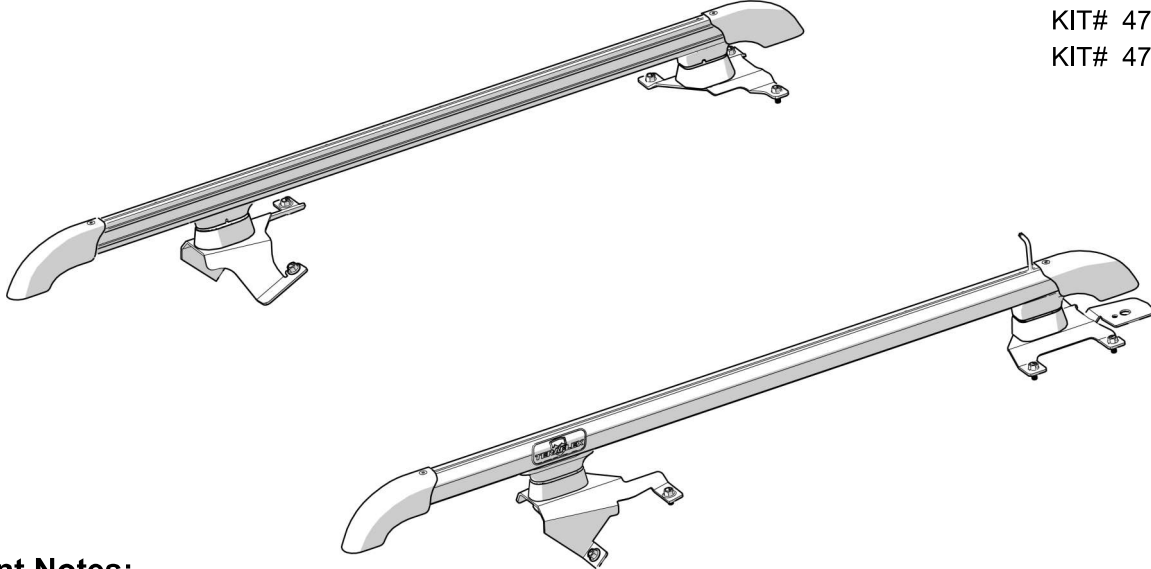




JK Nebo Roof Rack Main Rail Kit

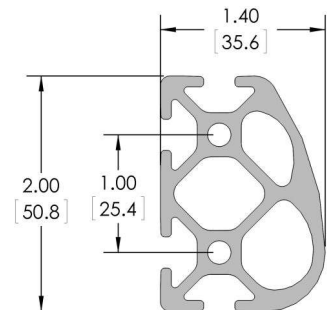
Instructions

KIT# 4722000
KIT# 4722010



Important Notes:

- **Patent Pending Design**
- **CAUTION: 2007-2010 Hardtops:** Before beginning installation, contact TeraFlex (801-288-2585) for different front lower feet, part numbers 722147 & 722148 (replaces 722141 and 722142)
- Prior to beginning this installation, read these instructions to familiarize yourself with the required steps and evaluate if you are experienced and capable to personally perform these modifications. A factory service and owners manual should be used in conjunction with these installation instructions.
- Refer to the parts list to ensure that all necessary components and hardware has been included. If any parts are missing please contact your local TeraFlex dealer for assistance.
- Width between rails: 43" [1090mm]
- Length of rails between caps: 45.5" [1154mm]
- Height added from crown of hardtop 2-3/8" [60.5mm]
- Load Rating: See section 1 for the owners manual for important notes to help safely load the rack.
 - 850 lbs [385 Kg] static
 - 200 lbs [90 Kg] dynamic.
- Weights:
 - Main rail kit 25 lbs [11.3 Kg]
 - 6 Slat kit: 29lbs [13.2 Kg]

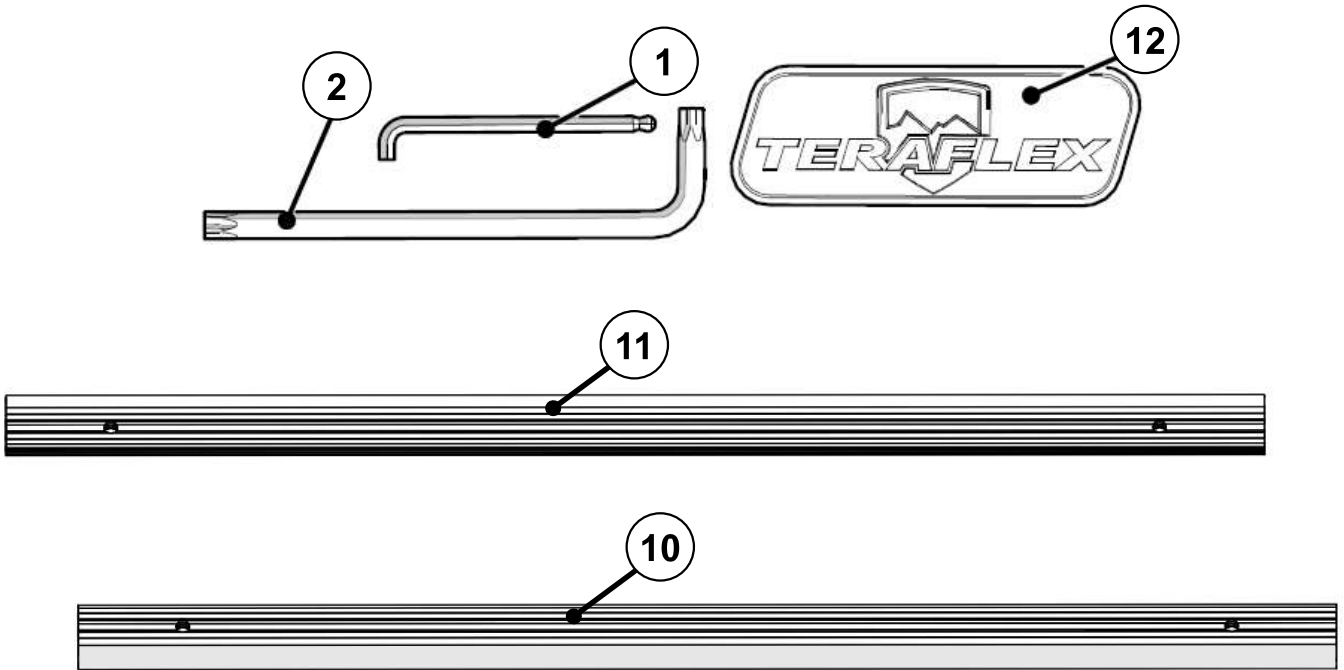


Tools needed:

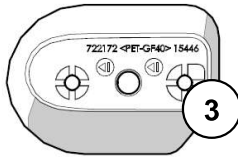
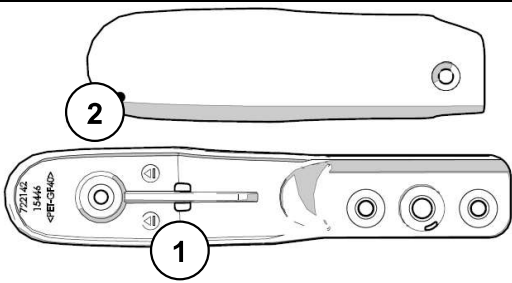
- This installation guide
- 12mm and 13mm Open End Wrench
- 10mm, 12mm and 13mm Sockets and Wrench
- X-ACTO Knife
- Ruler
- Drill
- Helper
- 1/4" and 11/32" Brad tip drill bits for fiberglass, A standard drill bit can be used but may cause more chips. We have found that the Ultra-tool 510BR 1/4" #51216 and 510BR 11/32" #5122 brad tip bits work well.

YouTube

To watch the install video go to:
<https://youtu.be/TBh52naAH50>

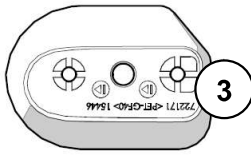
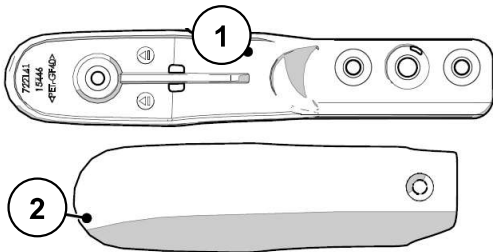


JK 4 Door Nebo Roof Rack Main Rail Kit Silver #4722000 / Black #4722010			
Item #	Part #	Description	QTY
1	392	4mm Stubby Hex L-Key Allen Wrench	1
2	393	T40 Torx L-Key Tool	2
-	600198	Warning Sticker Chromium	1
-	722197	JK 4DR Roof Rack Hole Templates	1
See pg. 3	772250	JK Roof Rack Boxed Subassembly for Plastic Parts with Hardware	1
10	772201 / 772401	JK Roof Rack Extruded Main Rail Driver Side Silver Color / Black Color	1
11	772100 / 772400	JK Roof Rack Extruded Main Rail Passenger Side Silver Color / Black Color	1
12	801	JK Roof Rack Badge	2



Hardware Pack
#772251

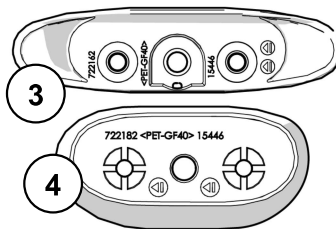
Passenger Front Corner			
ID	Part #	Description	QTY
1	722142	Front Pass. Lower Foot	1
2	722152	Front Pass. Upper Cap	1
3	722172	Front Pass. Hardtop Spacer	1
-	772251	Hardware Pack (see pg. 4)	1



Hardware Pack
#772251

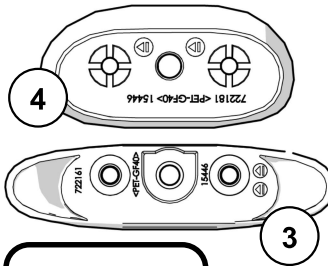
Driver Side Front Corner			
ID	Part #	Description	QTY
1	722141	Front Driver Lower Foot	1
2	722151	Front Driver Upper Cap	1
3	722171	Frnt Driver Hardtop Spacer	1
-	772251	Hardware Pack (see pg. 4)	1

Passenger Rear Corner			
ID	Part #	Description	QTY
1	722122	Rear Pass. Lower Foot	1
2	722132	Rear Pass. Upper Cap	1
3	722162	Rear Pass. Rail Support	1
4	722182	Rear Pass. Hardtop Spacer	1
-	772252	Hardware Pack (see pg. 4)	1

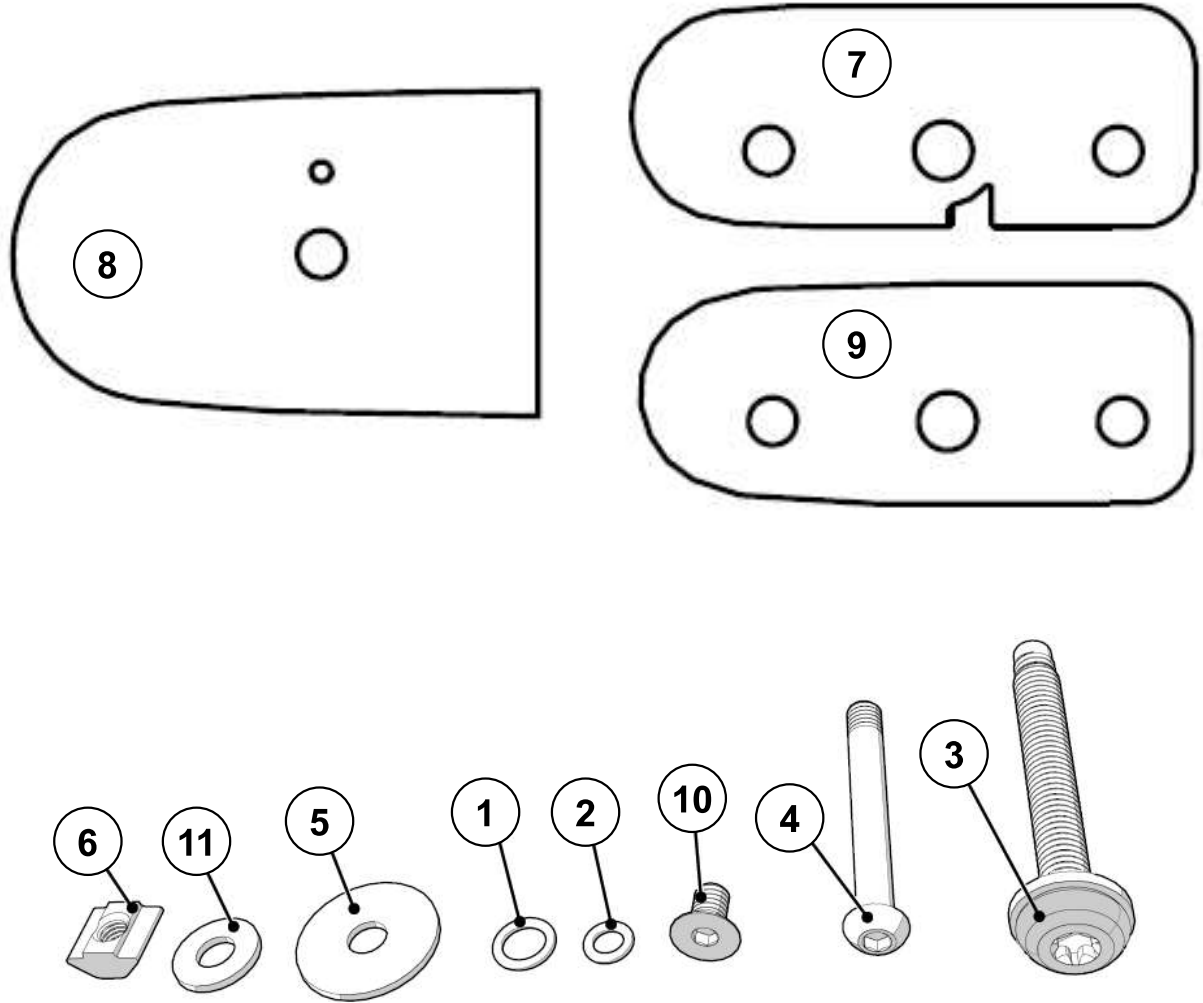


Hardware Pack
#772252

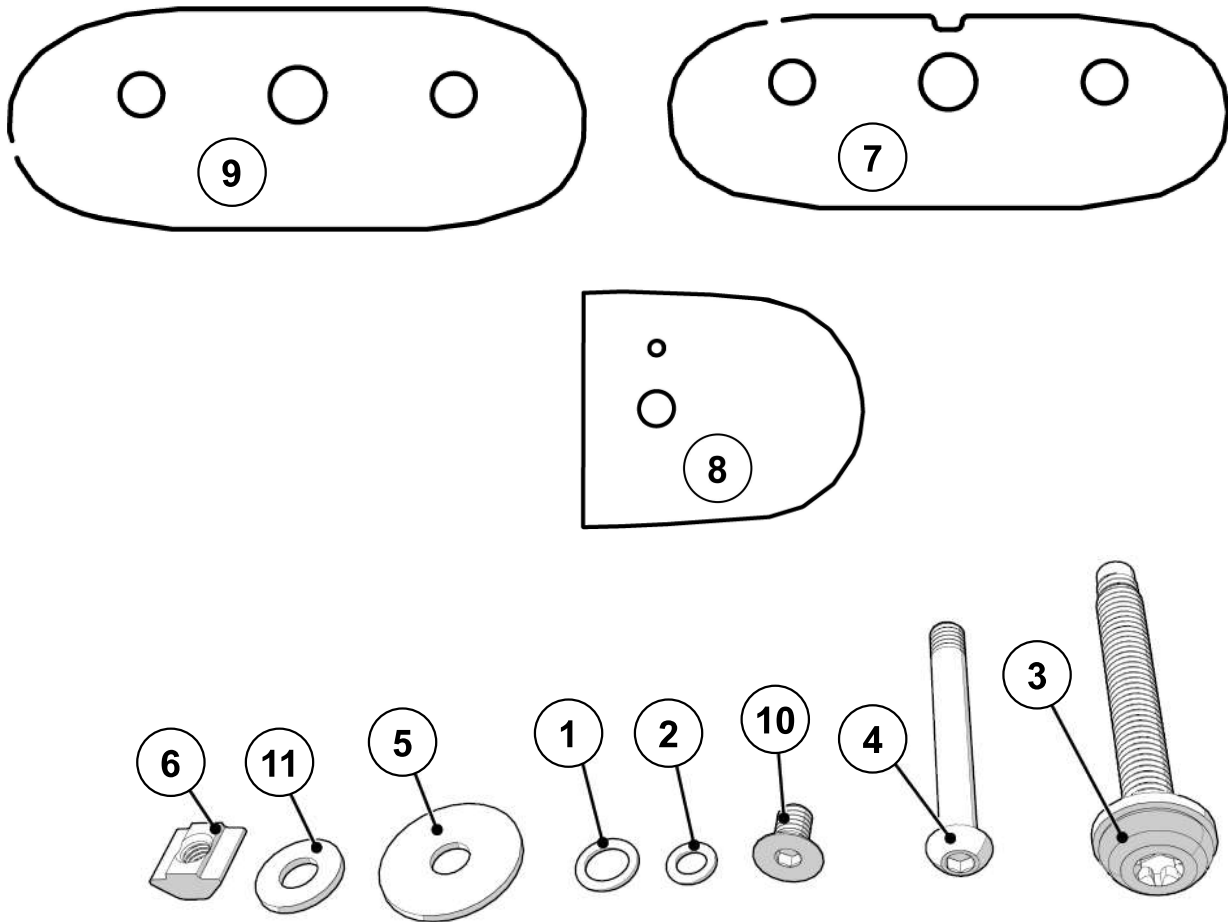
Driver Rear Corner			
ID	Part #	Description	QTY
1	722121	Rear Driver Lower Foot	1
2	722131	Rear Driver Upper Cap	1
3	722161	Rear Driver Rail Support	1
4	722181	Rear Driver Hardtop Spacer	1
-	772252	Hardware Pack (see pg. 4)	1



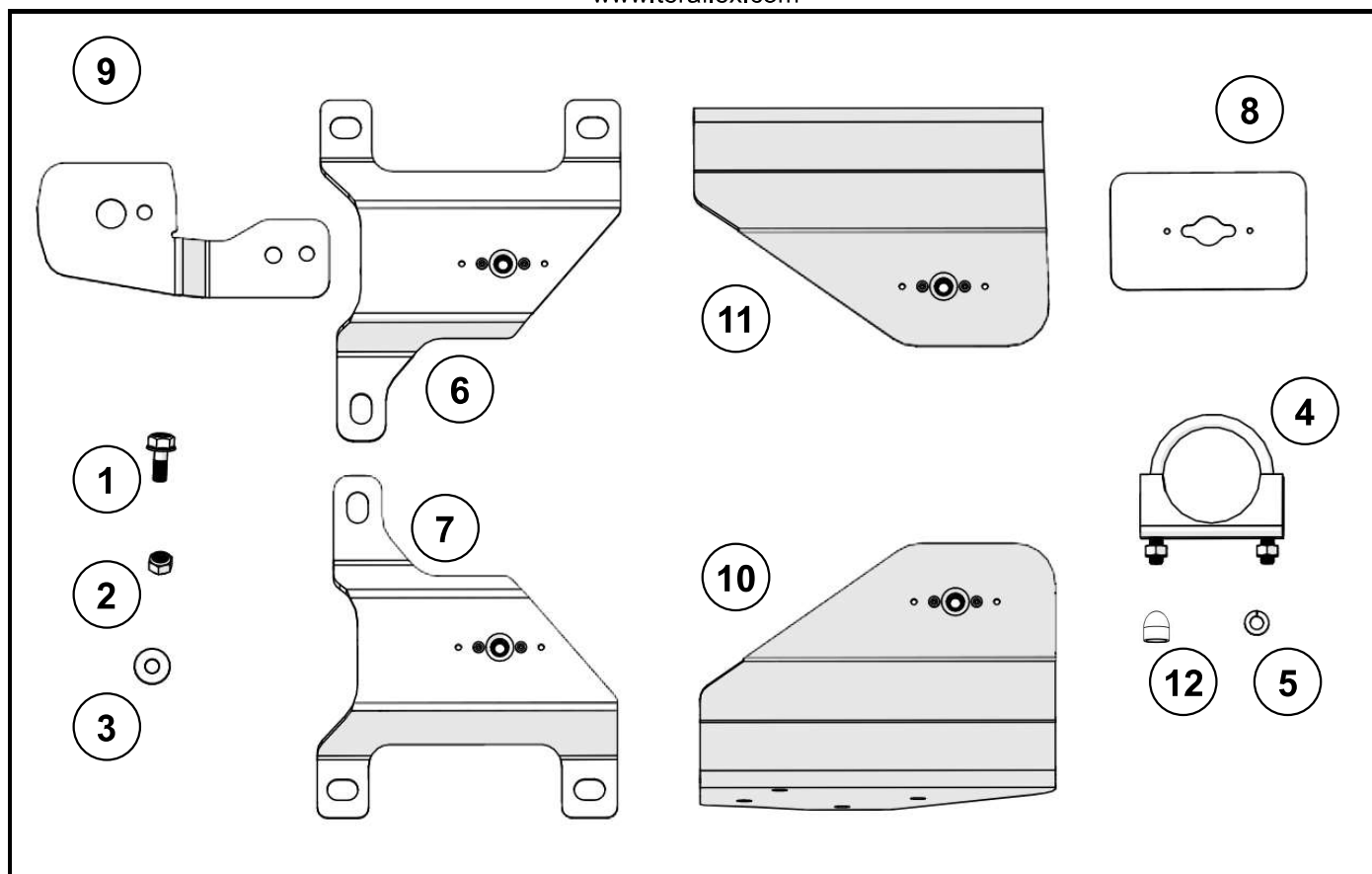
Hardware Pack
#772252



772354 Front Corners Hardware Pack (2 Total)			
Item #	Part Number	Description	QTY per pack
1	2035	Big O-Ring	2
2	2036	Small O-Ring	4
3	220	M8 x 1.25 x 55mm Torx Bolt	1
4	225	M6 x 1 x 50mm Button Socket	3
5	459	1/4" Bigger Washer	1
6	651390	M6 x 1 T-Nut	3
7	722143	Front Foot Gasket	1
8	722145	Front Cap Gasket	1
9	722173	Under Roof Support Gasket	1
10	729	M6 x 1 x 10mm Flat Socket Cap	1
11	730	1/4" Smaller Washer	4



Rear Corners Hardware Pack (2 Total)			
Item #	Part Number	Description	QTY per pack
1	2035	Big O-Ring	2
2	2036	Small O-Ring	4
3	220	M8 x 1.25 x 55mm Torx Bolt	1
4	225	M6 x 1 x 50mm Button Socket	3
5	459	1/4" Bigger Washer	1
6	651390	M6 x 1 T-Nut	4
7	722123	Rear Cap Gasket	1
8	722163	Rear Rail Support Gasket	1
9	722183	Rear Under Roof Gasket	1
10	729	M6 x 1 x 10mm Flat Socket Cap	2
11	730	1/4" Smaller Washer	4



Roof Rack Bracket Components # 772352

Item #	Part #	Description	QTY
1	164	Bolt M8 x 1.25 P x 20mm Long Flanged Hex Head Zinc Plated Grade 10.9	3
2	169	Nut M8 x 1.25 pitch Nylock Hex zinc	1
3	23	Washer 5/16" Flat Black Coated for JK Spare Tire Carrier	4
4	17161	Roof Rack Roll Bar Clamp, 2.25" Exhaust	4
5	256	Lock Washer 5/16" Zinc Plated	8
6	772230	JK Roof Rack Front Passenger Side Bracket	1
7	772231	JK Roof Rack Front Driver Side Bracket	1
8	772218	JK Roof Rack Shim	5
9	772238	JK Satellite Antenna Relocation Bracket for JK Roof Rack	1
10	772272	Roof Rack, JK 2-Door, Rear Passenger Side Bracket, Powder Coated	1
11	772273	Roof Rack, JK 2-Door, Rear Driver Side Bracket, Powder Coated	1
12	851	Push-On Round Cap, Vinyl, 1/4" I.D. x 5/16" O.D. x 1/2" Inside Height	8

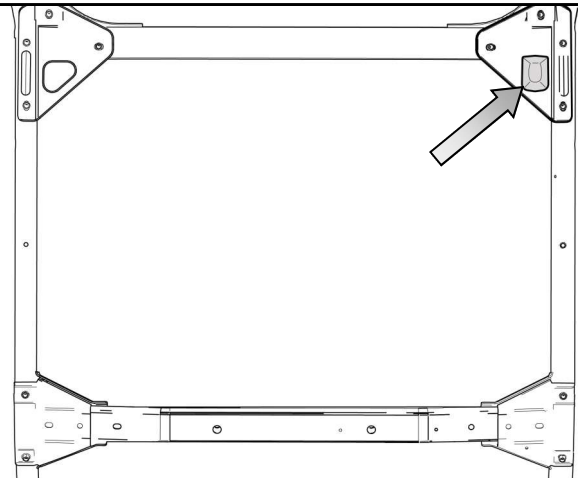
Hard top Removal

Use the factory supplied owners manual to remove the freedom panels, and then the hard top from the vehicle

Note to Installer:

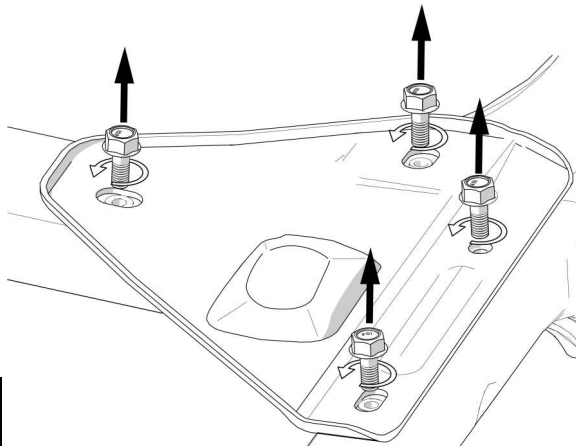
Please be sure that the end user receives the instructions and owners manual after installation.

Satellite antenna removal



1

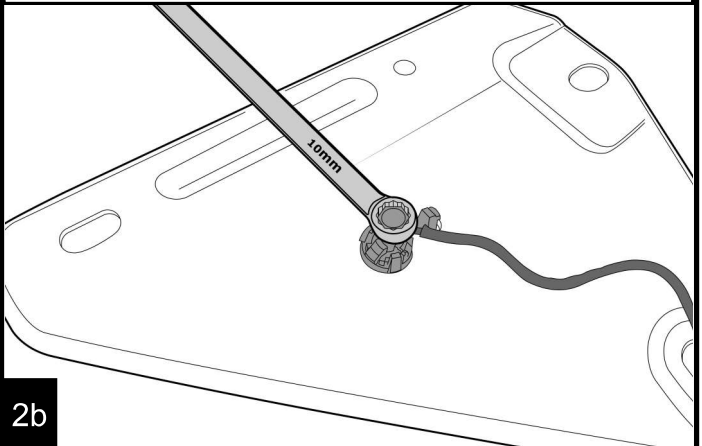
Unzip the sport bar padding at the cross bar behind the passenger seat. Using a 13mm, remove the 4 fasteners to remove the mounting plate with the antenna (1) attached.



2a

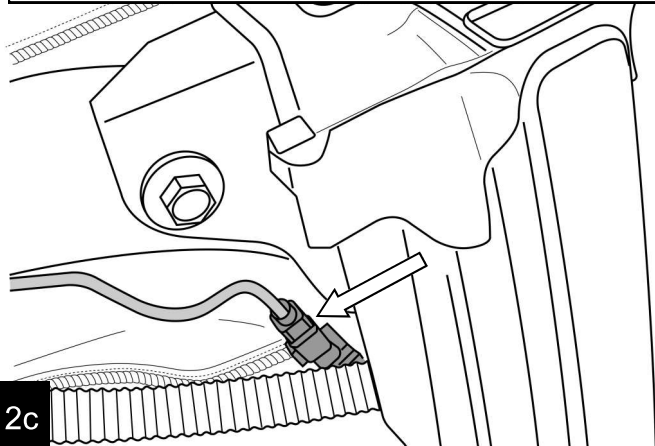
2

Using an 10mm wrench, remove the antenna mounting bolt and standoff spacer. Press in the lock tabs on the antenna and push the antenna out of the mounting plate.



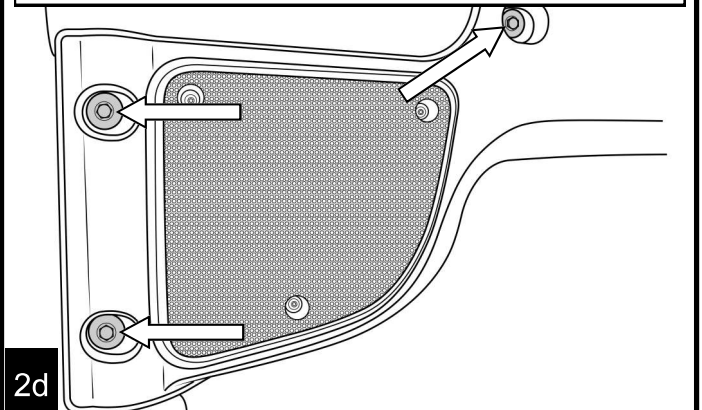
2b

Locate the antenna connector along the passenger side B-pillar, then disconnect the connector



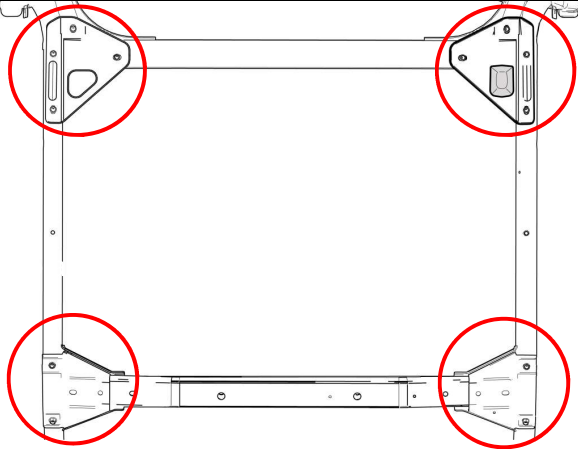
2c

Using a 10mm socket, loosen the three screws on the passenger side of the speaker pod, gently pull down so the antenna connector can be removed. After the connector is removed, tighten the three screws to 90 in-lbs (10 Nm).



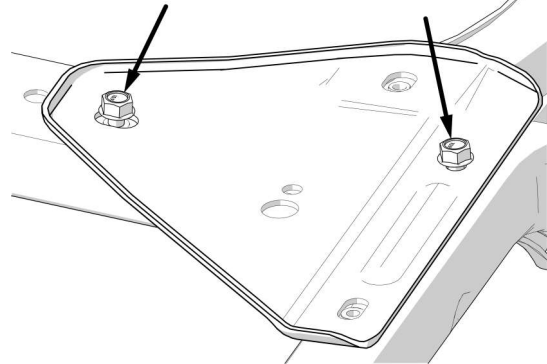
2d

Use the following steps to make slits in the sport bar padding at the locations shown.



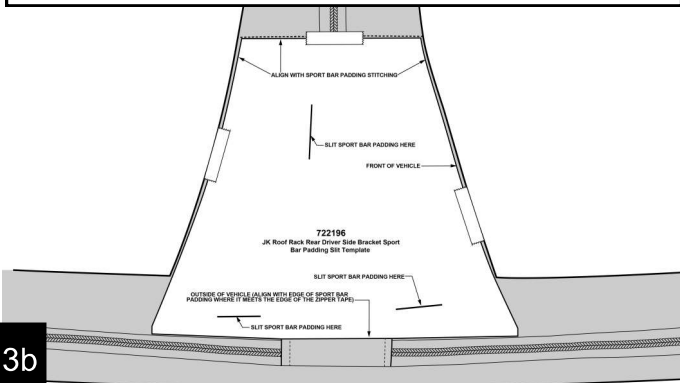
3

Using 2 of the existing M8 fasteners, temporarily reinstall the passenger side mounting plate as shown. Unzip and insert cardboard under the padding at the 4 locations shown in step 1 to avoid scratching the plates when making the cuts. Zip the sport bar padding up completely before slitting.



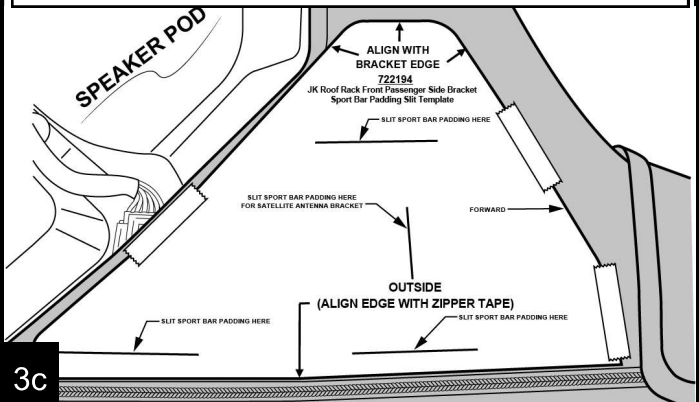
3a

Cut out the templates and align the outside edge of the rear passenger template (722196) to the edge of the zipper tape. The other edges will align to the stitched seams. Use a ruler and sharp X-ACTO knife to slit the padding in the 3 locations marked on the template.



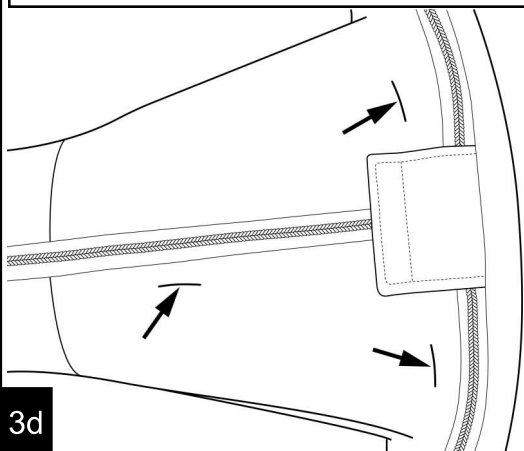
3b

Align the outside edge of the front passenger template (722194) to the edge of the zipper tape. The other edges will align with the mounting plate under the padding. Slit the padding in the 4 locations marked on the template.



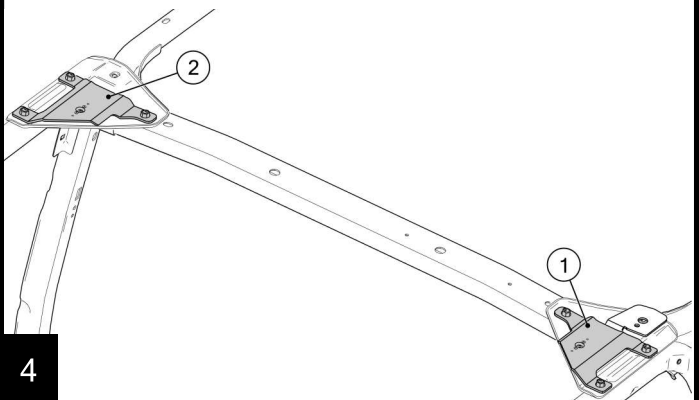
3c

Repeat steps 3 and 4 for the driver side, cutting where indicated. Unzip the padding and discard the cardboard, leave the padding unzipped.



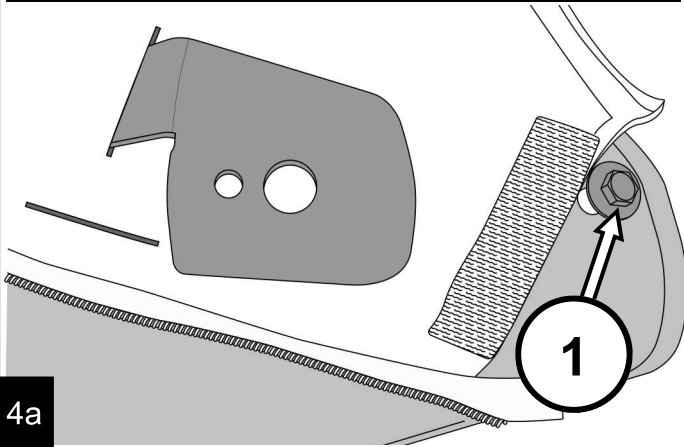
3d

Install the front #772230 passenger (1) and #772231 driver (2) brackets.



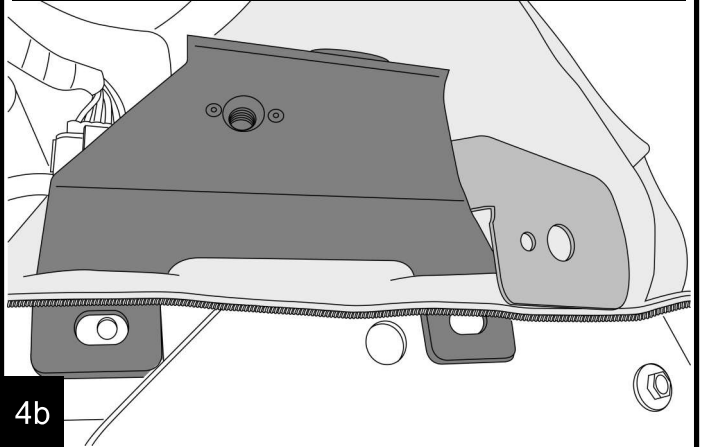
4

Remove the base plate again as outlined in step 2a. Then slip the antenna bracket through the slit in the padding. Insert the front mounting plate screw (1) through the front hole.



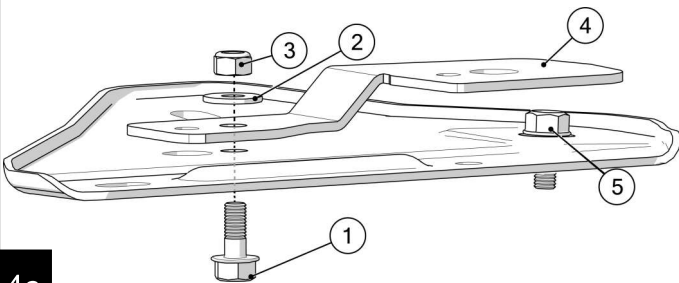
4a

Slip the three tabs of the front passenger support brackets through the padding. It is easiest to slip the inside tab first then the two outer tabs one at a time.



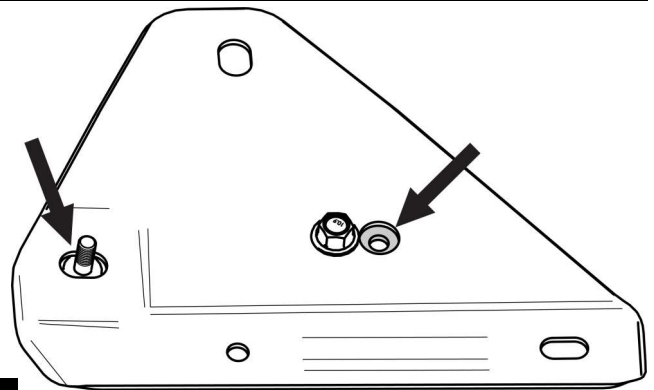
4b

Use a 13mm socket and 12mm open end wrench to attach the new #7722388 satellite antenna bracket (4) to the base plate with the new #164 8mm bolt (1), #23 washer (2), and #169 nut (3). Be sure the OEM M8 bolt (5) is inserted through the hole of the mounting plate. Note: Padding omitted on drawings for clarity, but the tabs should be already inserted in the slits.



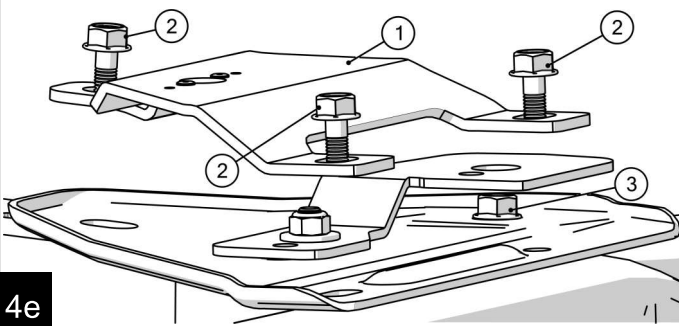
4c

Rotate the satellite bracket until the second holes line up in the satellite and the mounting plate. Note: Be sure the OEM bolt is still inserted in the hole of the mounting plate.



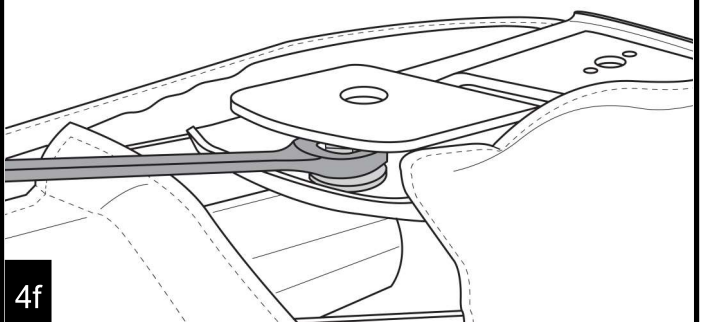
4d

Install the #772230 bracket (1) and OEM mounting plate with the OEM M8 hardware (2) and (3). **(APPLY THREAD LOCK TO BOLTS)** Use a 13mm open end wrench to tighten screw (3) to 14 ft-lbs (19 Nm). Leave the other three M8 bolts (2) loose so the bracket can be shifted easily.



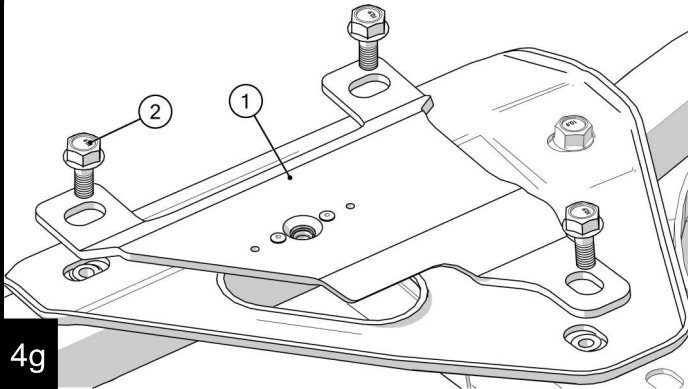
4e

Caution: Check to be sure that the OEM mounting plate screw that is under the new antenna bracket is tight. The sport cage will squeak if loose!



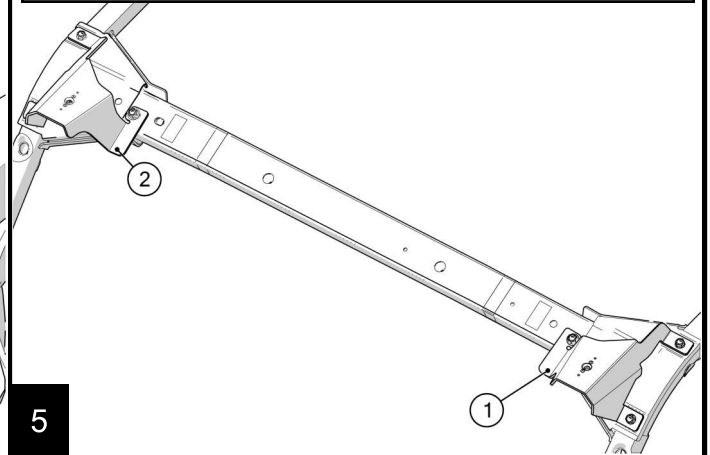
4f

Slip the tabs of the #772231 front drivers side bracket (1) through the slit as shown in 4b, then repeat steps 4c-4e for the front driver side bracket.



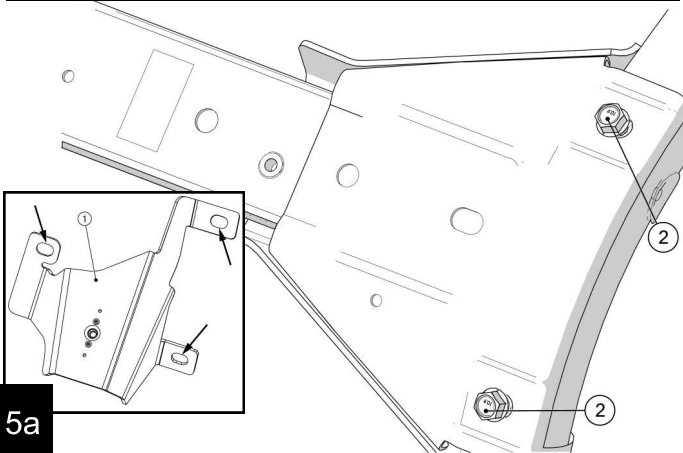
4g

Install the rear #772240 passenger (1) and #772241 driver (2) brackets.



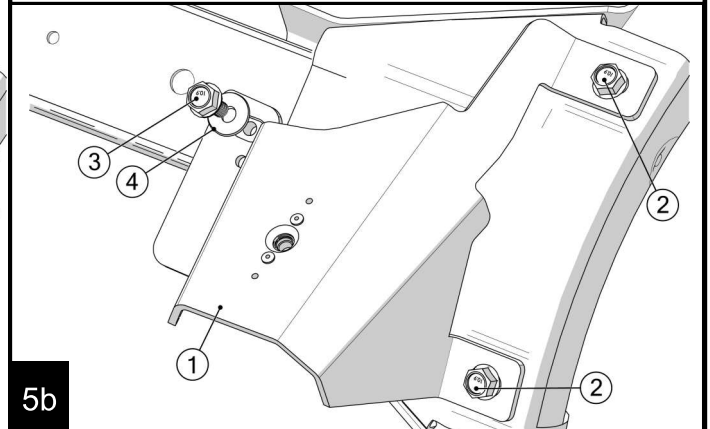
5

At rear passenger cross bar, remove the screws (2) as shown. Slip the three ears of the #772240 bracket (1) through the sport cage padding. Note: Padding is omitted on drawings for clarity.



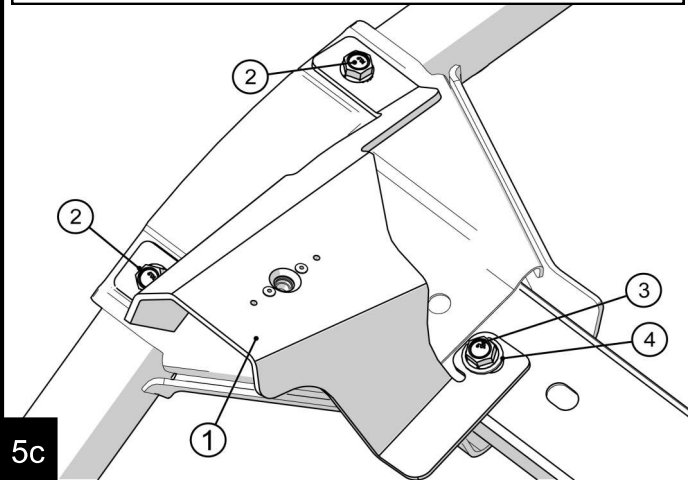
5a

Loosely install the OEM bolts (2) through #772240 bracket (1). For the inside hole, use the #164 M8 bolt (3) and #23 washer (4). Note: Padding is omitted on drawings for clarity, but the tabs should already be inserted through the slits.



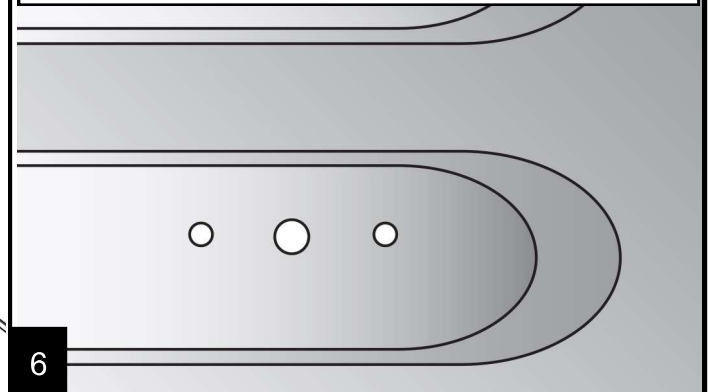
5b

Repeat steps 5a and 5b for the #772241 Rear Driver Side Bracket (1).



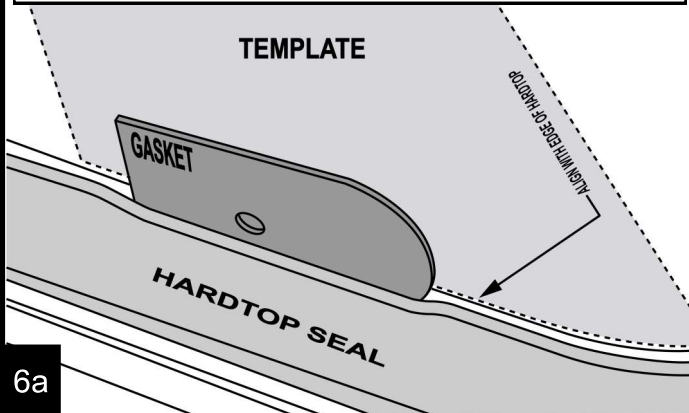
5c

Drilling the hard top
CAUTION 2007-2010 hardtops: Obtain the #722147 and #722148 front feet from TeraFlex before drilling.



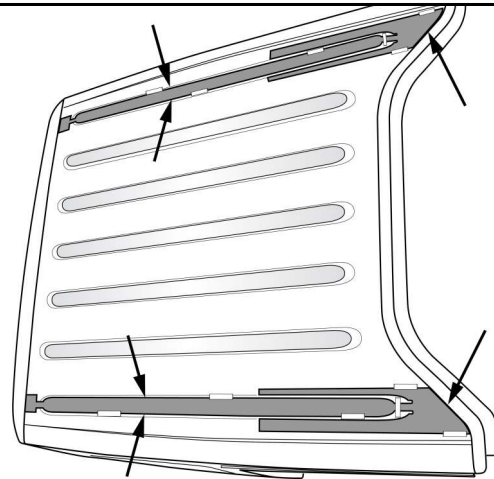
6

Cut out the templates, then slip roof rack foot gasket between the front hardtop seal and the edge of the hardtop. Use the gasket as an edge to align the front of the template to the edge of hard top.



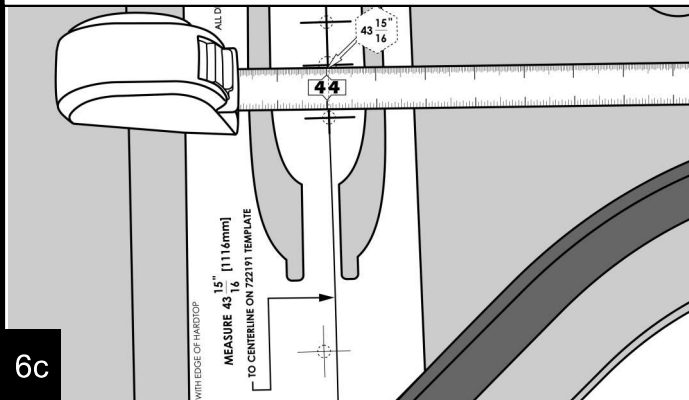
6a

Center templates on outside rib as shown. Hold templates with a small length of painters tape.



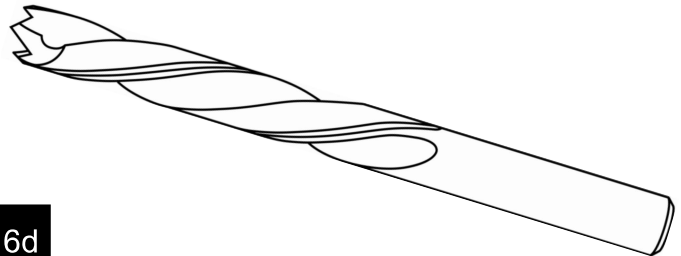
6b

Adjust templates so they are both centered on the rib and measure 43-15/16" [111.6cm] from centerline to centerline. Measure across hard top at both the front and the rear 11/32" [8.7mm] holes. When the measurement is correct secure template with painters tape.



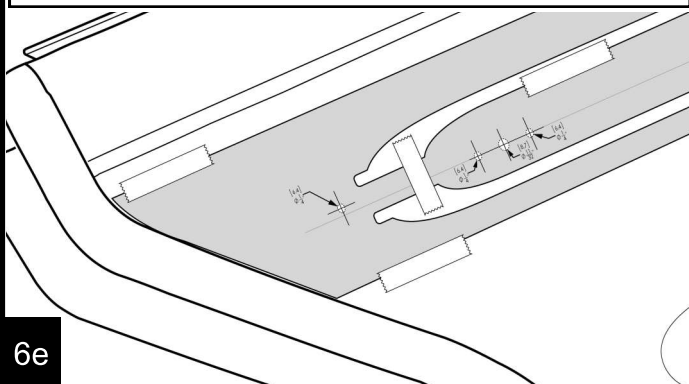
6c

Note: For the cleanest cut in fiberglass we recommend brad tipped bits. We have found the Ultra Tool #51222 (510BR 11/32) and the #51216 (510BR 1/4) make very clean cuts. If care is taken, a multi-purpose bit may be used, be sure to use light pressure to reduce chipping.
Note: The holes will be completely covered with the gaskets and brackets when the install is completed.



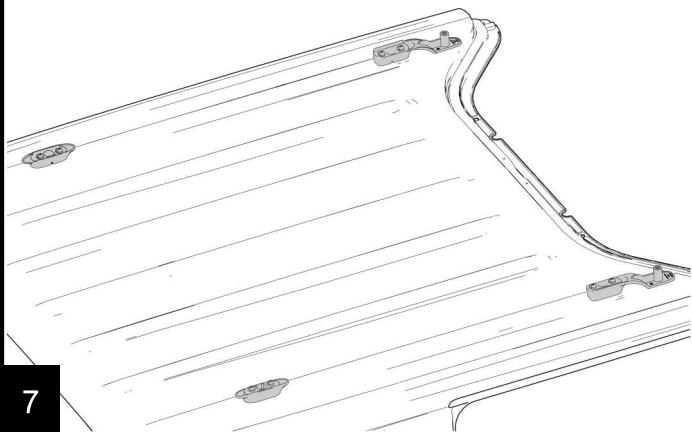
6d

Double check that templates are centered and measurements are correct. Center punch all 16 holes. Using an 11/32" brad tip bit and very light pressure, drill the 4 larger holes. Then drill the smaller holes with 1/4" brad tip bit. Double check all holes are drilled, then remove template.



6e

Upper and Lower Support Installation



7

Install the front passenger side parts. Only hand tighten the t-nut hardware. Be sure O-ring lays flat in groove.

(1) 722142: Front right lower foot
 (2) 722172: Front right spacer
 (3) 722143: Front Upper gasket
 (4) 722173: Front Lower gasket
 (5) 730: 1/4" Washer
 (6) 2036: 7/32" ID O-ring
 (7) 651390: 10 series M6 t-nut
 (8) 225: M6 shoulder bolt

7a

Install the front driver parts. Only hand tighten the t-nut hardware. Be sure O-ring lays flat in groove.

(1) 722141: Front left lower foot
 (2) 722171: Front left spacer
 (3) 722143: Front Upper gasket
 (4) 722173: Rear Lower gasket
 (5) 730: 1/4" Washer
 (6) 2036: 7/32" ID O-ring
 (7) 651390: 10 series M6 t-nut
 (8) 225: M6 shoulder bolt

7b

Install the rear passenger parts. Only hand tighten the t-nut hardware. Be sure O-ring lays flat in groove.

(1) 722162 Rear right lower foot
 (2) 722182: Rear right spacer
 (3) 722163: Rear Upper gasket
 (4) 722183: Rear Lower gasket
 (5) 730: 1/4" Washer
 (6) 2036: 7/32" ID O-ring
 (7) 651390: 10 series M6 t-nut
 (8) 225: M6 shoulder bolt

7c

Install the rear driver side parts. Only hand tighten the t-nut. Be sure O-ring lays flat in groove.

(1) 722162 Rear left lower foot
 (2) 722182: Rear left spacer
 (3) 722163: Rear Upper gasket
 (4) 722183: Rear Lower gasket
 (5) 730: 1/4" Washer
 (6) 2036: 7/32" ID O-ring
 (7) 651390: 10 series M6 t-nut
 (8) 225: M6 shoulder bolt

7d

Aligning the Hard Top brackets

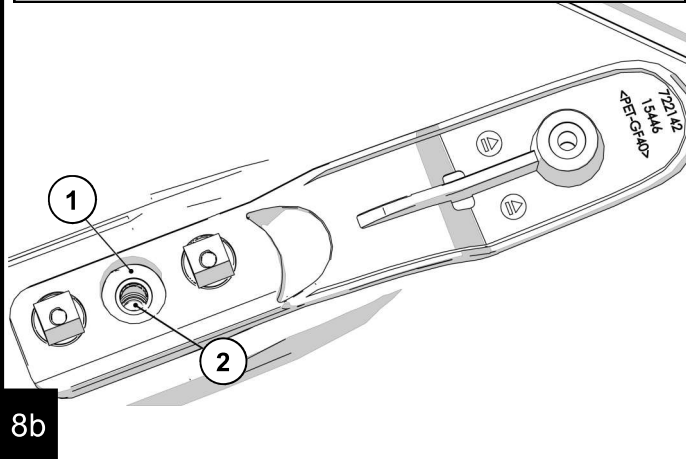
With a helper, set the hard top back on the vehicle. Take your time with this step as the correct alignment will make reinstalling the hard top easy.

8

Due to assembly variations from the factory, the hard top may have a gap from the under roof foot to the mounting bracket. Inspect each of the 4 mounting pad to support bracket connections and measure any gap greater than 1/16" [1.5 mm] to determine the shims required.

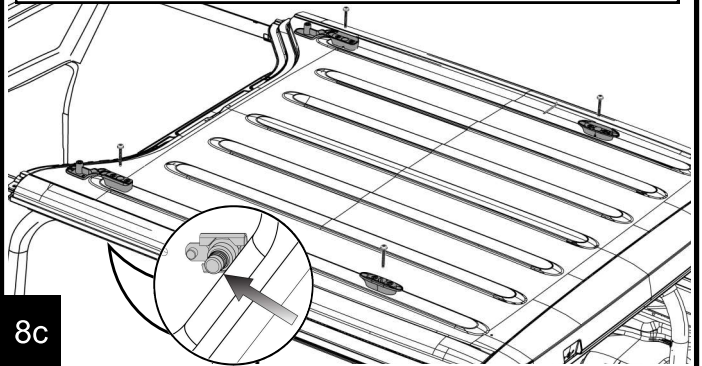
8a

Move each of the brackets until the hole in the bracket (2) is centered with the hole in the support (1).



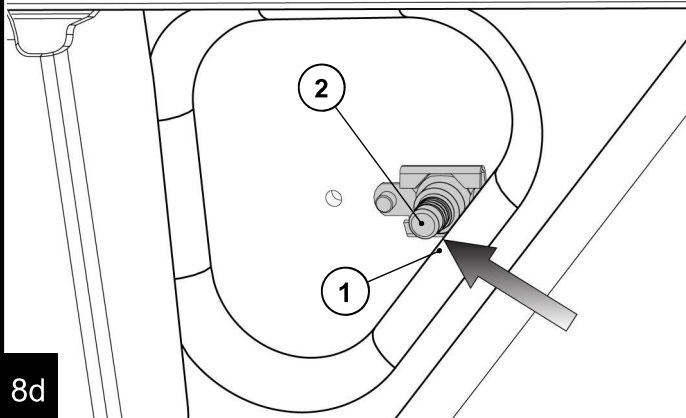
8b

Install the four #220 M8 mounting bolts. Insert each of the bolts into the supports as shown. Due to assembly variations from the factory the front driver OEM mounting plate can interfere with the new mounting bolt. While installing check bolt for interference.



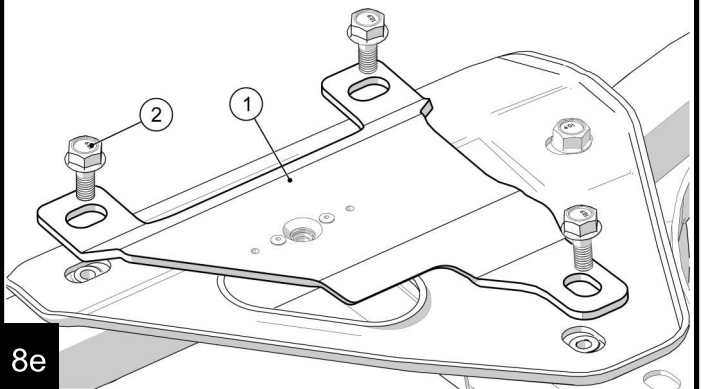
8c

If there is interference with the OEM mounting plate (1) and mounting bolt (2) the hard top will need to be removed again. If there is no interference with bolt skip forward to step 8g.



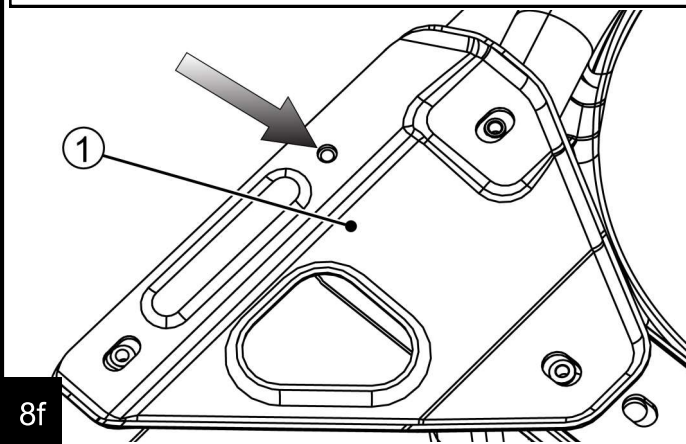
8d

Remove the four 220 M8 mounting bolts and remove the top. Then remove the #772231 driver side bracket (1) by reversing the steps followed in step 4g.



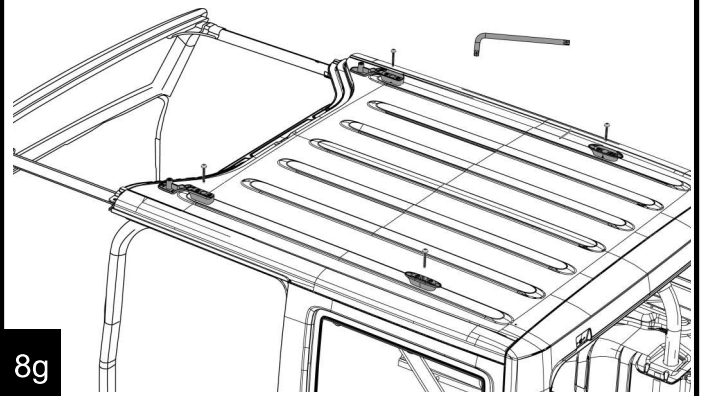
8e

Pull the OEM mounting plate (1) off the Jeep and drill out the hole (shown below) to 3/4 in. (19mm). Now reinstall the OEM mounting plate and repeat step 4g and 8a-8c.



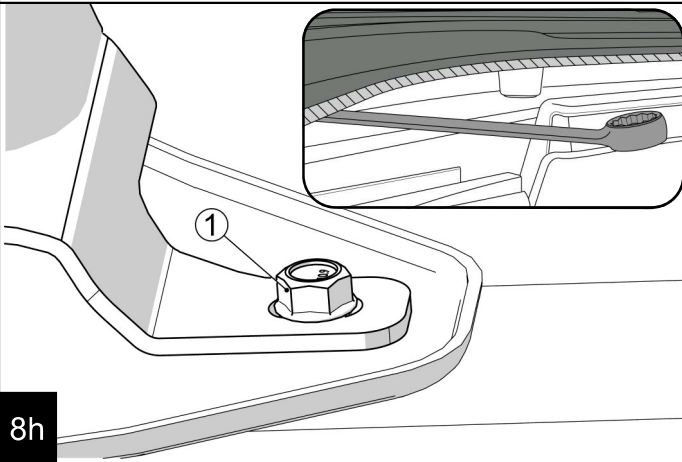
8f

If mounting bolts are clear of interference then tighten the bolts hand tight using the supplied 393 T-40 torx wrench. Be careful not to over tighten any support that has a gap measured in step 8a.



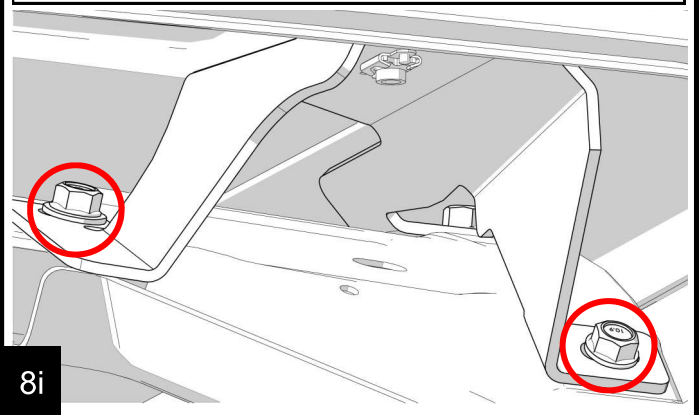
8g

Slide a 13mm open end wrench under the front of the hard top to lightly snug up the (1) OE M8 inner front bolt for both the driver and passenger front mounting brackets.



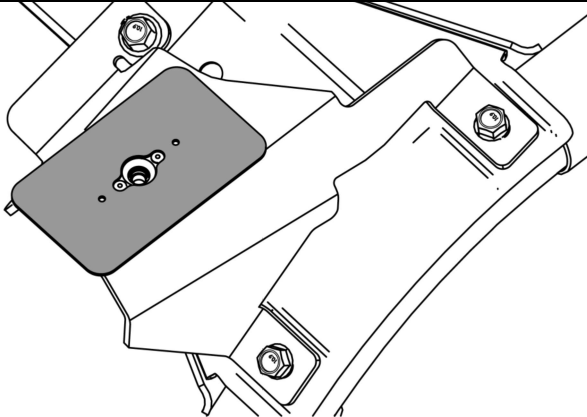
8h

Snug down the 2 rear bolts for both the passenger and driver side rear brackets to keep the bracket from shifting. Remove the four #220 M8 torx bolts installed in 8e. Carefully remove the hard top so the support brackets do not shift positions.



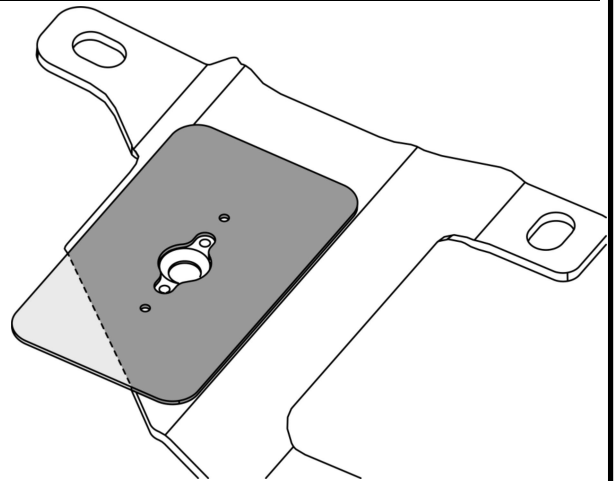
8i

If there are any gaps greater than 1/16" [1.5mm], use shims to provide a better fit. With the measurements from step 8a, determine number of shims required for each location with a gap. Center hole in shim with floating nut as shown.



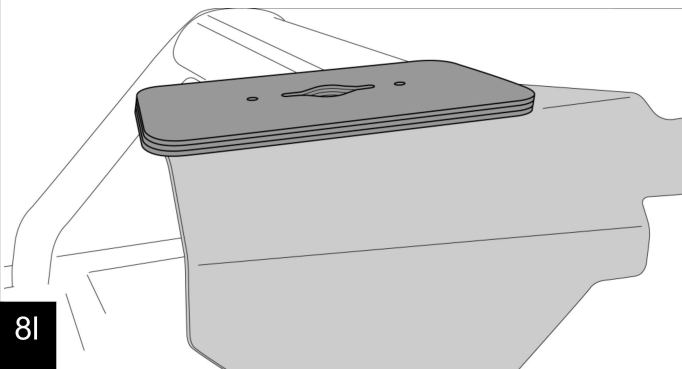
8j

If using shims in the front, trim the back edge of the front shims with an X-ACTO Knife so it does not overhang.



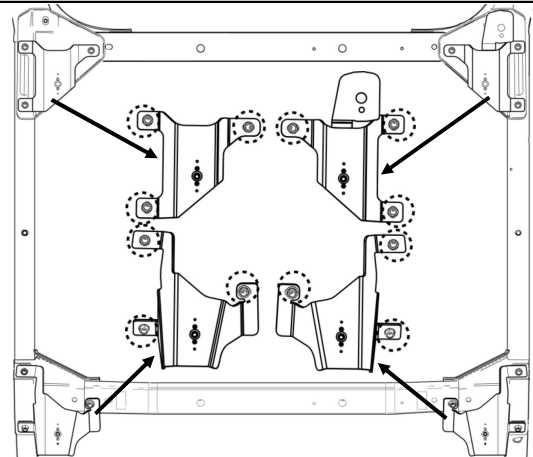
8k

Peel of the backing, then adhere the shim to the bracket. Add additional shims as required. If desired, two 1/8" rivets can be used to provide a more secure connection for the shims. Re-install the hard top.



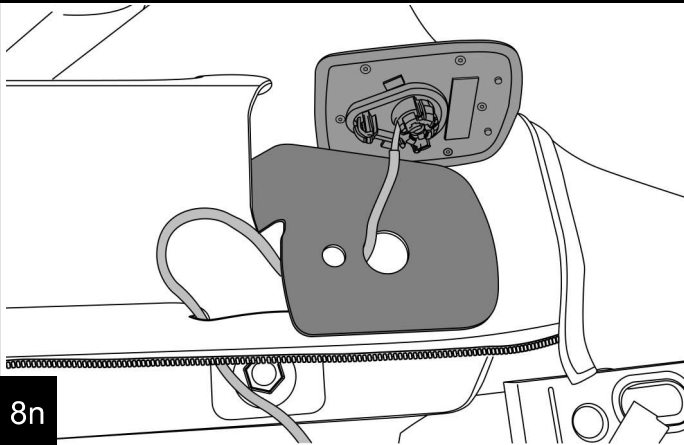
8l

Tighten the 3 M8 bolts on each of the 4 brackets to 14 ft-lbs [19 Nm]. Also check the bolt under the satellite antenna bracket to be sure it has been sufficiently tightened.



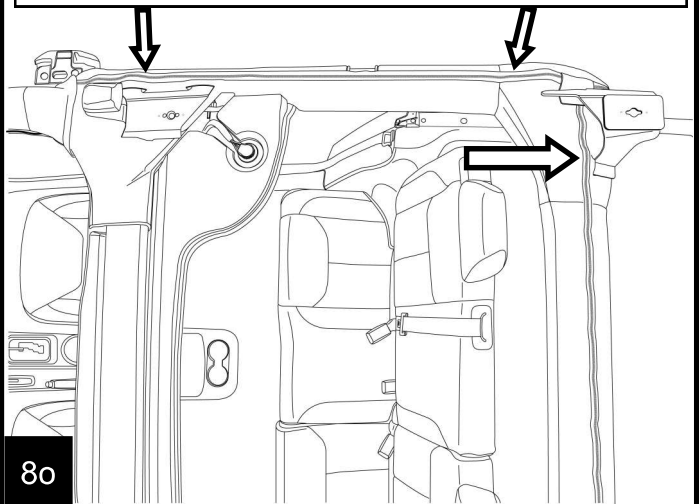
8m

Route the satellite antenna connector through the large hole in the new bracket, then through the front outside slit. Push the antenna onto the bracket, and connect the connector.



8n

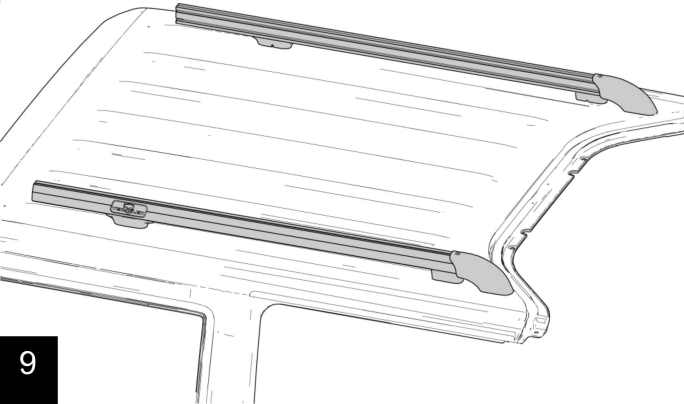
Completely zip up all the sport bar padding



8o

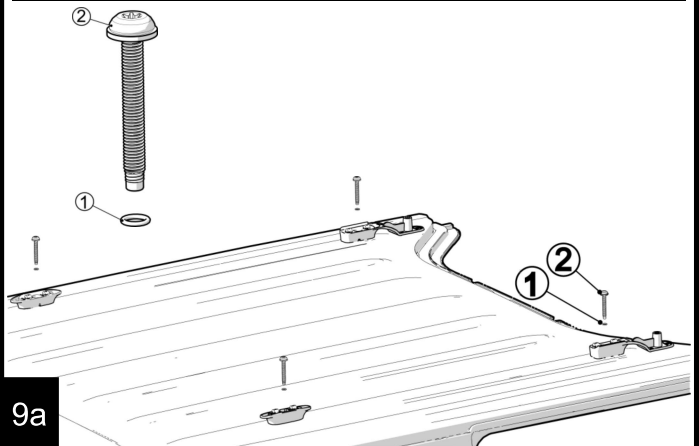
Install the main rails

Use the following steps to install the main rail and front caps.



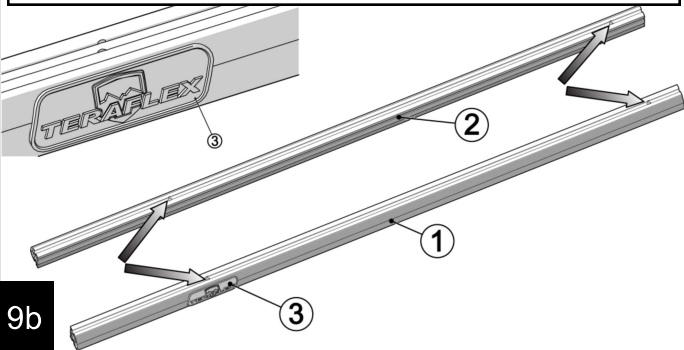
9

Slide one of the #2035 O-rings (1) onto each of the four #220 M8 mounting bolts(2). Insert each of the bolts into the through hole of the rail supports as shown.



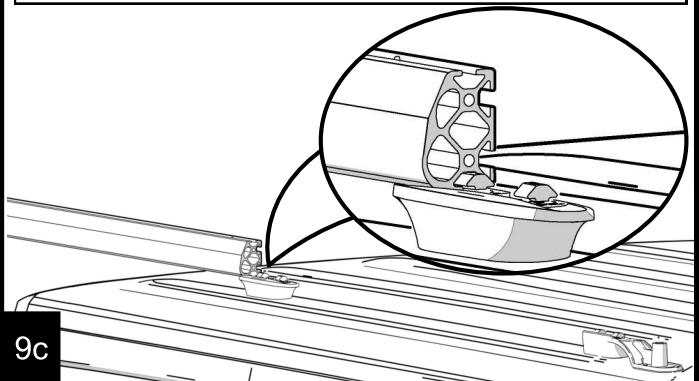
9a

Put the #772100 passenger (1) and the #772201 driver (2) main rails together with the flat edges facing each other. The front hole is 2.5" [63.5mm] from the end. Clean the area by the rear holes with rubbing alcohol, then install the two #801 nameplates (3) so that they are centered with the rear through hole and about 1/8" [3.5mm] from the top of the rail.



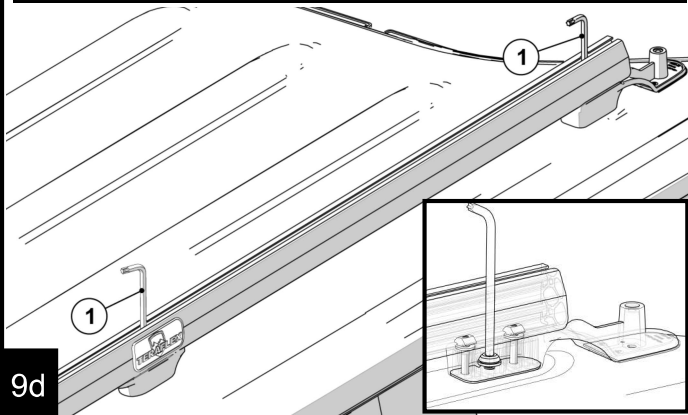
9b

Loosen the t-nuts slightly so the rail can fit under the t-nut. Install the passenger side rail by starting at the rear and sliding the rail forward as the T-nuts slide in the lower track. Stop sliding it forward when the front rail through hole is centered on the now captured #220 M8 torx bolts.



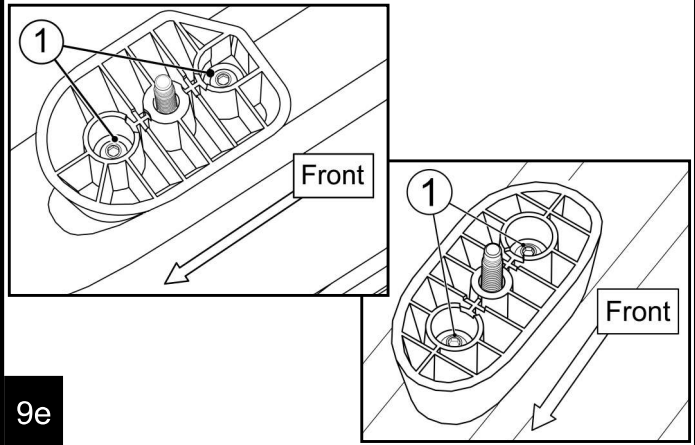
9c

Insert the two #393 torx tools (1) into the main rail's front and rear access holes. Move the rail so that each wrench is centered in the hole and can be inserted into the M8 Torx bolt below. Leave the tools in though step 9e.



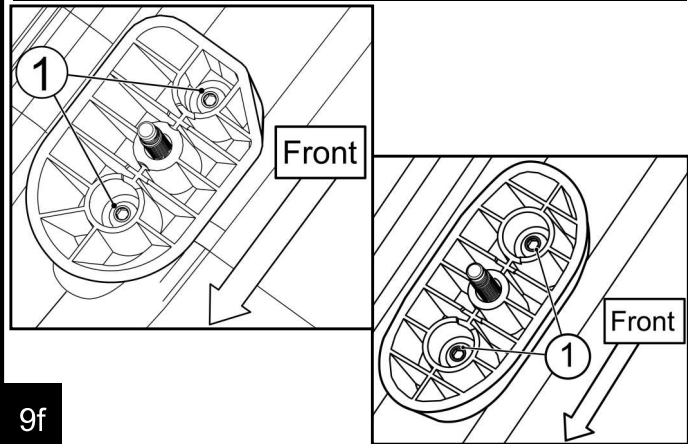
9d

From under the hard top, use a 4mm allen tool to tighten the four #225 6mm shoulder bolts (1) to 105 in-lbs [12 NM] for the #722172 passenger side front and #722182 rear supports.



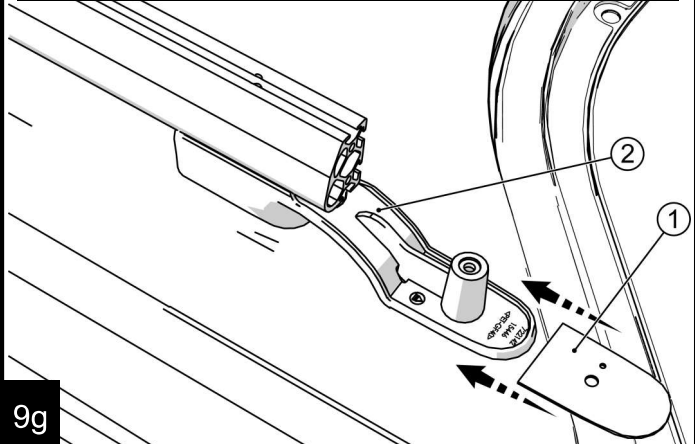
9e

Repeat Steps 9c-9e for the #722171 driver side part front and #722181 rear supports. Double check the alignment for all 4 holes according to step 9d.



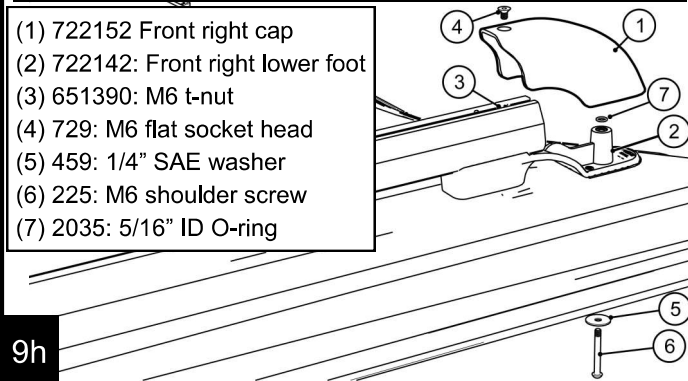
9f

Slip the #722145 front upper gasket (1) under the front of the #722142 front foot (2). Orient the small hole to the center of the vehicle as shown. Center the larger hole with the front boss.



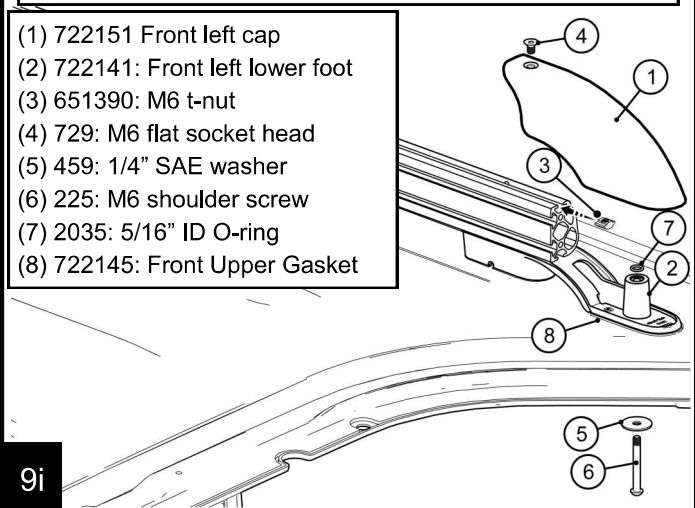
9g

Install the front cap by sliding the M6 t-nut (3) into the main rail. Insert the O-ring (7) into the cavity, then press the front cap down firmly. Thread the M6 shoulder screw (6) with washer (5) through the hard top and into the cap. Thread the M6 flat screw (4) into the t-nut (3).



9h

Repeat step 9e-9f for the driver side front cap.



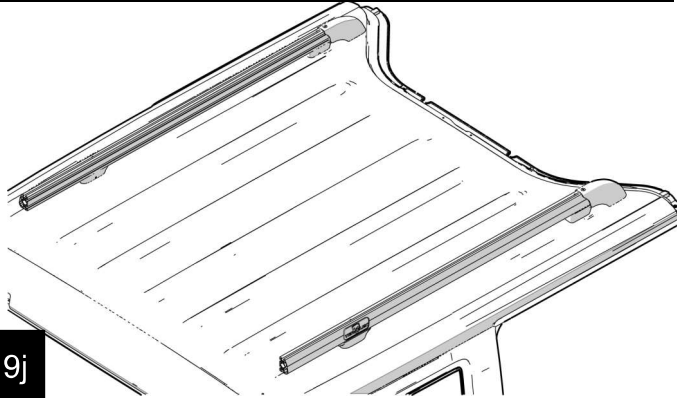
9i

- (1) 722152 Front right cap
- (2) 722142: Front right lower foot
- (3) 651390: M6 t-nut
- (4) 729: M6 flat socket head
- (5) 459: 1/4" SAE washer
- (6) 225: M6 shoulder screw
- (7) 2035: 5/16" ID O-ring

- (1) 722151 Front left cap
- (2) 722141: Front left lower foot
- (3) 651390: M6 t-nut
- (4) 729: M6 flat socket head
- (5) 459: 1/4" SAE washer
- (6) 225: M6 shoulder screw
- (7) 2035: 5/16" ID O-ring
- (8) 722145: Front Upper Gasket

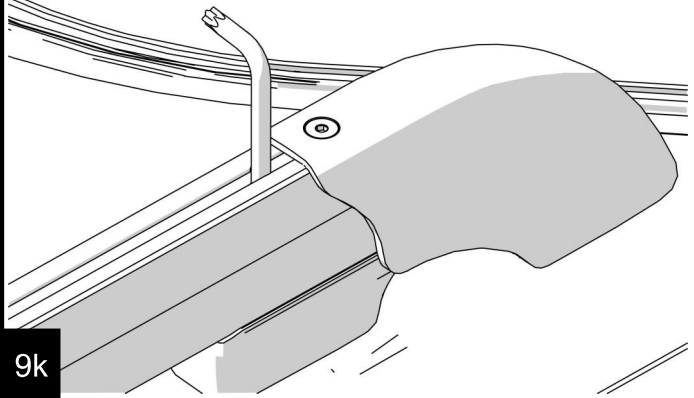
Reinstall the hardtop

With a helper, lift the hardtop to the correct location and then set it straight down. It should settle in place, if not lift straight up and set it down again.



9j

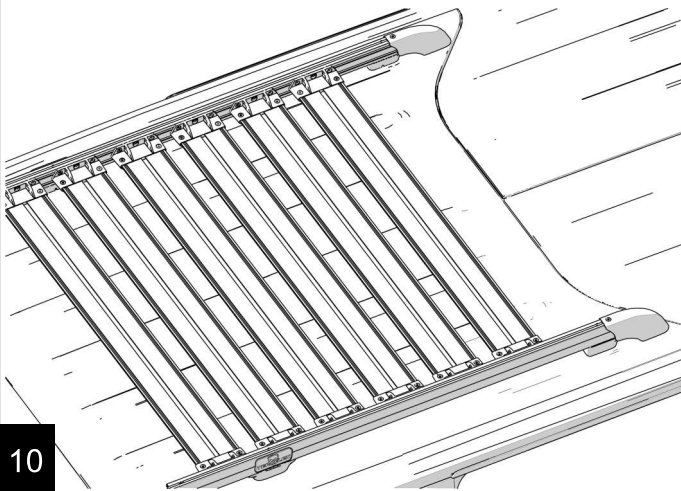
Use the #393 t-40 L-key to start each of the four #220 M8 bolts into the brackets. After the 4 bolts are started, tighten to all; for bolts to 14 ft-lbs [19 Nm] . Then reinstall the OEM fasteners and freedom panels per the owners manual.



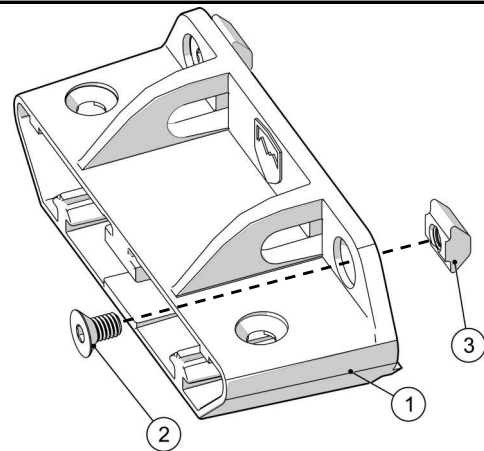
9k

Install the Slat kit (optional accessory)

Install two of the #729 M6 flat screws (2) and two of the #651390 M6 t-nuts (3) loosely in the locations shown on all twelve of the #772310 mounting brackets (1).



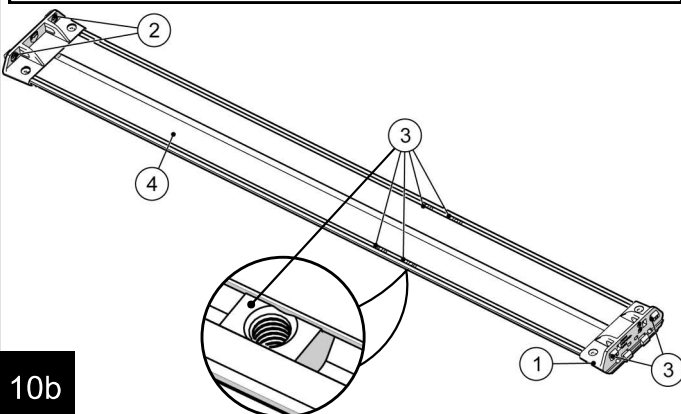
10



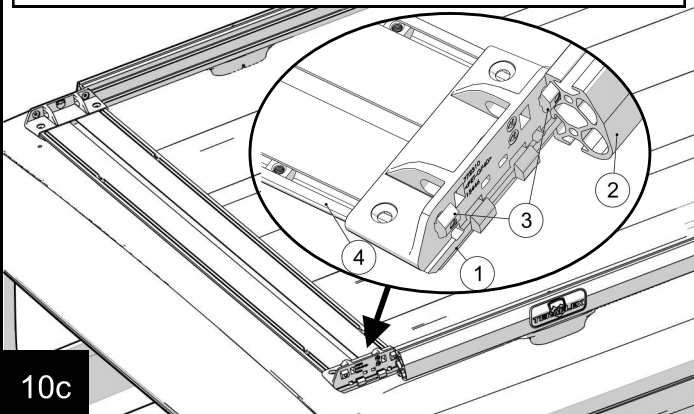
10a

Press on one of the #772310 brackets (1) from the previous step on to a #772300 slat (4). Slide two #651390 t-nuts (3) into each of the two outer tracks, then press another #772310 bracket (1) on the other end. Repeat for all 6 slats.

Slide a slat assembly (4) from the previous step into the main rails (2). Be sure to line up the #651390 t-nut (3) to the upper slot. The tabs on the #772310 bracket (1) will line up with the lower slot. Slide slat forward and repeat for each slat.

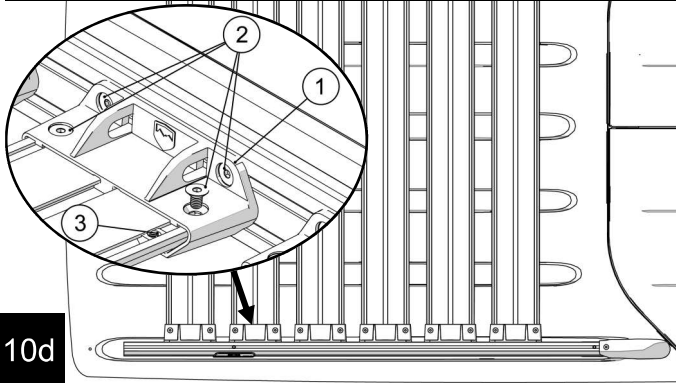


10b



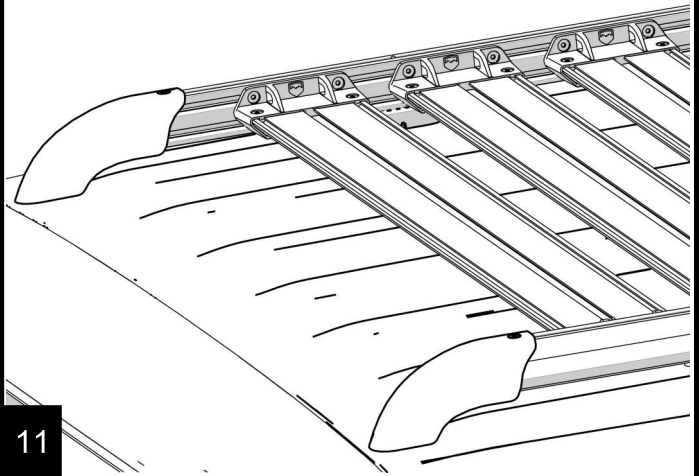
10c

Position the slats along the main rail as desired, keeping the slat perpendicular to the rails. When in position, slide a t-nut (3) under the bracket (1) and thread a M6 flat cap screw (2) into the nut. Repeat for all lower holes. Tighten all upper/lower M6 flat cap screws (2) to 105 in-lbs [12 Nm].



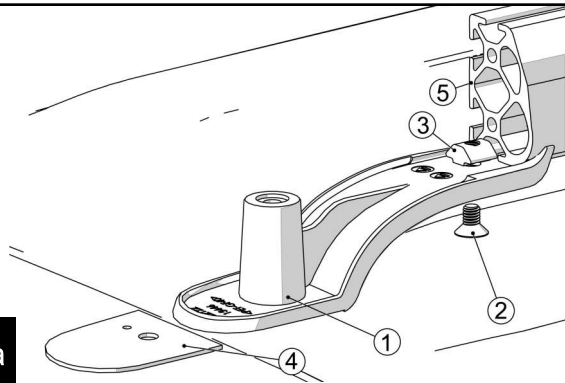
10d

Install rear main rail caps



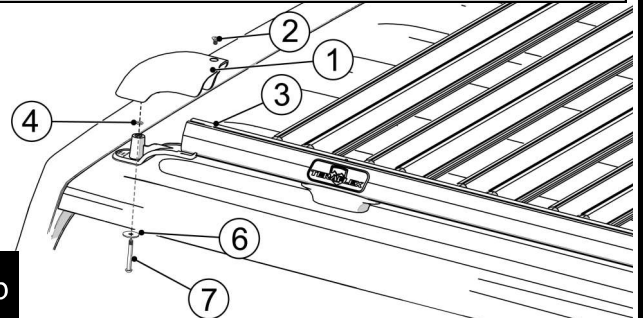
11

Insert a #729 M6 flat socket screw (2) into the rear hole of the #772122 cover (1) and loosely thread on a M6 t-nut (3). Slide the t-nut (3) into the lower slot on the passenger side rail (6). Slide a #722123 gasket under the #772122 (1) cover with the small hole towards the center of the vehicle.



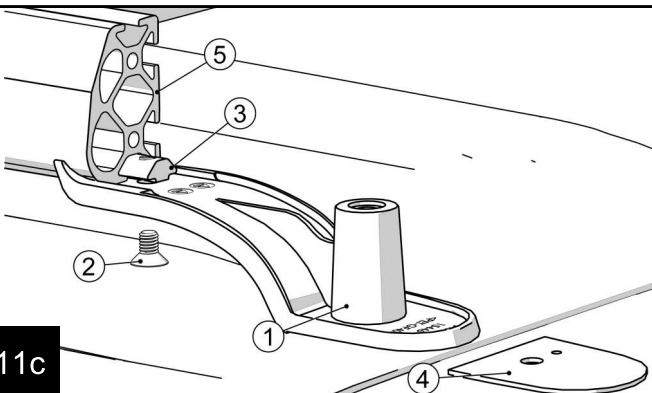
11a

Insert an M6 t-nut (3) into the upper t-slot of the passenger rail. Insert a #2035 5/16" ID O-ring (4) into recess shown. Install the #459 1/4" SAE flat washer (6) with #225 M6 shoulder bolt (7) through the hard top. Press down the #722132 cap (1) and start #225 M6 shoulder bolt (7). Insert a M6 flat socket screw (2) as shown and screw into the t-nut (3) tighten both screws to 105 in-lbs [12 Nm].



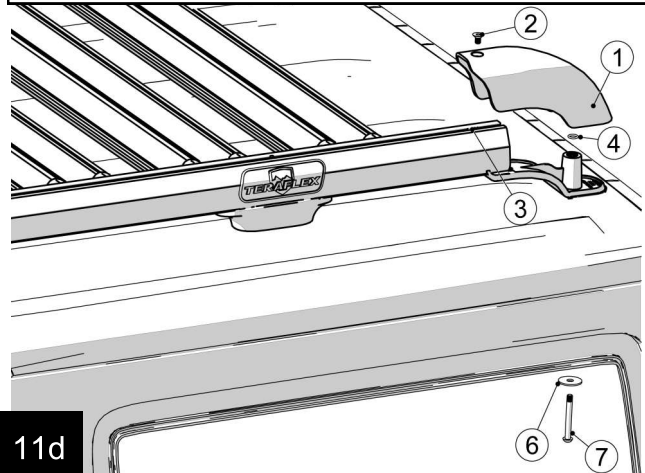
11b

Insert a M6 flat socket screw (2) into the rear hole of the #772122 cover (1) and loosely thread on a #651390 M6 t-nut (3). Slide the t-nut (3) into the lower slot on the passenger side rail (6). Slide a #722123 gasket (4) under the #772121 cover (1) with the small hole towards the center of the vehicle.



11c

Repeat step 11b, using the #722131 cap (1) with the same hardware.



11d

User Manual and Hints

Load Rating:

Static Load: The design of the rack transfers the loads to the sport bar, allowing for an evenly distributed static load of 850 lbs [385 kg]. An example of a static load would be a stationary vehicle with a rooftop tent filled with occupants.

Dynamic Load: We recommend a maximum load of 200 lbs [90 kg] for the roof rack for safe operation of the vehicle. The weight should be evenly distributed and secured appropriately.

The customer should experiment with the load at reduced speeds to determine if it is safe to carry as there are many different lift heights, spring rates, track width, etc. The roof rack does not increase the total carrying capacity for the vehicle, be sure the load inside and out does not exceed the vehicle load capacity

1

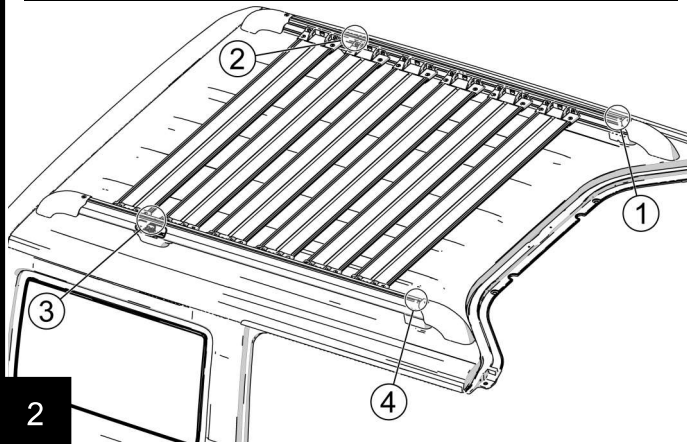
The load carried on the roof rack will make the vehicle's center of gravity higher. Avoid high speeds and abrupt maneuvers, including sharp turns or sudden start or stops. If driving at high speeds, rough road, or long distances, occasionally stop and check that everything is tightly secured.

Long loads like surfboards or wood panels that extend past windshield will be subjected to strong wind forces. They should be secured both in the front and the rear.

Use extreme caution when carrying items with a large flat surface area as wind forces due to natural forces or passing trucks, can add a sudden upward lift on the load

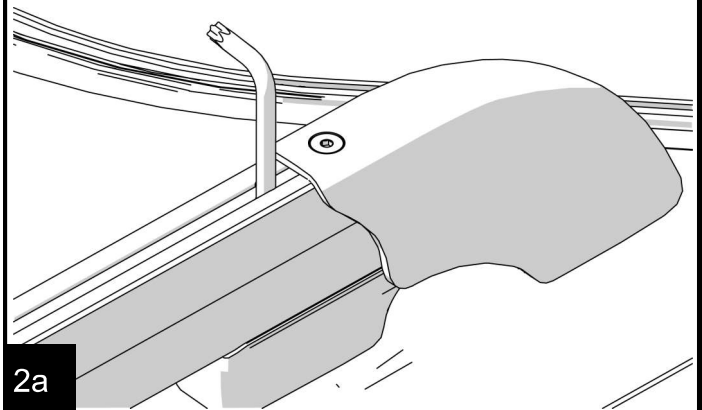
1a

Standard procedure for removing the hard top with the roof rack installed



2

Use the supplied #393 Torx wrench, completely loosen the 4 M8 bolts in the 4 location shown in step 12 by using the four access hole in the main rail.



2a

Follow the owners manual procedures for the rest of the OEM hardware. With a helper, pull the top straight up to free the bolts, then remove the top.

Reinstallation is the reverse, with a helper, replace the top by setting it straight down. Start threading each of the four M8 bolts using the supplied #393 torx wrench as shown in step 12a. If the bolt is not starting, lift the top straight up and set back down to center the bolt. Tighten the 4 M8 torx bolts to 14 ft-lbs [19 Nm], then follow the owners manual for the OEM hardware.

2b

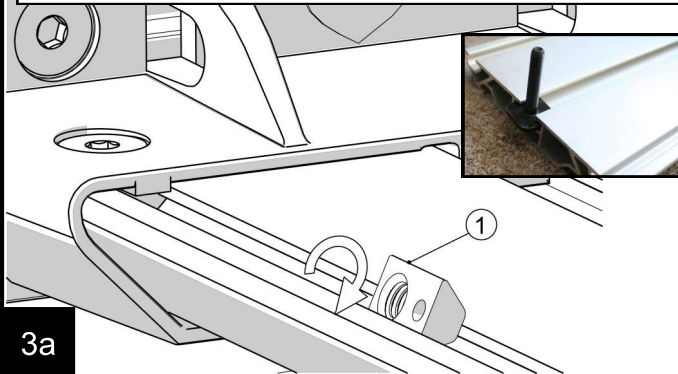
Mounting Accessories

The TeraFlex Slat kits can also be used to carry cargo or mount existing aftermarket carriers. The slats are available in the single kits #4722051 or #4722061 (Silver/Black), or can be purchased in a set of 6 in the kits #4722050 or #4722060 (Silver/Black). There is room for a total of 8 slats to be mounted, but be aware that each slat will add 4.8 lbs (2.2kg).



3

For convenience in mounting accessories into an assembled rack, use a #651380 (1) roll in t-nut. It can be rolled in and out of the smaller t-slot instead of being slide in from an open end. A 10 pack can be purchased as part #4651380. The larger center slot is for Thule's large headed t-nuts.



To determine the length of the M6 x 1.0 pitch screw you need to mount an accessory, measure the thickness of the mounting foot and add 7.5 mm for thread engagement in the t-nut. Round up the nearest available screw size and use washers under the screw head if too long to keep the screw from bottoming out in the t-slot.



Two slats can be used to mount a cargo box. The slats will keep the box lower than using load bars, helping to reduce wind noise. This vehicle has the Thule Sonic Alpine 633s box mounted with 4 M6 x 1.0 x 30mm long stainless socket head cap screws. The Thule Xadapt 10 kit replaces the standard AcuTight clamps allowing the bolted connection.



Internal view of the Thule Xadapt10 being installed in the sonic box with a M6 x 1.0 x 30mm long screw.



The vehicle below uses two Thule 594XT bike racks mounted directly to the slats to keep the profile low. The front uses a spacer (or washer) for bolt head clearance and the rear uses Thule Xadapt2 with a M6 x 1.0 x10mm long bolt and washer .



This photo shows the front of the Thule 594XT bike rack mounted with a 1/4" spacer and 4 M6 x 1.0 x 15mm long stainless cap screws

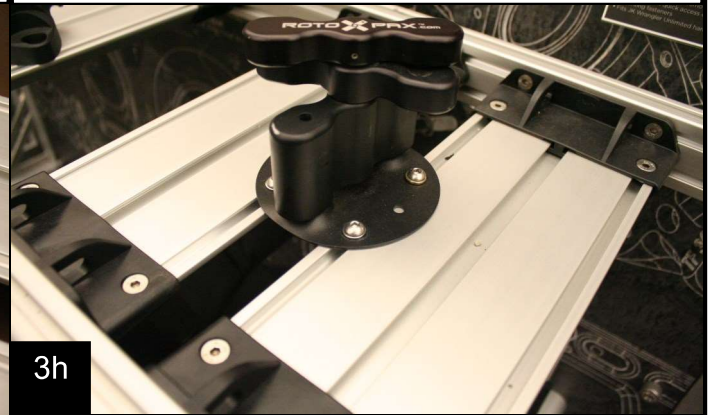


This photo shows the Thule 594XT bike rack mounted in the rear with the Thule Xadapt2 mounted between two slats for correct spacing. Two M16 x 1.0 x 12mm long stainless screws with a M6 washer are used to fasten it to the slat.

If the bolt spacing for an accessory mount does not match the spacing in the slat, the gap between two slats can be adjusted for the correct spacing. Below is a Rotopax accessory mounted between 2 slats.



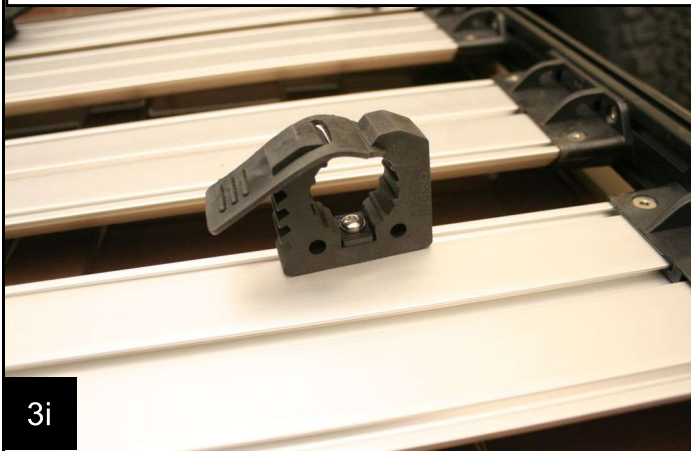
3g



3h

Below is a Quick Fist mount installed with a M6 x1.0 x 22mm long bolt with a washer under the head to avoid bottoming out.

This Tepui Roof top tent is set up with tent support bars running across the vehicle. The tent is laid directly on the roof rack rails and bolted with the Tepui hardware, except for using M8 x1.25 x 70mm long hex bolts for the taller rails.



3i



3j

The molded in hook holes are meant to secure light loads. Do not use a ratchet strap as over tightening will cause damage.

Many aftermarket crossbars/ load bars will fit around the main rail, allowing various carriers to be mounted. Shown is a Thule AreroBlade with the 450R Rapid Crossroad Foot Pack. Thule SquareBars can be mounted with the 450 Crossroad Foot.



3k



3l

PRODUCT INFORMATION

MAINTENANCE INFORMATION:

It is the buyer's responsibility to have all suspension, drivetrain, steering, and other components checked for proper tightness and torque after the first 100 miles and every 3000 miles after that.

NOTICE TO INSTALLER:

The enclosed "Warning to Driver" sticker must be installed in the vehicle in driver's view. This sticker is to act as a constant safety reminder when operating the vehicle. It is your responsibility as the equipment installer to install the provided sticker and to forward the product instructions to the vehicle's owner for review. If a "Warning to Driver" sticker or product installation guide were not included in the kit, FREE replacement stickers and instructions are available by request. It is the installer's duty to ensure a safe and controllable vehicle after the modifications have been performed.

WARNING:

Neither the seller nor the manufacturer will be liable for any loss, damage, or injury directly or indirectly arising from the use of or inability to determine the use of these products. Before using, the user shall determine the suitability of the products for its intended use, and the user shall assume all responsibility and risk in connection therewith.

WARNING TO DRIVER:

This vehicle has been modified to enhance off road performance and has unique handling characteristics. Use in harsh environments can cause extreme stress on the components. Vehicle should be inspected after being off road to make sure that all the components are in working order and safe to travel on the highway. All fasteners should be checked so that they are at the correct torque specifications as the vibration and stresses from off roading may cause critical fasteners to work loose. Extra care should be taken to inspect the critical components, steering, and brake systems. During each oil change components such as arms, tie rod ends, etc should be greased and checked for excessive wear. Any worn components should be replaced. When returning to the pavement always set or restore tire air pressure to the factory recommendation and connect or engage any disabled sway bar mechanisms. Because of the higher center of gravity and larger tires, this vehicle handles and reacts differently than many passenger cars, both on and off road. You must drive it safely! Extreme care should be taken to prevent vehicle rollover or loss of control, which can result in serious injury or death. Avoid sudden sharp turns or abrupt maneuvers. Generally, braking performance and capabilities are decreased when significantly larger/heavier tires are used, especially when used in combination with transfer case low-range reduction kits. Take this into consideration while driving. Do not add, alter or fabricate any factory or aftermarket parts to increase vehicle height over the intended height of the TeraFlex product purchased. Mixing component brand is not recommended. TeraFlex Inc. will not be responsible for any altered product or any improper installation or use of our products. We will be happy to answer any questions concerning the design, function, and correct use of our products. It is ultimately the buyer's responsibility to have all bolts/nuts checked for tightness after the first 100 miles and then every 3000 miles. Wheel alignment, steering system, suspension and drive line systems must be inspected by a qualified professional mechanic at least every 3000 miles.

TERAFLEX PRODUCT WARRANTY:

TeraFlex Inc. warrants TeraFlex Suspension products to the original retail purchaser to be free of defects in material and workmanship for as long as the original purchaser owns the vehicle on which products were originally installed.

Failure to complete regular maintenance (grease every 3000 miles) on TeraFlex FlexArms will void this warranty. All other conditions of the standard TeraFlex product warranty apply.

All TeraLow products are covered by the TeraFlex two (2) year warranty to be free of defects in material and workmanship for two years from date purchased.

TeraFlex axles are covered by a 12-month warranty to be free of defects in materials and workmanship.

This warranty does not cover or include product finish, improperly installed or applied products, improperly maintained products, products or components used for racing or competition or damage due to abuse or neglect, products that fail due to the use of larger tire and wheel combinations.

All returns must be accompanied by an original invoice. It is the customer's responsibility to remove the product from the vehicle. Shipping charges are the responsibility of the customer. TeraFlex Inc. will pay the return freight if the product meets the terms of warranty.

This warranty is for the replacement or repair of defective TeraFlex products only and does not include freight charges, labor charges for removal of or installation of TeraFlex or related products or components, costs incurred due to down time of the vehicle, or lost profits due to vehicle down time.

A returned goods authorization number (RGA#) must accompany any returned products. For more information please contact a TeraFlex customer service representative.

COPYRIGHT

©Copyright 2014. All rights reserved, TeraFlex Inc. Reproduction of this catalog and/or any of its contents without written permission is strictly prohibited.

TeraFlex® is a registered trademark of TeraFlex Inc. All trade names and logos including but not limited to TeraFlex, FlexArms, RockGuard, Monster, and LCG are protected by law and duplication of trade names and/or logos are strictly prohibited.

TeraFlex Inc. reserves the right to update, discontinue, redesign, modify finish, part number or component build parts if deemed necessary without written notice.

TeraFlex Inc., and any associated dealers are not responsible for misprints or typographical errors that may have inadvertently been made within this instruction sheet.

Jeep® and the Jeep® grill are registered trademarks of Fiat Chrysler Automobiles N.V., and have no affiliation with TeraFlex Inc.

TERAFLEX, Inc.
5680 West Dannon Way
West Jordan, Utah 84081
Phone/801.713.3314
Fax/801.713.2313
www.teraflex.com