

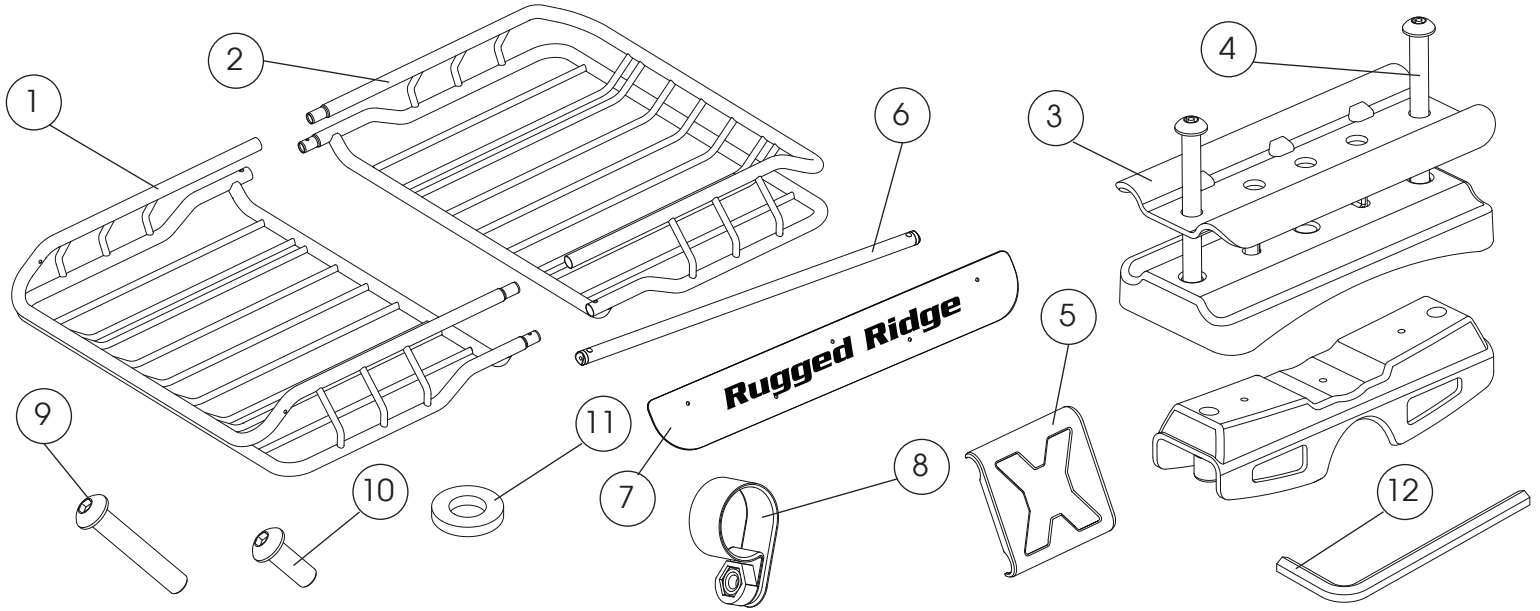


OMIX-ADA, Inc.

460 HORIZON DR. SUITE 100 | SUWANEE, GA 30024 | PHONE: 770-614-6101 | FAX: 770-614-6069 | info@omix-ada.com

Part #11703.03

Roof Rack Basket



Components

- | | | | |
|----------------------|-----|--------------------|-----|
| 1. Basket Front Half | (1) | 7. Deflector | (1) |
| 2. Basket Rear Half | (1) | 8. Deflector Clamp | (5) |
| 3. Mounting Kit | (4) | 9. Long M6 Screw | (2) |
| 4. Security Screw | (8) | 10. Short M6 Screw | (9) |
| 5. Side Cover | (2) | 11. Washer | (5) |
| 6. Front Bar | (1) | 12. Allen Tool | (1) |

Warnings/Compatibilities/Restrictions

Please read instructions carefully. The end user is fully responsible for assembly and installation of this product. Do not carry more than 60 kg (132lbs) on this load carrier. Make sure the total load (cargo weight plus weight of bars) does not exceed the car maximum load capacity. Check the crossbar instructions or the car owner's manual for any restrictions about accessories used on the load bars. The height of the cargo will affect the possibility to access low entrance spaces. The cargo will affect your driving behavior. Front and rear of long loads must be tied down to the front and rear of the vehicle using a solid part of the vehicle. Failure to properly install this product and the bike on the carrier may cause damage to the car and bike and in the worst case personal injury. Do not modify any components of the product. Do not use the product for other purposes than those for which they were designed. Please respect the speed limit and adapt your speed to the condition of the road. Before leaving and at every stop, please check that all parts are firmly tightened. During your trip, periodically check that your load is firmly attached. Check periodically for signs of wear corrosion, and fatigue. Remove your cargo basket before entering automatic car washes. Use lubricant on the bolts to avoid corrosion.

OMIX-ADA® TECHNICAL SUPPORT

PHONE: M-F 8am - 5pm EST 1-800-449-6649 | EMAIL: techsupport@omix-ada.com

FOR WARRANTY INFORMATION VISIT: www.Omix-Ada.com

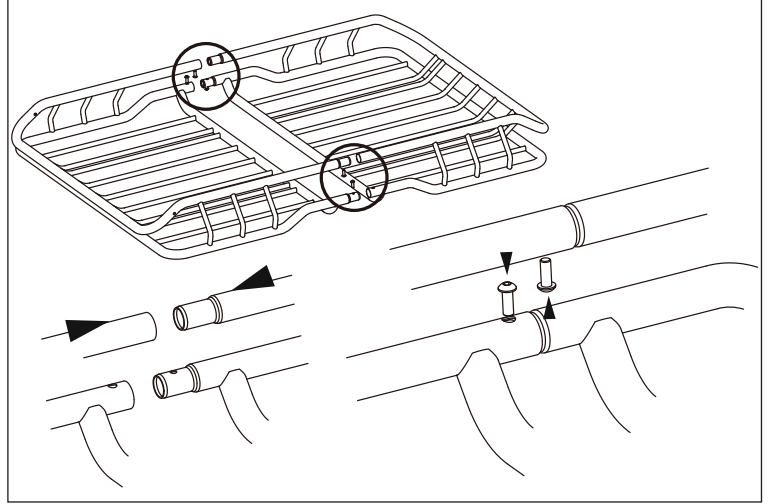


OMIX-ADA, Inc.

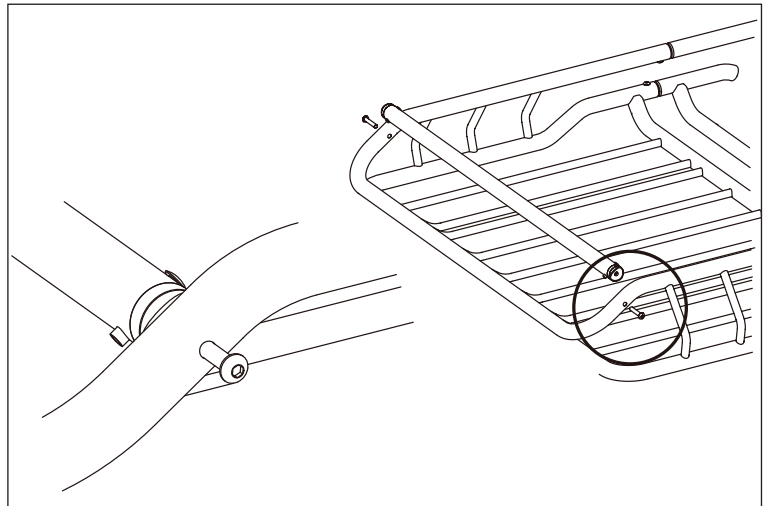
460 HORIZON DR. SUITE 100 | SUWANEE, GA 30024 | PHONE: 770-614-6101 | FAX: 770-614-6069 | info@omix-ada.com

Roof Rack Basket

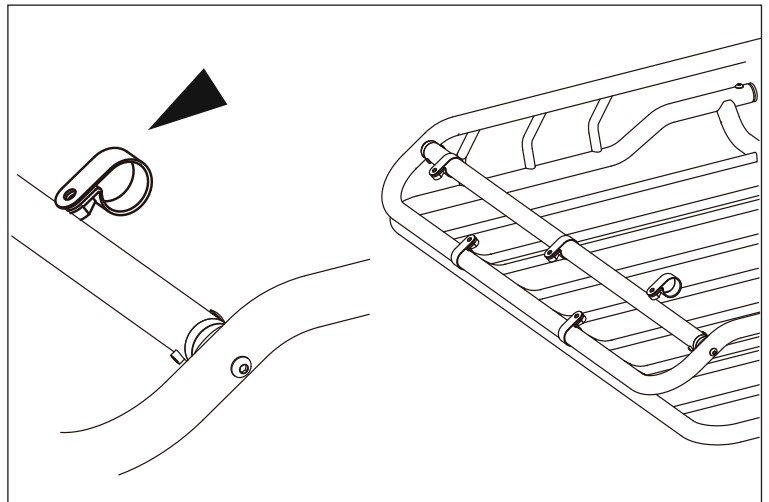
1. Assemble front basket to rear basket using 4 short M6 screws. Tighten all screws.



2. Assemble the front bar to the basket front half using 2 long M6 screws. Fully tighten.



3. Insert the 5 plastic clamps on the front tube. Place 3 at the top and 2 on the bottom as shown on right.



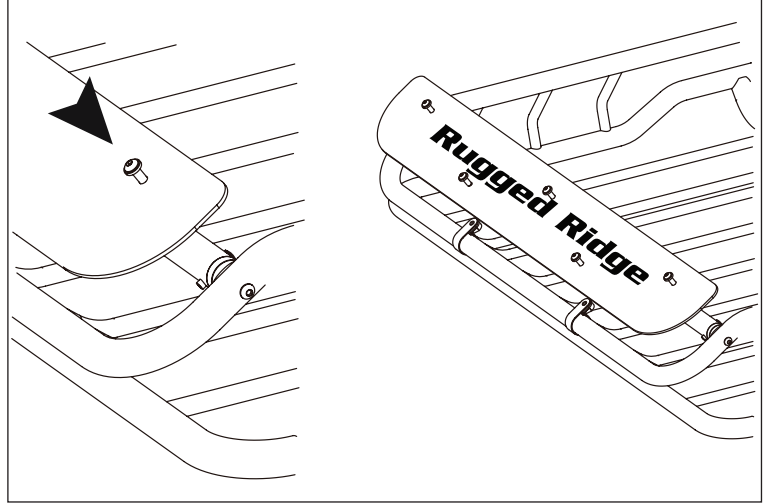


OMIX-ADA, Inc.

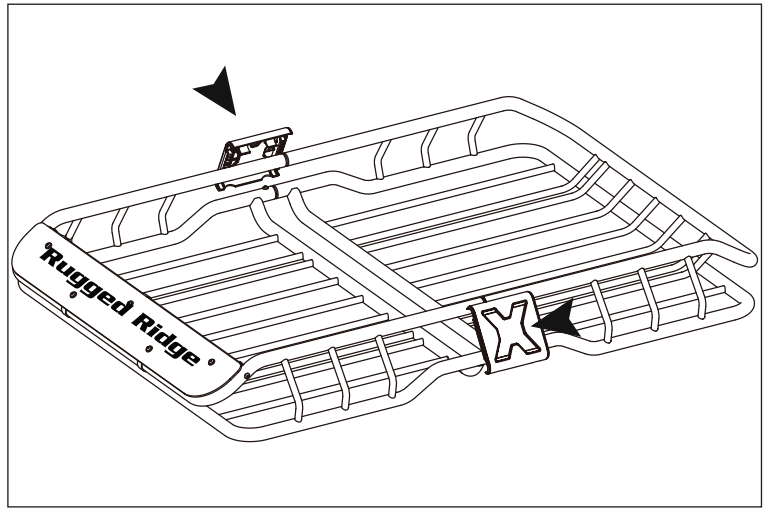
460 HORIZON DR. SUITE 100 | SUWANEE, GA 30024 | PHONE: 770-614-6101 | FAX: 770-614-6069 | info@omix-ada.com

Roof Rack Basket

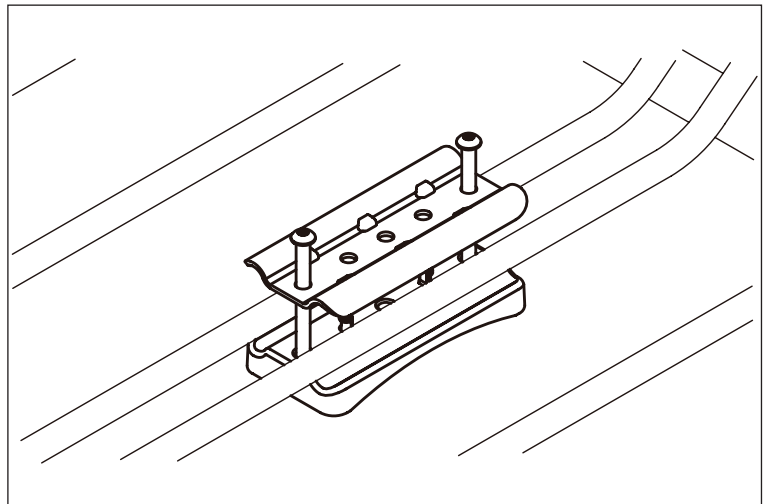
4. Use 5 short M6 screws to attach the deflector to the basket front using 5 clamps installed in Step 3.



5. Install the 2 side covers as shown on right.



6. Install 4 attachment kits to basket.



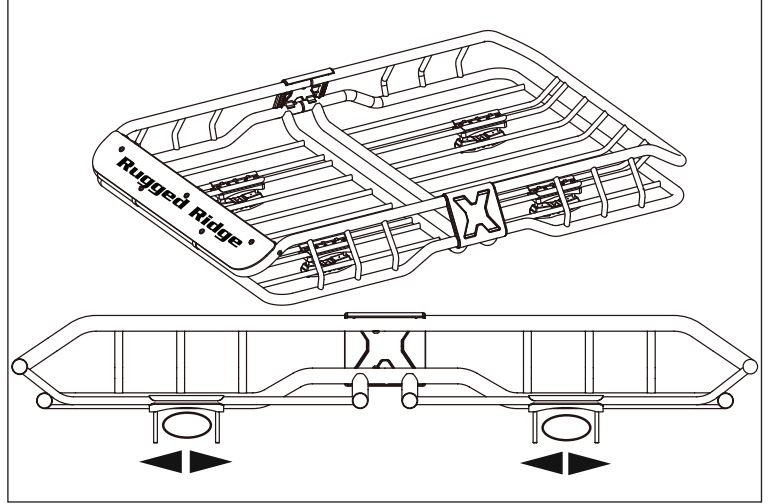


OMIX-ADA, Inc.

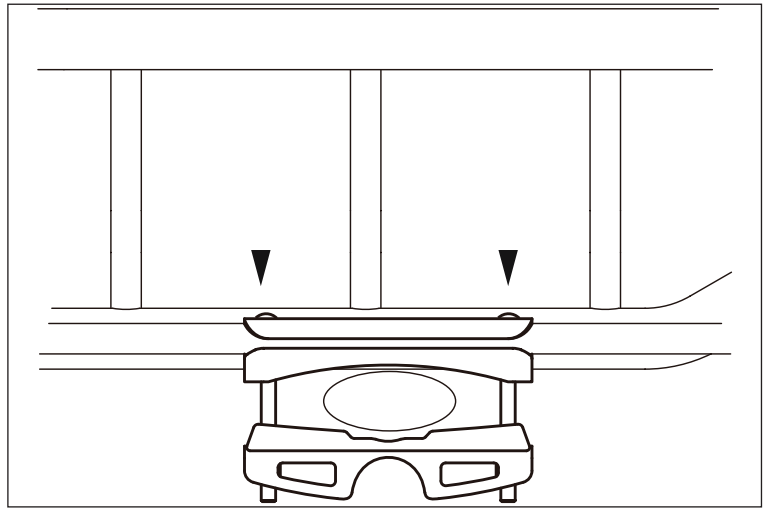
460 HORIZON DR. SUITE 100 | SUWANEE, GA 30024 | PHONE: 770-614-6101 | FAX: 770-614-6069 | info@omix-ada.com

Roof Rack Basket

7. Install basket onto bars. The distance between bars should be between 21" and 35". Slide kits to fit on the bars, ensuring basket is centered.



8. Assemble lower clamp of the attachment kit. Center clamp on crossbar. Tighten each side equally, ensuring lower clamp remains centered.



9. For use with circular bars, rotate lower clamp as shown on right and install.

NOTICE Rubber pad will need to be removed for this application

