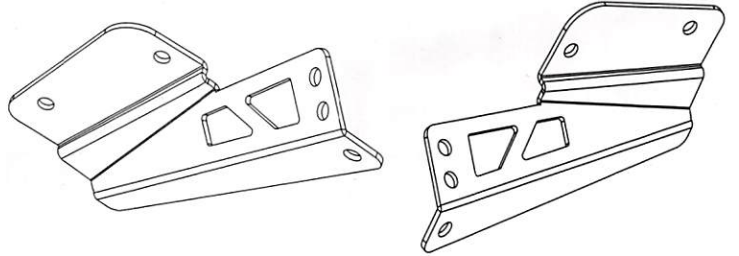


FOR WARRANTY INFORMATION VISIT: www.Omix-Ada.com

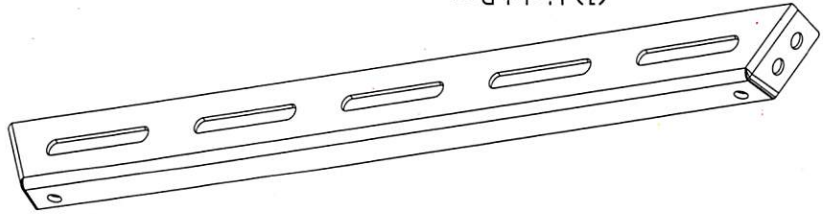
PHONE: M-F 8am - 5pm EST 1-800-449-6649 | EMAIL: techsupport@omix-ada.com

OMIX-ADA® TECHNICAL SUPPORT

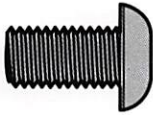
(1) Hood Mount Arm LH
(1) Hood Mount Arm RH



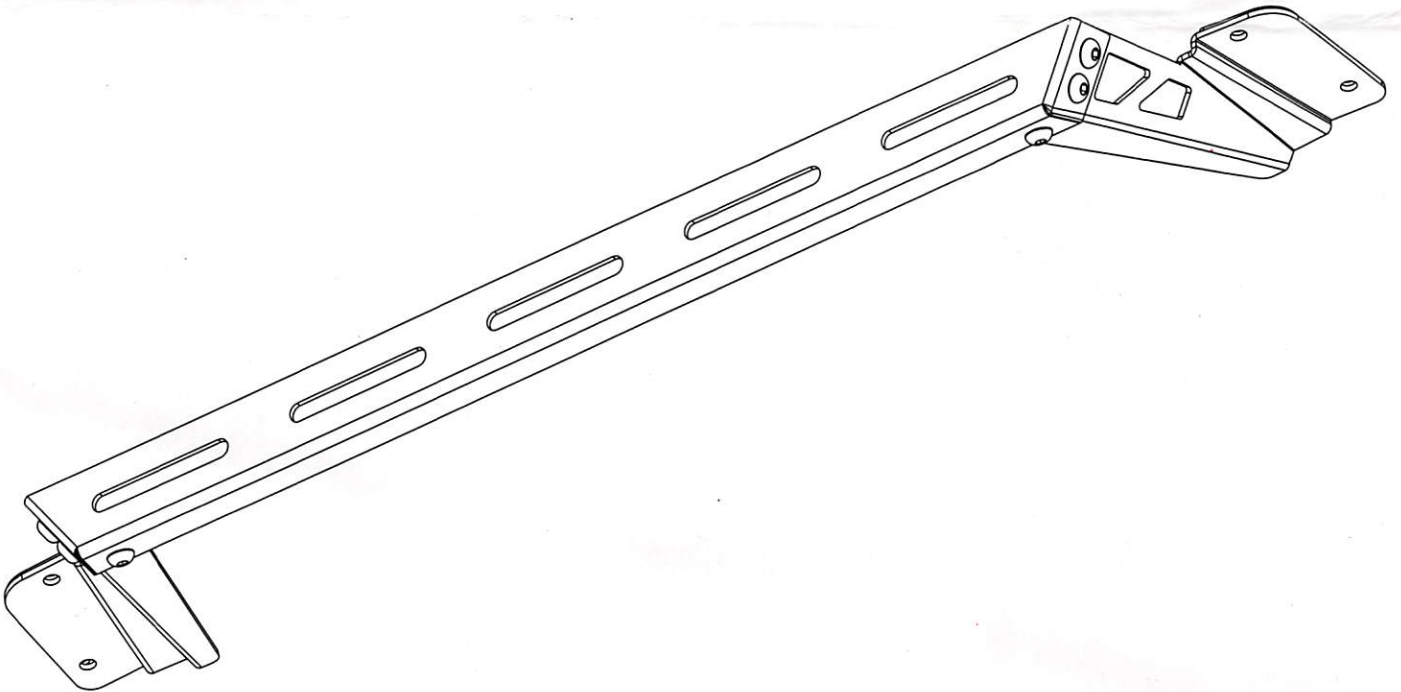
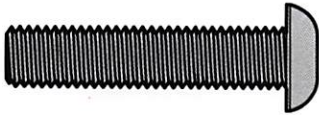
(1) Light Bar



(6) Short Bolts



(4) Long Bolts



JEEP® TJ HOOD MOUNT LIGHT BAR

460 HORIZON DR. SUITE 100 | SUWANEE, GA 30024 | PHONE: 770-614-6101 | FAX: 770-614-6069 | info@omix-ada.com
Part # 11232.09

OMIX-ADA, Inc.



JEEP® TJ HOOD MOUNT LIGHT BAR

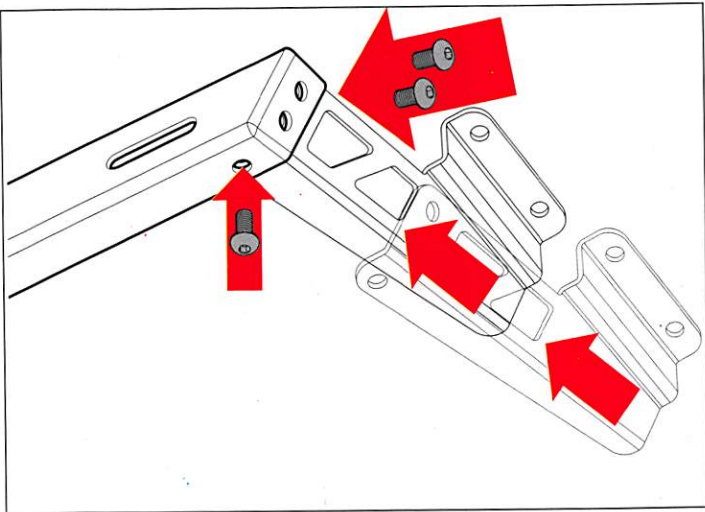
460 HORIZON DR., SUITE 100 | SUWANEE, GA 30024 | PHONE: 770-614-6101 | FAX: 770-614-6069 | info@omix-ada.com

Part # 11232.09

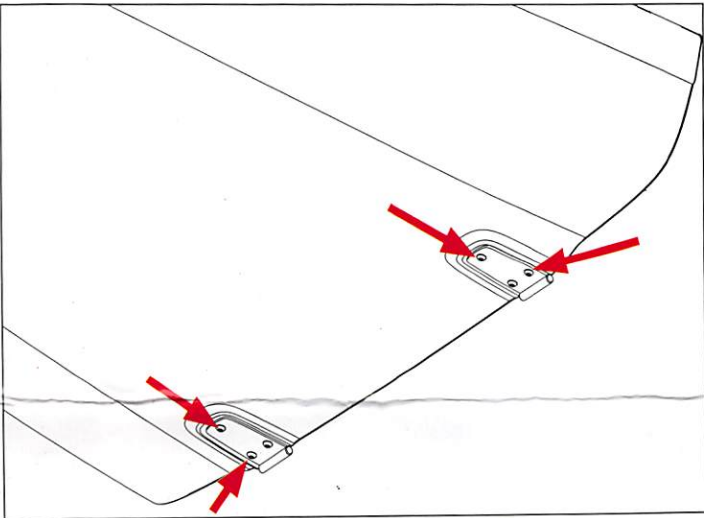
OMIX-ADA, Inc.



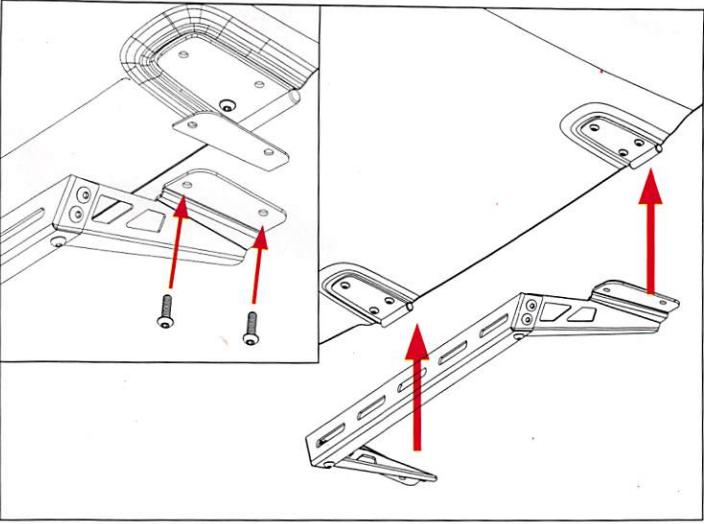
1: Attach Hood Mount Arms to Light Bar using short bolts.



2: Remove 4 hood hinge bolts using a T40 Torx bit.



3: Attach Hood Mount Light Bar to hood using supplied Long Bolts.



4: Attach Hood Mount Light Bar to hood using supplied Long Bolts.

NOTICE Do not remove the 2 inward hinge bolts; remove only the 2 forward and 2 outward hinge bolts, as indicated in the image.

NOTICE Do not open/move the hood while hinge bolts are detached to prevent any possible damage or misalignment.