

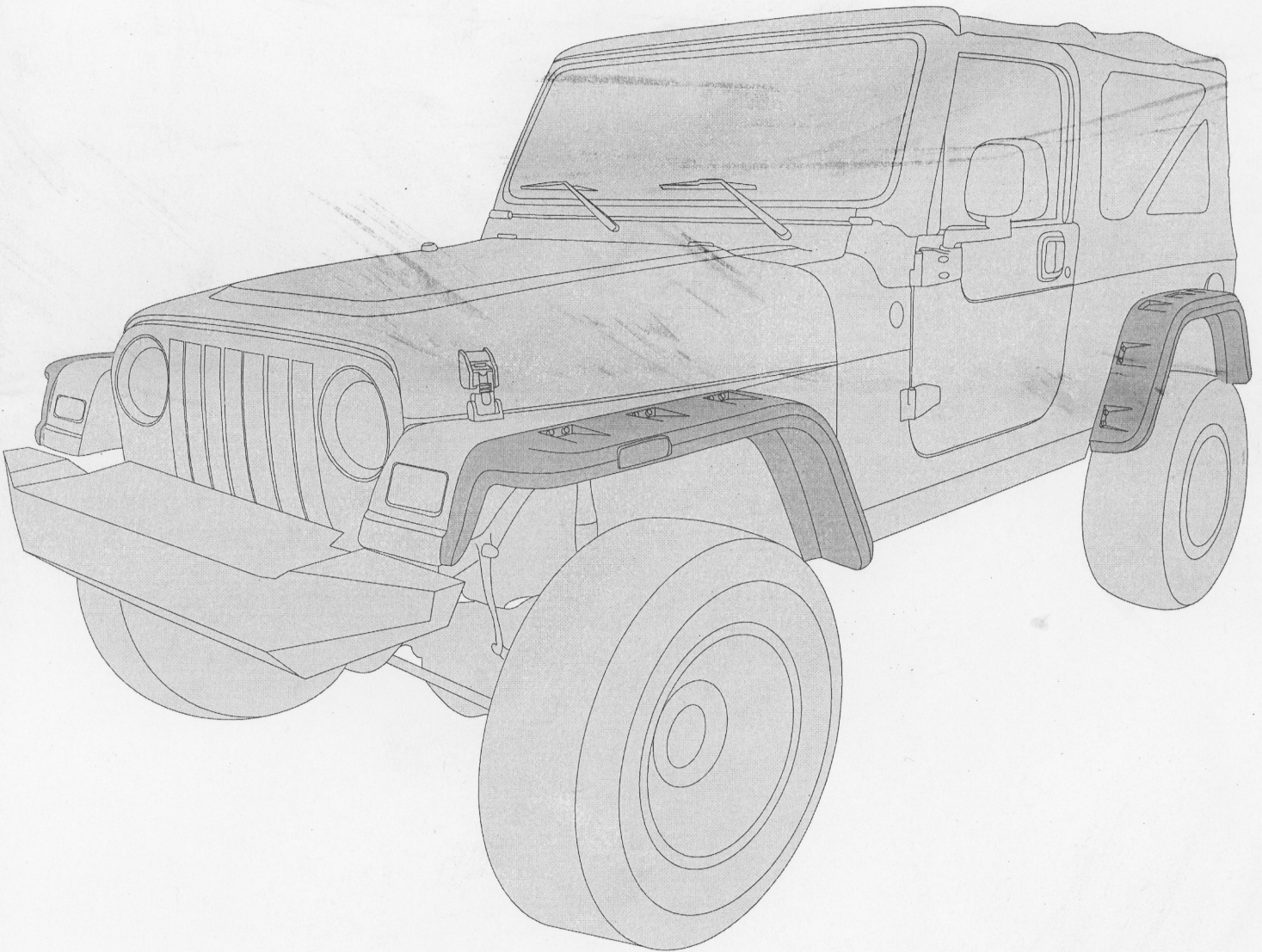


OMIX-ADA, Inc.

460 HORIZON DR. SUITE 100 | SUWANEE, GA 30024 | PHONE: 770-614-6101 | FAX: 770-614-6069 | info@omix-ada.com

Part 11640.30

TJ Hurricane Fender Flares

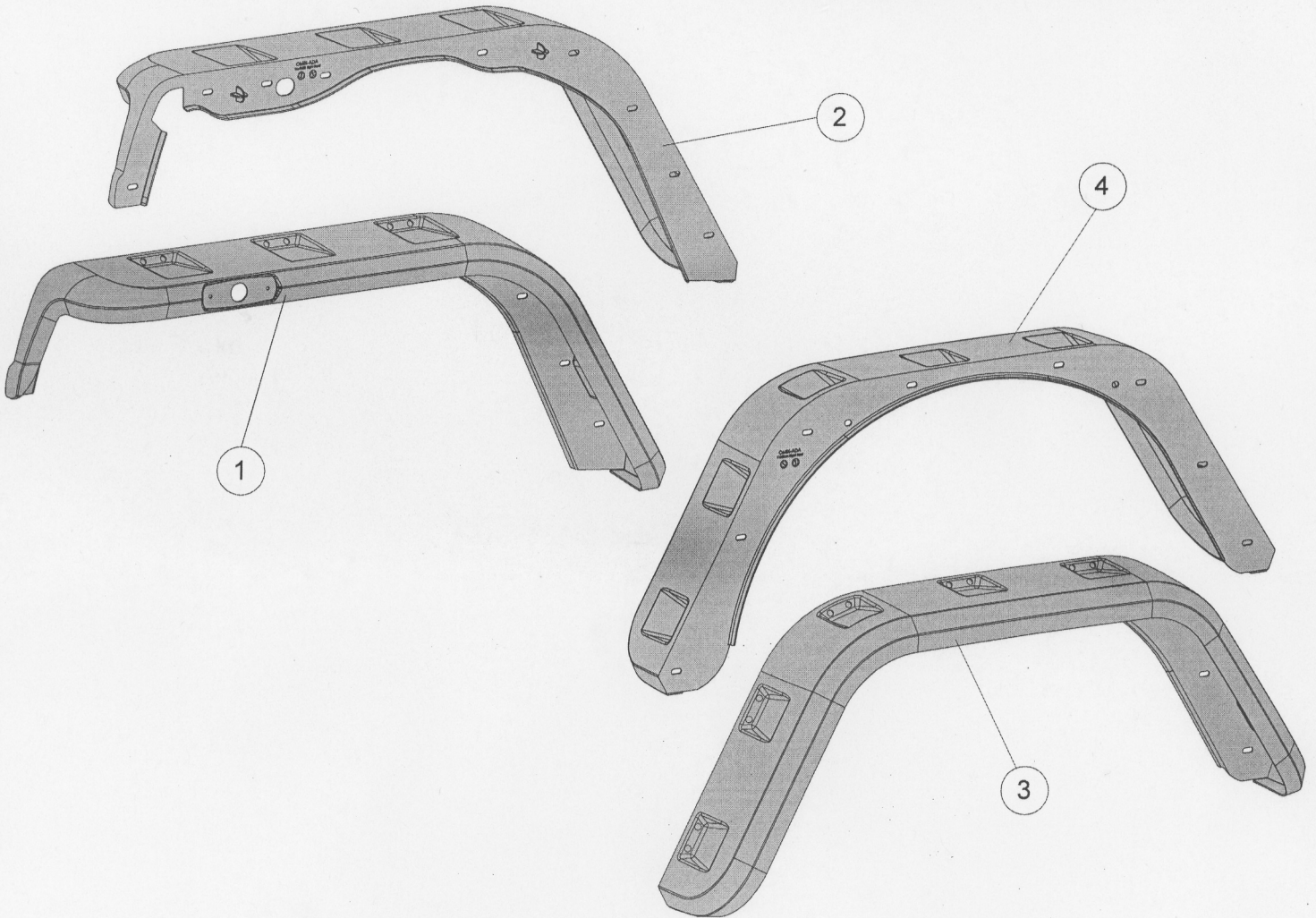




OMIX-ADA, Inc.

460 HORIZON DR. SUITE 100 | SUWANEE, GA 30024 | PHONE 770-614-6101 | FAX 770-614-6069 | info@omix-ada.com

TJ Hurricane Fender Flares



Components

- | | |
|--------------------|-----|
| 1. Front Flare, LH | (1) |
| 2. Front Flare, RH | (1) |
| 3. Rear Flare, LH | (1) |
| 4. Rear Flare, RH | (1) |

OMIX-ADA® TECHNICAL SUPPORT
PHONE M-F 8am - 5pm EST 1-800-449-6649 | EMAIL: techsupport@omix-ada.com
FOR WARRANTY INFORMATION VISIT: www.Omix-Ada.com

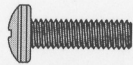


OMIX-ADA, Inc.

460 HORIZON DR. SUITE 100 | SUWANEE, GA 30024 | PHONE: 770-614-6101 | FAX: 770-614-6069 | info@omix-ada.com

TJ Hurricane Fender Flares

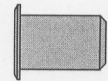
Hardware Components



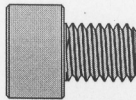
M4 Phillips Head Screw (4)



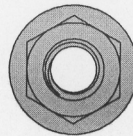
M4 Flange Nut (4)



M5 Flanged Rivet Nut (12)



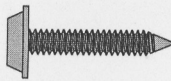
M8 Socket Cap Screw (56)



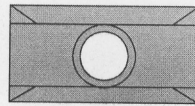
M8 Flange Nut (56)



Butt Connector (8)



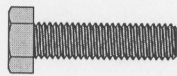
M3.9 Flange Head Self-Tapping Screw (22)



M3.9 Plastic T-Slot Nut (22)



Side Marker Housing (1)



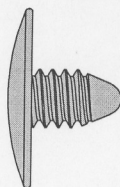
M5 Hex Bolt (12)



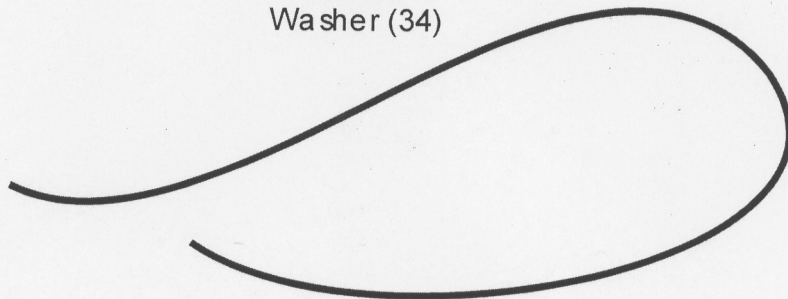
M5 Flat Washer (34)



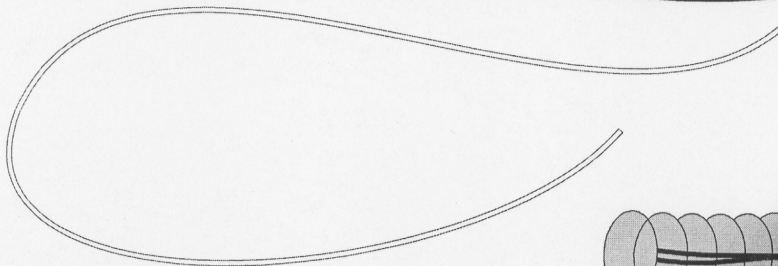
Edge Trim (1 Roll)



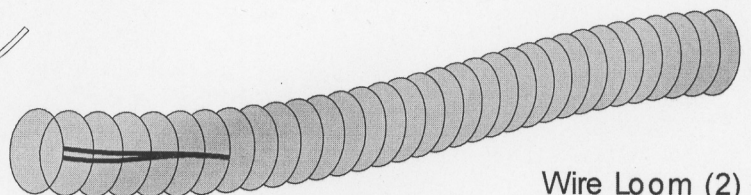
Shield Retainer (6)



Black Wire Extension (2)



White Wire Extension (2)



Wire Loom (2)

Rugged
Ridge



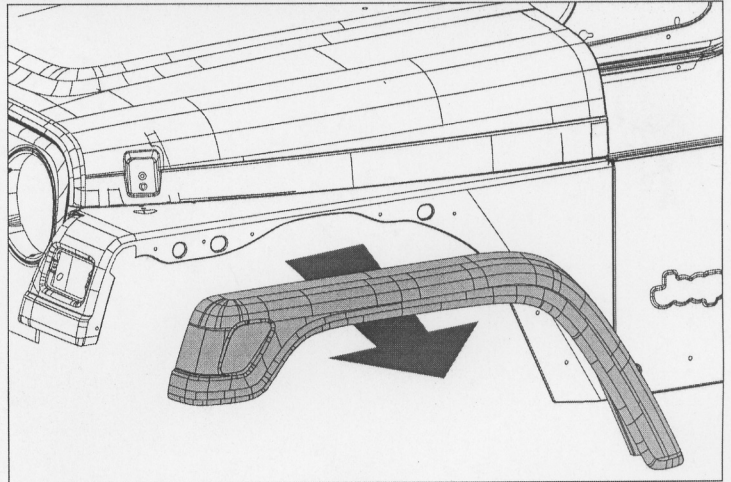
Alloy
USA

OMIX-ADA, Inc.

460 HORIZON DR. SUITE 100 | SUWANEE, GA 30024 | PHONE 770-614-6101 | FAX 770-614-6069 | info@omix-ada.com

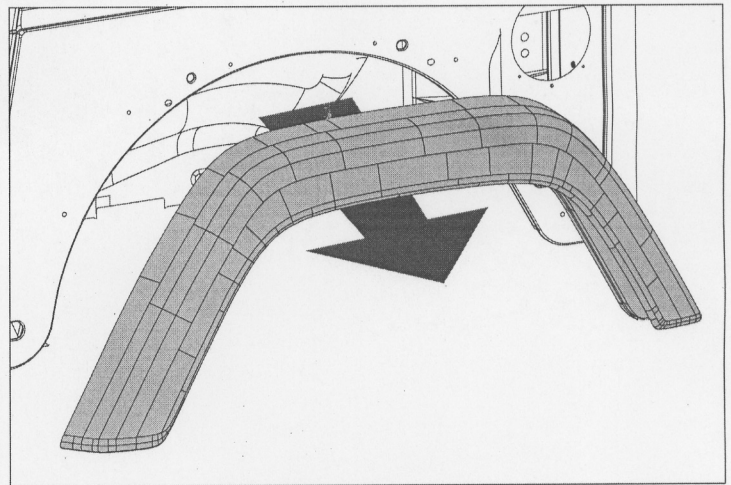
TJ Hurricane Fender Flares

1. Disconnect side marker lights, twisting bulb counter-clockwise.
2. Remove front fenders, retaining all hardware.

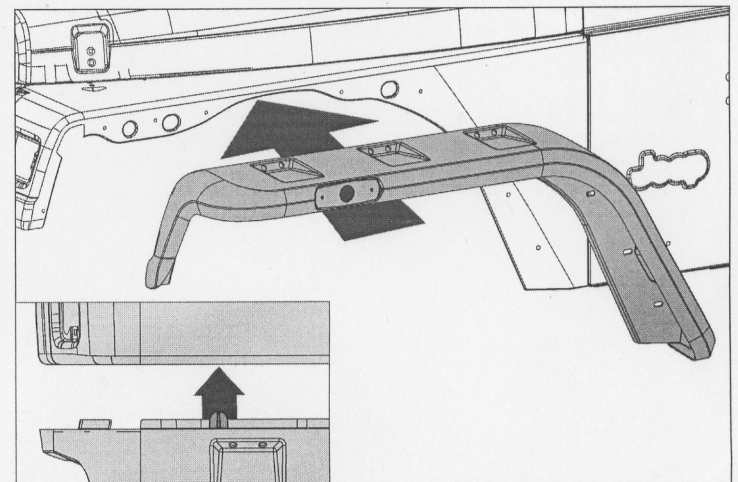


3. Remove rear fenders and retain all hardware.

NOTICE Removing or pulling back rear fender liner is necessary for this step. Shield retainers may need to be removed.



4. Clean body panels and body sides of fenders before installation.
5. Begin to install front fenders by first lining up placement pins with body panel holes.
6. Attach front fenders using M3.9 Flange-Head Screw and T-slot Nut for front holes and M5 Hex Bolt, Washer, and Rivet (if needed) in rear holes. Do not fully tighten.





OMIX-ADA, Inc.

460 HORIZON DR. SUITE 100 | SUWANEE, GA 30024 | PHONE: 770-614-6101 | FAX: 770-614-6069 | info@omix-ada.com

TJ Hurricane Fender Flares

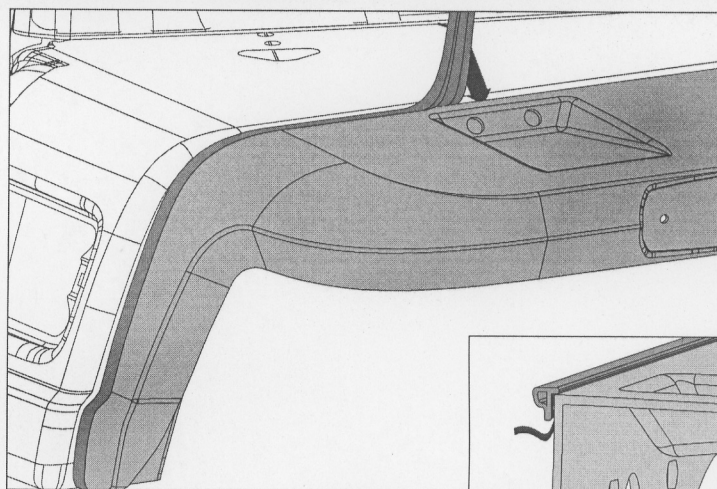
7. Peel 2-3 inches of red tape covering back away from trim edge.

8. Starting with the front of the flare, begin to install Edge Trim to top edge of flare with adhesive side contacting inside edge of flare.

9. Gradually remove red tape covering while pressing remaining Edge Trim into place. Tighten bolts accordingly as trim is installed

NOTICE Do not stretch Edge Trim during application.

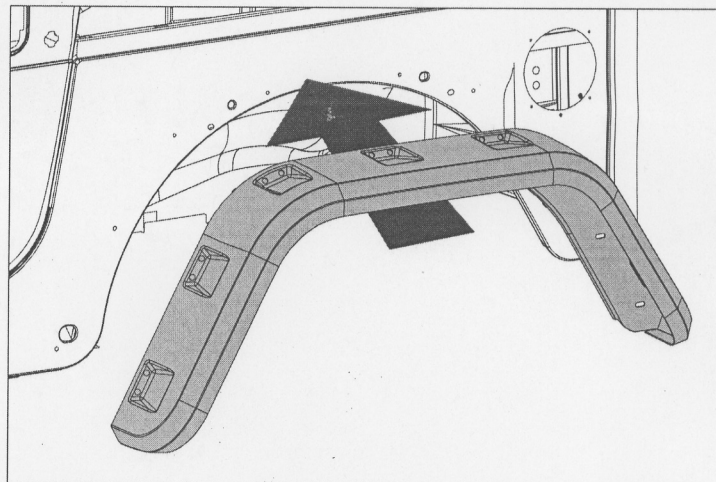
10. Trim excess Edge Trim from ends of each flare.



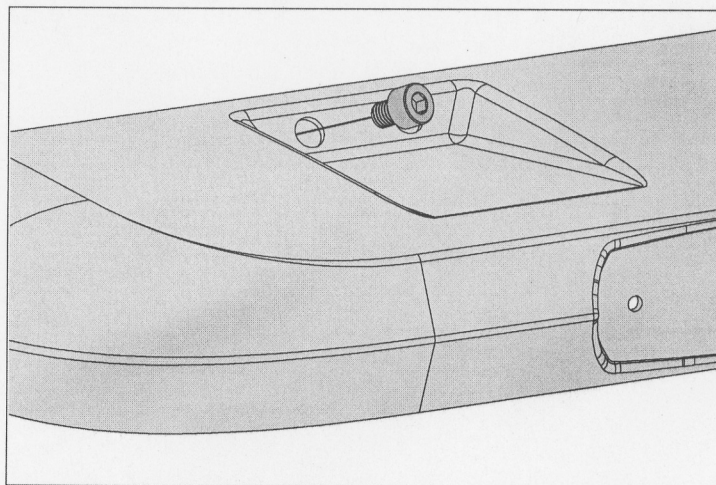
11. Loosely attach Rear Flares using M3.9 Flange-Head Screw and T-slot Nut for front holes and M5 Hex Bolt, Washer, and Rivet (if needed) in rear holes.

12. Repeat trim installation for rear flares.

NOTICE If any shield retainers were removed during installation, replace them now.



13. Install M8 Socket Cap Screws and Flange Nuts to side wall of pockets and tighten fully.



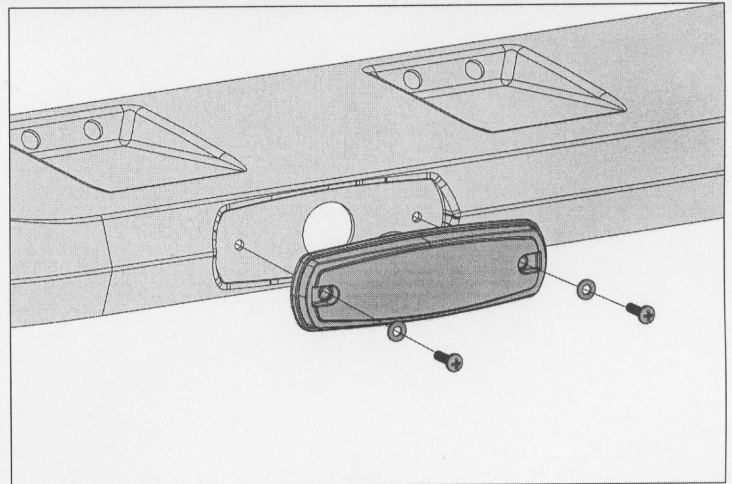


OMIX-ADA, Inc.

460 HORIZON DR. SUITE 100 | SUWANEE, GA 30024 | PHONE: 770-614-6101 | FAX: 770-614-6069 | info@omix-ada.com

TJ Hurricane Fender Flares

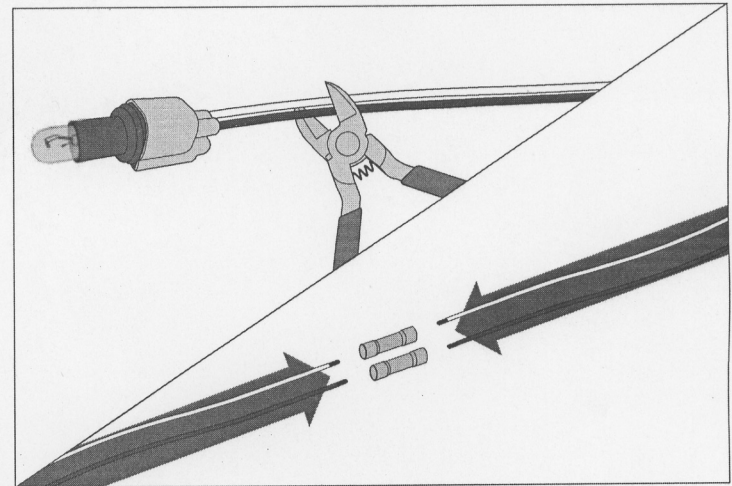
14. Install Side Marker Housing using M4 Phillips Head Screw and Flange Nut. Tighten fully.



15. Cut bulb wire 2" from base of bulb fixture. Strip ¼" from the ends of each wire.

16. Splice bulb wires with supplied black and white Extension Wire and Butt Connectors.

17. Wrap exposed wire with Wire Loom.



18. Reattach side marker bulb through large hole in fender to Side Marker Housing. Twist clockwise to secure.

