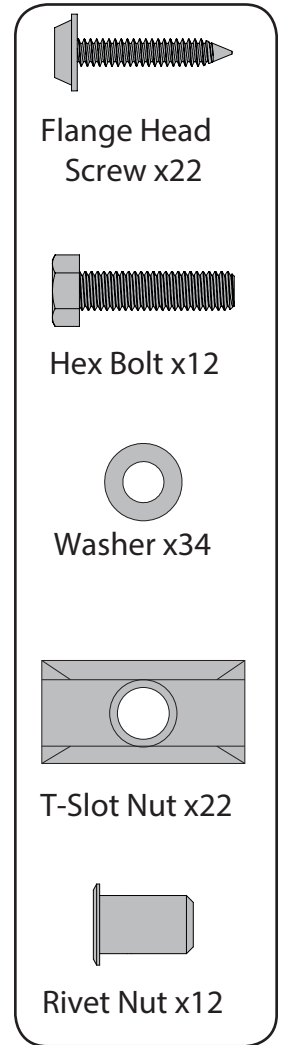
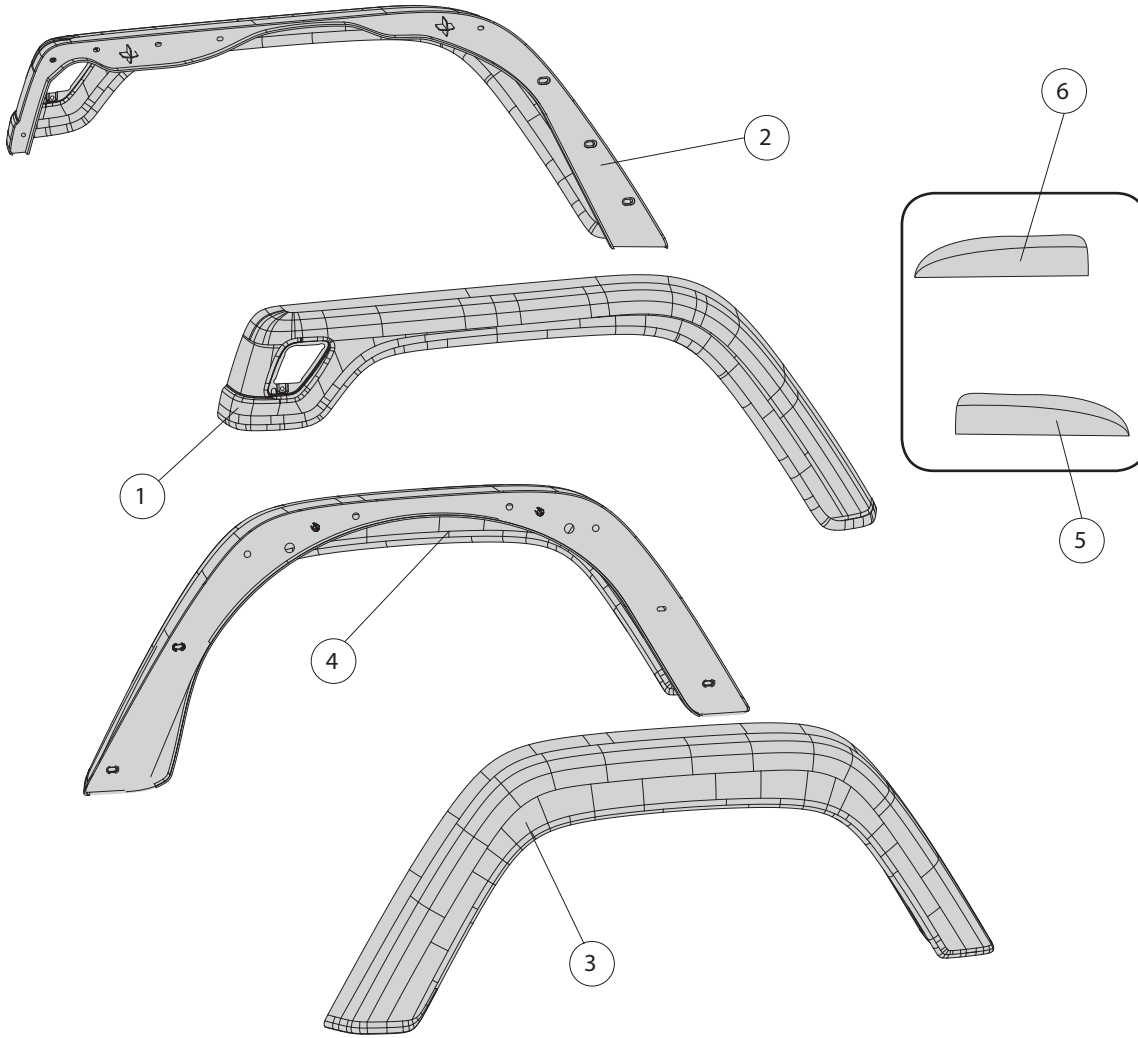




97-06 Wranler 4 Piece Fender Flare Kit

TJ Replacement Fender Flares

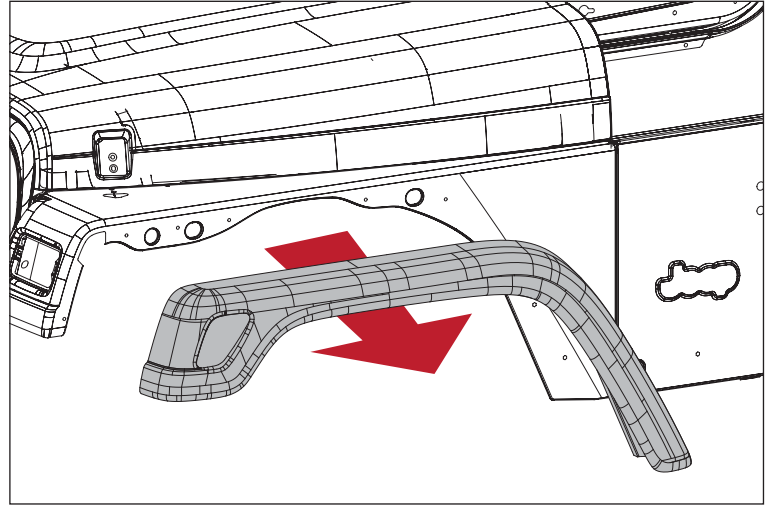


Components

- 1. Front Flare, LH (1)
- 2. Front Flare, RH (1)
- 3. Rear Flare, LH (1)
- 4. Rear Flare, RH (1)

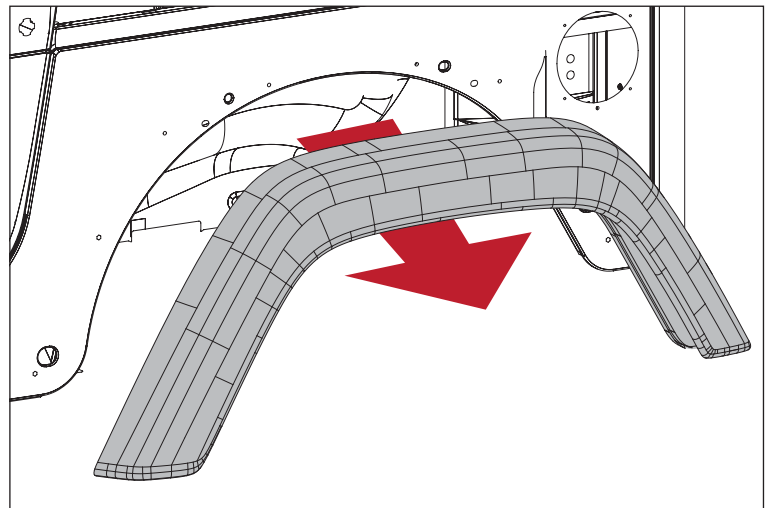
TJ Replacement Fender Flares

1. Disconnect side marker lights, twisting bulb counter-clockwise.
2. Detach all hardware and remove front flares.

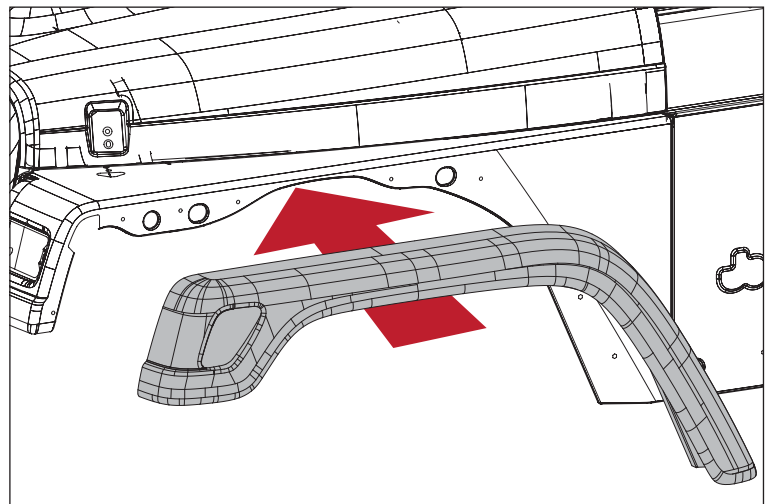


3. Detach all hardware and remove rear flares.

NOTICE Removing or pulling back rear fender liner is recommended for this step. Shield retainers may need to be removed.



4. Ensure body panels are clean before installation.
5. Install front flares by first lining up placement pins with body panel holes.
6. Attach using Flange-Head Screw and T-slot Nut for front holes and Hex Bolt, Washer, and Rivet Nut (if needed) in rear holes.
7. Fully tighten all bolts.



TJ Replacement Fender Flares

8. Install Rear Flares using Flange-Head Screw and T-slot Nut for front holes and Hex Bolt, Washer, and Rivet Nut (if needed) in rear holes.

9. Tighten all bolts and replace rear fender liner.

NOTICE If any shield retainers were removed during installation, replace them now.

10. Reinstall side marker light by twisting clockwise into casing.

