

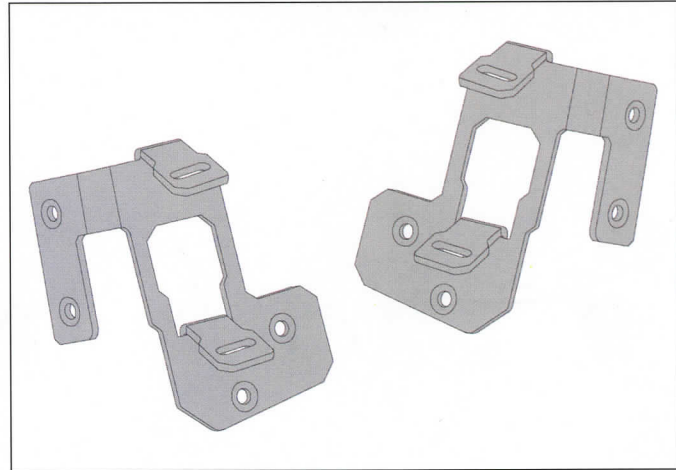
## Windshield Dual Light Bracket

### Contents:

- Bracket, Left Hand (1)
- Bracket, Right Hand (1)

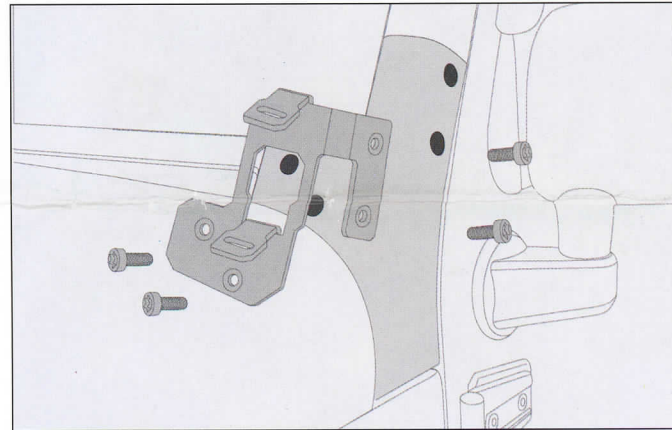
### Tools:

- T40 Torx Bit

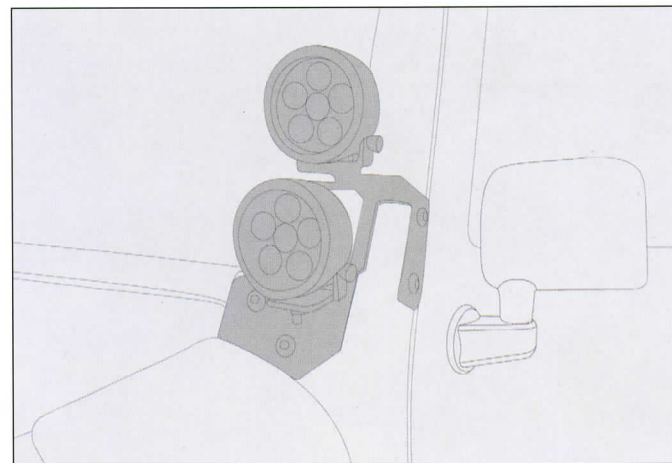


1. Unscrew factory hardware from front and side of windshield bracket.

2. Place bracket and secure using factory screws.



3. Install LED lights of choosing.



### OMIX-ADA® TECHNICAL SUPPORT

PHONE: M-F 8am - 5pm EST 1-800-449-6649 | EMAIL: techsupport@omix-ada.com

FOR WARRANTY INFORMATION VISIT: [www.Omix-Ada.com](http://www.Omix-Ada.com)