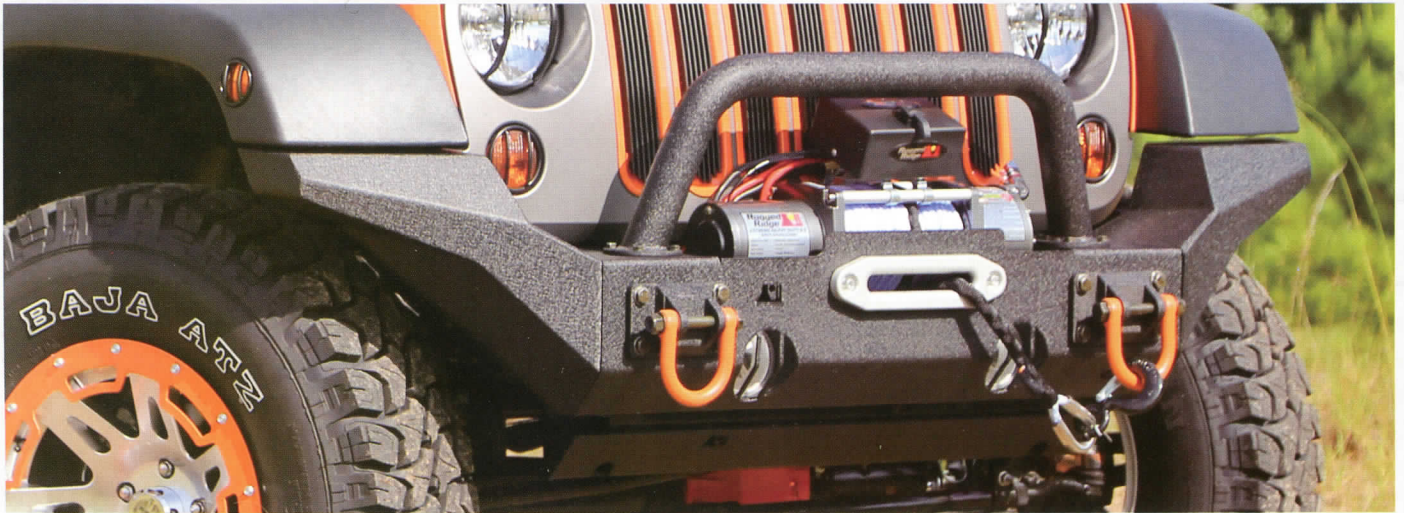


XHD MODULAR BUMPER SYSTEM COMPONENTS GUIDE

A QUICK REFERENCE TO IDENTIFY COMPATIBLE RUGGED RIDGE® XHD ACCESSORIES

JK SPECIFIC

07-14 Wrangler



11540.12 - Standard Ends



11540.18 - RRC Mount



11540.19 - Stainless Standard Ends



11540.21 - Tube Ends



11540.22 - Storage Ends



11540.23 - Stubby Ends



11540.24 - High Clearance Ends



11540.73 - Stainless Tube Ends

For updated applications and new accessories, please visit www.RuggedRidge.com



OMIX-ADA® - 460 HORIZON DRIVE, SUITE 400 - SUWANEE, GA 30024, USA
T: 770.614.6101 - F: 770-614-6069 - INFO@OMIX-ADA.COM

XHD MODULAR BUMPER SYSTEM COMPONENTS GUIDE

A QUICK REFERENCE TO IDENTIFY COMPATIBLE RUGGED RIDGE® XHD ACCESSORIES

CJ-YJ-TJ SPECIFIC

76-06 CJ & Wrangler



11540.42 - Standard Ends



11540.43 - Storage Ends



11540.48 - RRC Mount

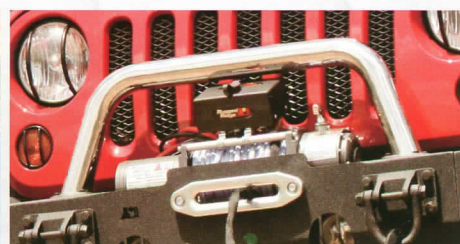
UNIVERSAL



11540.13 - Stinger



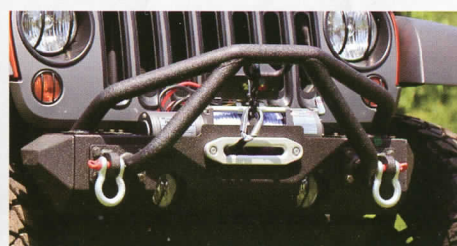
11540.14 - Hoop Over Rider



11540.16 - Stainless Hoop Over Rider



11540.17 - Stainless D-Ring Pair



11540.25 - Double X Striker

For updated applications and new accessories, please visit www.RuggedRidge.com



OMIX-ADA® - 460 HORIZON DRIVE, SUITE 400 - SUWANEE, GA 30024, USA
T: 770.614.6101 - F: 770-614-6069 - INFO@OMIX-ADA.COM



OMIX-ADA, Inc.

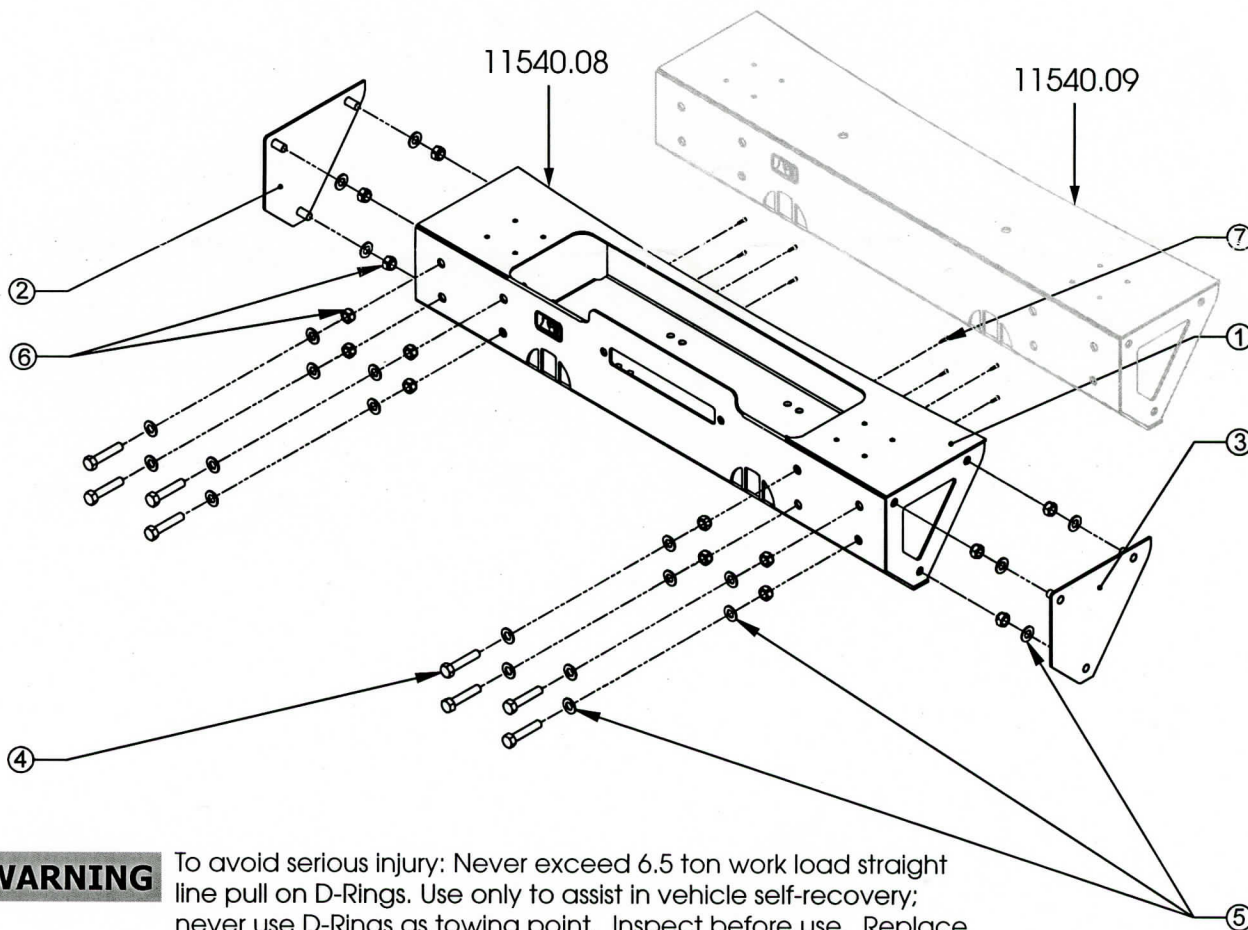
11540.08; 11540.09

460 HORIZON DR. SUITE 400 | SUWANEE, GA 30024 | PHONE: 770-614-6101 | FAX: 770-614-6069 | info@omix-ada.com

07+ Jeep® JK Wrangler XHD Modular Front Bumper (Winch and Non-Winch)

Components:

1. Bumper Center Section	(1)	4. M12 X 60 Bolt	(8)
2. Right End Plate	(1)	5. M12 Washer	(22)
3. Left End Plate	(1)	6. M12 Lock Nut	(14)
		7. Sheet Metal Screws	(8)



WARNING

To avoid serious injury: Never exceed 6.5 ton work load straight line pull on D-Rings. Use only to assist in vehicle self-recovery; never use D-Rings as towing point. Inspect before use. Replace if damaged or distorted.

Read all instructions thoroughly before installation.

OMIX-ADA® TECHNICAL SUPPORT

PHONE: M-F 8am - 5pm EST 1-800-449-6649 | EMAIL: techsupport@omix-ada.com

FOR WARRANTY INFORMATION VISIT: www.Omix-Ada.com



OMIX-ADA, Inc.

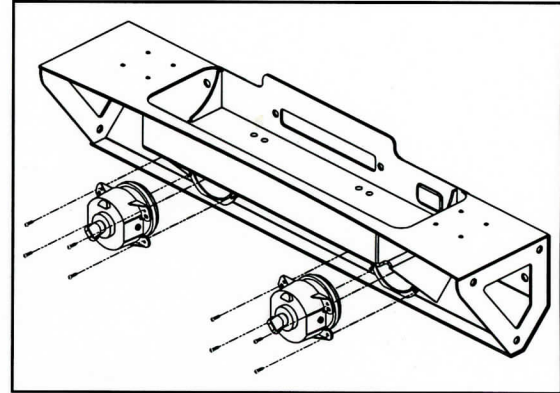


11540.08; 11540.09

460 HORIZON DR. SUITE 400 | SUWANEE, GA 30024 | PHONE: 770-614-6101 | FAX: 770-614-6069 | info@omix-ada.com

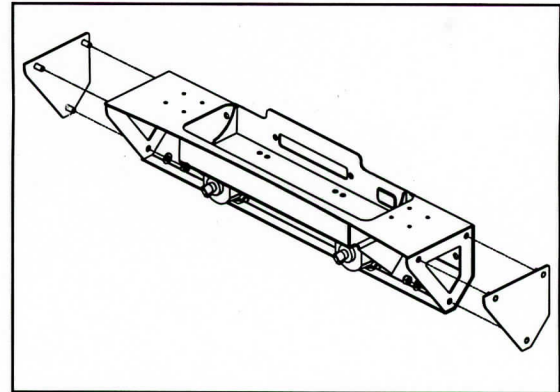
07+ Jeep® JK Wrangler XHD Modular Front Bumper (Winch and Non-Winch)

1. Disconnect fog lights by twisting plug in the rear of fog lights. For newer model Jeeps, squeeze and pull plug to disconnect fog lights.
2. Remove original bumper.
3. Install original fog lights into Center Section from the back. Use the (8) Sheet Metal Screws to secure fog lights.



5. Install bumper ends using (3) 12mm washers and (3) 12mm lock nuts per side. Once all nuts have been started tighten nuts securely.

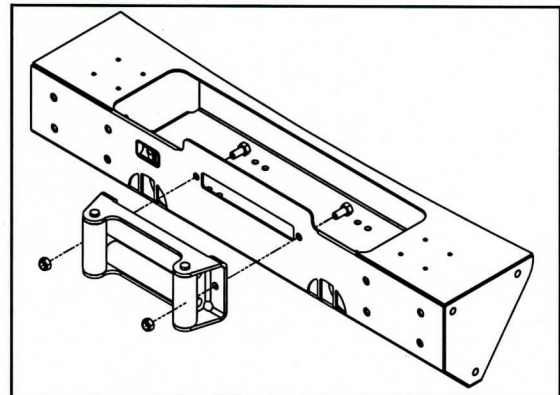
Note: if installing optional ends, such as Stubby Ends (11540.23), High Clearance Ends (11540.24), etc., substitute them for End Plates shown.



FOR 11540.10 ONLY

6. Install Fairlead (not included) to Center Section.

Note: bolts for Fairlead should pass from inside winch cavity, with nuts being installed on outside of Center Section.





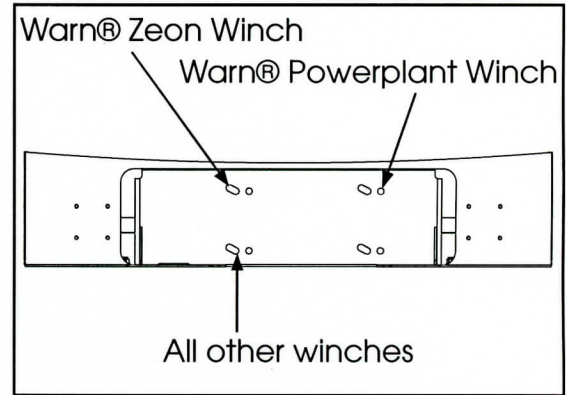
11540.08; 11540.09

460 HORIZON DR. SUITE 400 | SUWANEE, GA 30024 | PHONE: 770-614-6101 | FAX: 770-614-6069 | info@omix-ada.com

07+ Jeep® JK Wrangler XHD Modular Front Bumper (Winch and Non-Winch)

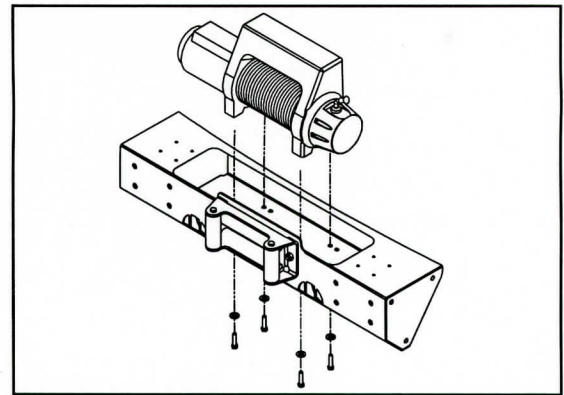
FOR 11540.10 ONLY

7. Different winches may require different mounting holes to be used (see image to the right for a general guide). For the Warn® Powerplant Winch spacers will be needed (part number: 11540.15).

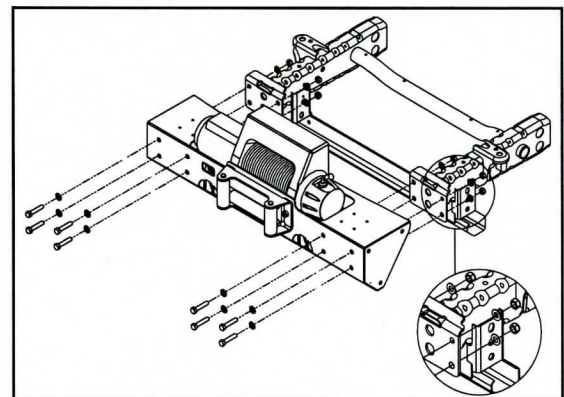


FOR 11540.10 ONLY

8. Prepare winch and vehicle for installation as specified in winch installation instructions. Align mounting holes in bumper with winch mounting holes. It may be helpful to thread winch cable through fairlead before bolting in place. Tighten bolts securely.



9. Place center section of bumper onto the frame rails and then install the 12 mm bolts (8), 12 mm washer (16), and 12 mm Lock Nuts. Do not tighten any fasteners yet. When installing D-Rings, note that the top holes are further apart than the bottom holes.





OMIX-ADA, Inc.

11540.08; 11540.09

460 HORIZON DR. SUITE 400 | SUWANEE, GA 30024 | PHONE: 770-614-6101 | FAX: 770-614-6069 | info@omix-ada.com

12+ Jeep® JK Wrangler XHD Modular Front Bumper (Winch and Non-Winch)

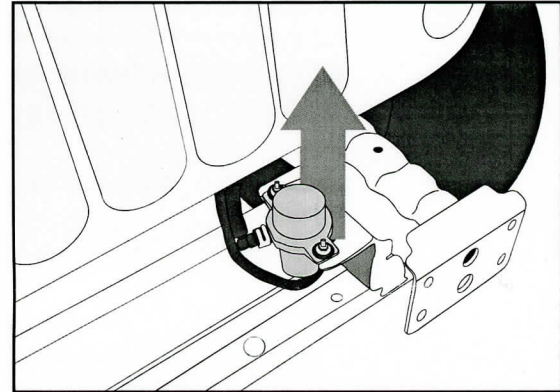
VACUUM PUMP RELOCATION FOR WINCH BUMPER (11540.10)

NOTICE: This section applies only to 2012 and newer JK Wranglers.

Contents:

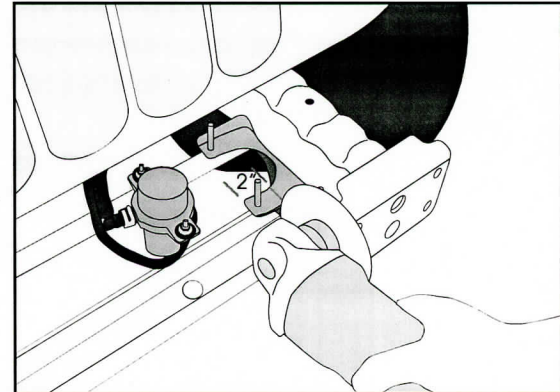
- | | | | |
|----------------------------|-----|-------------------|-----|
| 1. "L" Relocation Bracket | (1) | 4. M6 Flat Washer | (7) |
| 2. "Z" Relocation Bracket | (2) | 5. M6 Nylock Nut | (3) |
| 3. M6-1.0x30 Hex Head Bolt | (3) | | |

1. Remove factory bumper and unplug fog lights. Unbolt and remove factory vacuum pump. Save factory M6 nuts, they will be reused later.



2. Remove front tab from mounting bracket. Cut should be made 2 inches from the end.

3. Spray exposed metal with rust-protecting black spray paint.





OMIX-ADA, Inc.

11540.08; 11540.09

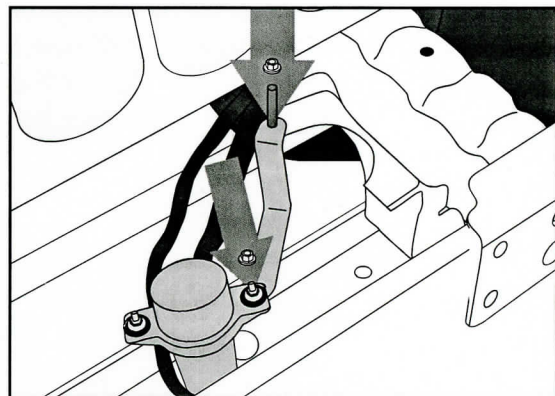
460 HORIZON DR. SUITE 400 | SUWANEE, GA 30024 | PHONE: 770-614-6101 | FAX: 770-614-6069 | info@omix-ada.com

12+ Jeep® JK Wrangler XHD Modular Front Bumper (Winch and Non-Winch)

4. Disconnect hose retainer clips, and remove zip ties holding air lines together to allow for easier movement of air lines.

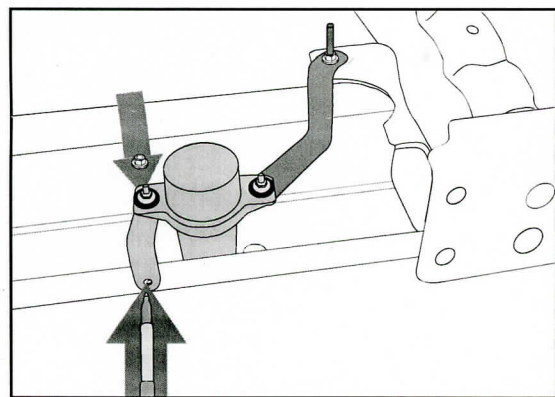
5. Attach shorter end of "Z" bracket to rear factory mounting stud using factory nut removed in step #1.

6. Bolt pump to "Z" bracket using M6 hex bolt, washers, and Nylock nut. Rotate pump so that it sits inside lower cross member.



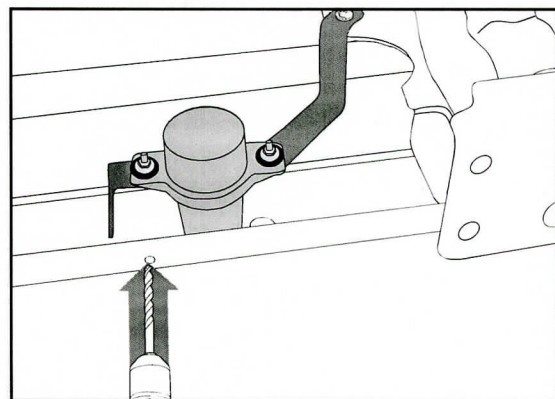
7. Attach short side of "L" bracket to pump using M6 hex bolt, washer, and Nylock nut.

8. With pump centered, mark mounting hole on cross member.



9. Drill mounting hole in cross member with 1/4" drill bit.

10. Spray exposed metal with rust-protecting black spray paint.





OMIX-ADA, Inc.

11540.08; 11540.09

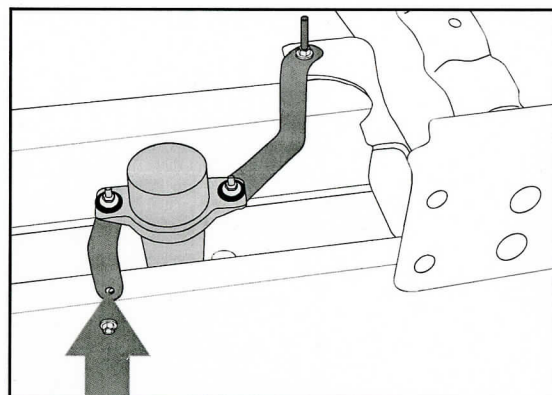
460 HORIZON DR. SUITE 400 | SUWANEE, GA 30024 | PHONE: 770-614-6101 | FAX: 770-614-6069 | info@omix-ada.com

12+ Jeep® JK Wrangler XHD Modular Front Bumper (Winch and Non-Winch)

11. Secure "L" bracket to outside of lower cross member using M6 hex bolt, washer, and Nylock nut.

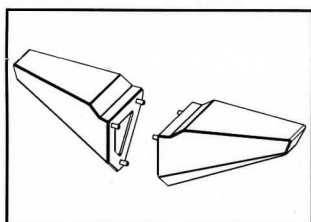
12. Inspect all air and wire lines for contact with frame. If needed, zip ties can be used to reposition lines.

13. Install XHD Bumper Base following previous instructions in this manual. Note: reconnect fog lights before attaching D-Rings and Bumper Base to frame.

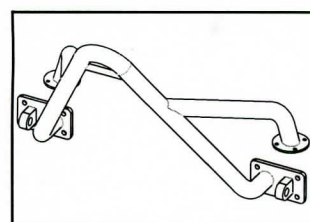


Ask your retailer about additional accessories for your Modular XHD Bumper system!

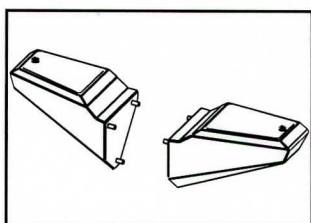
11540.12 - Standard Bumper Ends, Black
11540.19 - Standard Bumper Ends, Stainless Steel



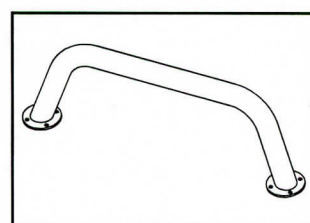
11540.13 - Stinger, Black



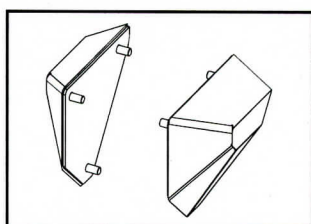
11540.22 - Storage Ends, Black



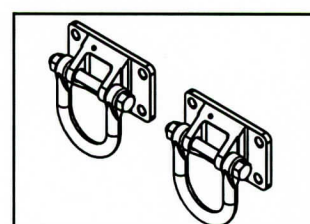
11540.14 - Hoop Over-Rider, Black
11540.16 - Hoop Over-Rider, Stainless Steel



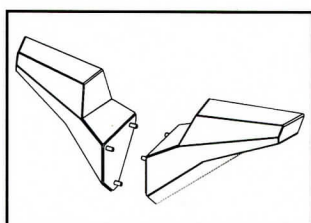
11540.23 - Stubby Ends, Black



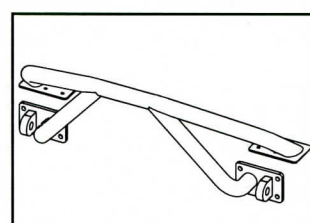
11540.20 - D-Ring, Black Pair



11540.24 - High Clearance Ends, Black



11540.25 - Double X Striker



OMIX-ADA® LIMITED WARRANTY

If your product is purchased from Omix-Ada® and is not separately warranted by either Omix-Ada® or the manufacturer, then this Limited Warranty gives you specific legal rights and is the only warranty OMIX-ADA® makes in connection with your purchase.¹ OMIX-ADA® neither assumes nor authorizes any manufacturer, vendor, retailer, other person or entity to assume for it any other obligation or liability in connection with its products or this Limited Warranty.

What Is Covered? Subject to the terms, exclusions and limitations herein and with respect only to products first sold in the United States, OMIX-ADA® warrants to the initial retail purchaser (“purchaser”) only that when installed and used on purchaser’s vehicle according to supplied product installation instructions and/or warnings, purchaser’s OMIX-ADA® product shall be free of defects in material and workmanship for three (3) years. This Limited Warranty shall be measured from the date of initial retail purchase, extends only to the initial retail purchaser and is not transferable. ALL OTHER EXPRESS OR IMPLIED WARRANTIES ARE HEREBY DISCLAIMED, INCLUDING BUT NOT LIMITED TO IMPLIED WARRANTIES OR MERCHANTABILITY OR FITNESS FOR A PARTICULAR PURPOSE. Your warrantor for these parts is OMIX-ADA® Inc, 460 Horizon Dr., Suite 400 Suwanee, GA 30024(770/614-6101). OMIX-ADA® reserves the right to: (a.) require proof of purchase as a condition of this Limited Warranty-*please use warranty registration card*, (b.) make future revisions to this product or it’s Limited Warranty without obligation to conform existing product or provide purchaser with prior notice.

What Is Not Covered? Your OMIX-ADA® Limited Warranty does not cover damage or claims to any component, vehicle or person other than the OMIX-ADA® product purchased. Your Limited Warranty does not cover damage or claims to any component, vehicle or person OMIX-ADA® determines to have been damaged by or subjected to:

- Inadequate mounting or installation, water, alteration, modification, misuse or failure to maintain.
- Damage in any part attributable to: (a.) vehicle systems or components (including electronic stability control) or (b.) combination with non- OMIX-ADA® products.
- Normal wear and tear/product deterioration.
- Scratches or defects in product finishes or damage due to shipping.
- Accidents, impact by rocks, trees, obstacles or other aspects of the use environment.
- Theft, vandalism or other negligent or intentional damage.

Remedy Limited to Repair / Replacement. The exclusive remedy provided for products covered under this Limited Warranty shall be, upon OMIX-ADA®’s inspection and at OMIX-ADA®’s option, either repair, replacement (with OMIX-ADA® supplied parts) or refund for the product purchase price. Any parts repaired or replaced will be considered part of the original product and will not extend the term of Limited Warranty. Customers requesting warranty consideration should first contact the independent distributor selling your product to obtain a Returned Goods Authorization number. All removal, shipping and installation costs are customer s responsibility. If a replacement part is needed before your part can be returned, you

must first purchase the replacement part. Then, if OMIX-ADA® determines the part warrantable, you will be credited the purchase price of that part.

Other Limitations - Exclusion of Damages - Your Rights Under State Law

- In consideration of the purchase price paid, neither OMIX-ADA® nor any independent distributor are responsible for any loss of use or time, rental costs, or for any incidental, consequential, punitive or other damages (whether arising in tort or contract) you may have or incur in connection with your vehicle, or your OMIX-ADA® product. Your exclusive remedy hereunder is, at OMIX-ADA®'s option, repair/replacement or refund as described above.

- This Limited Warranty gives you specific rights. You may also have other rights that vary from state to state. For example, while all implied warranties are disclaimed herein, any implied warranty required by law is limited to the duration and other enforceable terms of Limited Warranty described above. Some states do not allow limitations of how long an implied warranty lasts and /or do not allow the exclusion or limitation of incidental or consequential damages, so the limitations and exclusions herein may not apply to you.

¹ See exclusive Limited Warranty Terms included with Rugged Ridge® suspension, Winches, wheels, floor liners, Alloy™ axles/gears and other OMIX-ADA® products.

© OMIX-ADA®.Inc. 11. 19. 2009. All rights reserved.