

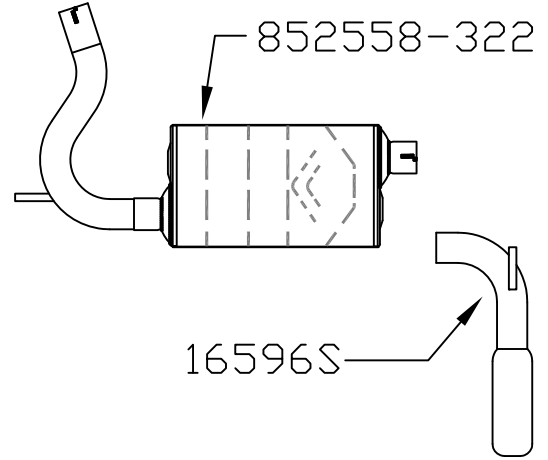


FORCE II

409S, Stainless Steel

Installation diagram for:
SYSTEM #817693
2012-2014 JEEP WRANGLER JK
2 & 4 DOOR · 3.6L V-6

PACKING LIST			
Qty	Description	Part #	
1	Muffler	852558-322	
1	Tailpipe Assembly	16596S	
1	Parts Kit	PK492	
2	Clamps	MC250BS	
1	Hanger Keeper	HW502	



09/19/13

Removal:

- 1) Raise the vehicle up on a hoist or rack to working height. If you do not have access to a hoist or rack raise the vehicle and support securely with jack stands.
- 2) Loosen the band clamp on the inlet side of the muffler (left side).
- 3) Support the muffler with a stand, and separate the two hanger rods from the rubber mounts. Remove the muffler assembly.

Installation:

- 1) Before installing anything, prep the clamps supplied in the hardware kit by removing the nuts, and applying a thick lubricant such as white grease or anti-seize to the threads.
- 2) Place a clamp on the muffler inlet and outlet and tighten enough to hold in place, but still allow for adjustment.
- 3) Slip the muffler inlet onto the factory pipe and support with a stand.
- 4) Install the tailpipe into the muffler outlet and then engage the two hanger rods with the rubber mounts. Install the push-on hanger keeper onto the left side hanger rod to prevent it from slipping out of the rubber mount.
- 5) Adjust the position of the muffler and pipe to provide a satisfactory fit. Tighten down all clamped connections securely.