



Installation Guide for the TJ Transfer Case Lowering Kit

INSTALLATION GUIDE

Part #001900100 (TJ 97-02, Skin Packed)

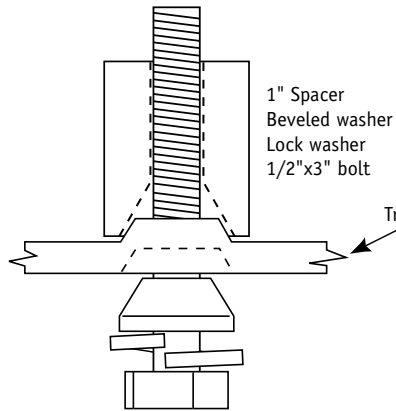
Part #001900190 (TJ 97-02, Boxed)

Part #001900103 (TJ 03-06, Skin Packed)

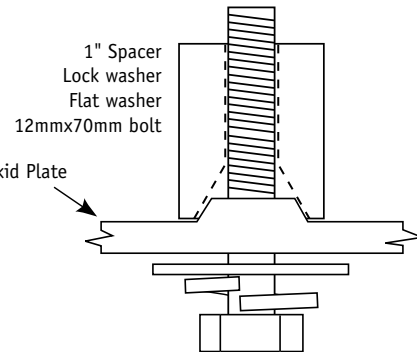
Part #001900193 (TJ 03-06, Boxed)

1. 1997-2002 TJ Wranglers- Install the six spacers (1.25"OD x 1.25" tall) between the frame and the cross member with the flat end of the spacer up against the frame. The 1/2" lock washer goes onto the 1/2" x 3" bolt first followed by the tapered washer with the flat end of the tapered washer against the lockwasher.
2. Put the tires and wheels back on if needed and lower the TJ to the ground.

1997-2002 TJ Wrangler Applications



2003-Current TJ Wrangler Applications



1. 2003-current TJ Wranglers- Install the six spacers (1.25"OD x 1.25" tall) between the frame and the cross member with the flat end of the spacer up against the frame. The 1/2" lock washer goes onto the M12 x 1.75 x 70 bolt first followed by the 1/2" flat washer.
2. Put the tires and wheels back on if needed and lower the TJ to the ground.